



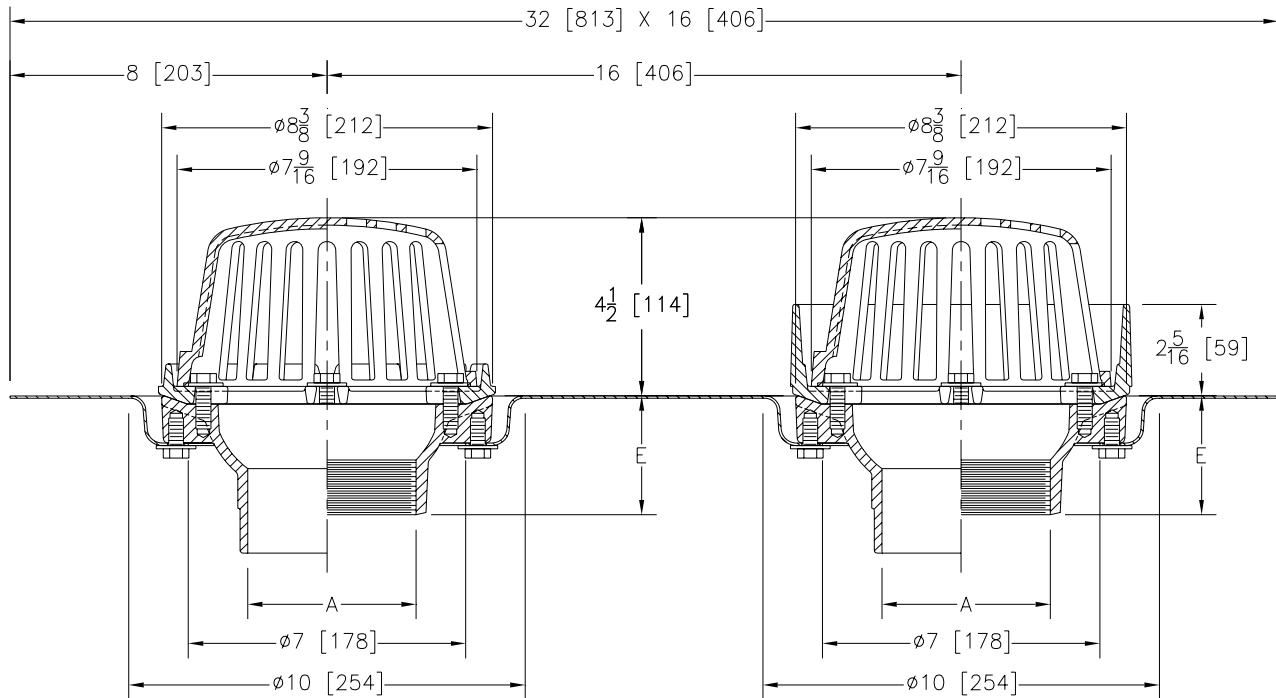
Z165

8 3/8 [213] DIAMETER COMBINATION MAIN ROOF AND OVERFLOW DRAIN WITH LOW SILHOUETTE DOMES AND DOUBLE TOP-SET® DECK PLATE

SPECIFICATION SHEET

TAG _____

Dimensional Data (inches and [mm]) are Subject to Manufacturing Tolerances and Change Without Notice



A- Pipe Size In.	Approx. Wt. Lbs. [kg]	Dome Open Area Sq. In. [cm ²]
2-3-4 [51-76-102]	28 [13]	43 [277]

ENGINEERING SPECIFICATION: ZURN Z165

8 3/8 [213] Diameter roof drain and overflow drain, Dura-Coated cast iron bodies with combination membrane flashing clamp/gravel guards, double Top-Set® deck plate, and low silhouette cast iron domes.

OPTIONS (Check/specify appropriate options)

PIPE SIZE

- 4 [102]
- 3 [76]
- 2 [51]
- 2-3-4 [51-76-102]

(Specify size/type) OUTLET

- ___ IP Threaded
- ___ IP Threaded
- ___ IP Threaded
- ___ NH No-Hub

'E' BODY HT. DIM.

- 3 [76]
- 2 3/4 [70]
- 2 7/16 [62]
- 4 [102]

PREFIXES

- ___ Z D.C.C.I. Body with Dome*
- ___ ZA D.C.C.I. Body with Aluminum Dome
- ___ ZRB D.C.C.I. Body with Plain Bronze Dome

SUFFIXES

- ___ -AR Acid Resistant Epoxy Coated Finish
- ___ -BS Bronze Mesh Screen Over Dome
- ___ -E Static Extension 1 thru 4 [102] (Specify Ht.)
- ___ -G Galvanized Cast Iron
- ___ -SC Secondary Clamping Collar
- ___ -SS Stainless Steel Mesh Screen Over Dome
- ___ -VP Vandal Proof Secured Top
- ___ -XJ Vertical Expansion Joint (See Z190)
- ___ -84 Stainless Steel Perforated Gravel Guard
- ___ -85 Stainless Steel Perforated Extension

REV. D DATE: 4/15/08 C.N. NO. 98374

DWG. NO. 67203 PRODUCT NO. Z165

*REGULARLY FURNISHED UNLESS OTHERWISE SPECIFIED