

# Nail Chart

## Flat Head Nails—Strip

Notched Head Nails: SN325+ SFN2C, FramePro SN325+ SN70, SN325+ SFN2C, FramePro SN325+ SN70, SN325+ SFN2C, FramePro SN325+ SN70, FramePro SN325+ SN70, FramePro SN325+ SN70, FramePro SN325+ SN70, SN70

Clipped Head Nails: SN325+ SFN2C, SN325+ SFN2C, SN325+ SFN2C

Round-Head Nails: FramePro600/700FRH SN60/65, FramePro FRH/SN60/SN65/SN65C, FramePro FRH/SN60/SN65/SN65C, FramePro 650/750 FRH SN65C

17/8 (6d) EC20, 2 (6d) GC21 (GD21), 2 1/8 (7d) EC22, 2 1/4 (7d) GC23 (MD23) 10d short, 2 3/8 (8d) EC24, 2 3/8 (8d) GC24 (GD24), 2 1/2 (8d) (KD25), 2 1/2 (8d) GC25 (GD25), 3 (10d) (MD27), 3 (10d) HC27 (HD27), 3 (10d) KC27 (KD27), 3 1/4 (12d) (HD28), 3 1/4 (12d) KC28 (KD28), 3 1/2 (16d) KC29 (KD29), 3 1/2 (16d) (ND29), 4 (20d) KC31 (Modified SN70 required)

Note: The SN4 drives same nails as the SN70.

Note: Nail codes in parentheses are full round-head nails.

Nail: Smooth shank, flat head  
Gauge: 13 (.092) 11 1/2 (.113) 11 (.120) 10 1/4 (.131) 9 (.148) 8 (.162)

Ring-Shank: FramePro SN325+ SN70, FramePro SN325+ SN70, FramePro SN325+ SN70, SN325+ SN70, FramePro SN325+ SN70

Screw-Shank: FramePro SN325+ SN70, SN325+ SN70, FramePro SN325+ SN70

Notched/Clip Head Nails: SN325+ SN70, SN325+ SN70, SN325+ SN70, SN325+ SN70, SN325+ SN70

Round-Head Nails: FramePro 600/700 FRH SN60/SN65, FramePro FRH SN60/SN65/SN65C

2 (6d) GE21 (GL21), 2 3/8 (8d) GE24 (GL24), 3 (10d) HE27\* (HL27), 2 1/2 (8d) JF25, 3 (10d) HF27\*

\*For soft wood application only when using the FramePro and SN325 +

Nail: Ring shank, flat head  
Gauge: 11 1/2 (.113) 11 (.120)

Nail: Screw shank, flat head  
Gauge: 12 (.106) 11 (.120)

Diagram: HEAD, SHANK, GAUGE

## Metal Connector Nails

SN60MC

1 1/2 (4d) KJ17, 1 1/2 (4d) MD17, 2 1/2 (8d) MD25, 2 1/2 (8d) NN25

Nail: Smooth shank  
Gauge: 11 1/2 (.131) 9 (.148) 8 (.162)

Nail: Ring shank, flat head  
Gauge: 11 1/2 (.113) 11 (.120)

## L Head Flooring Cleat

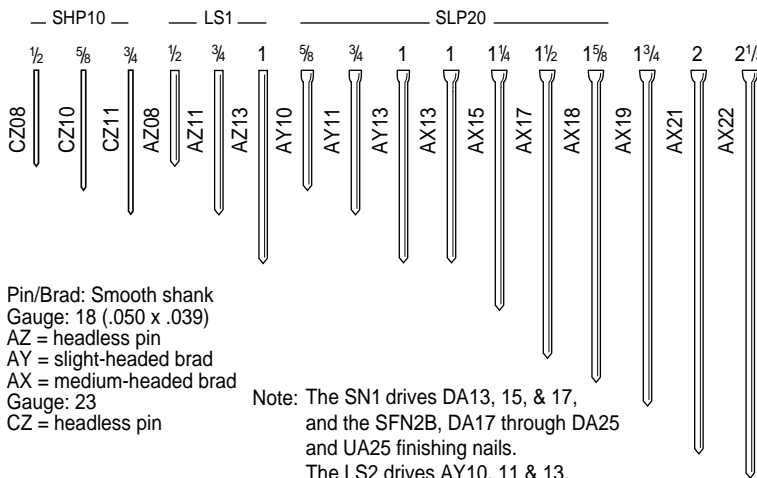
SHF10/15/50

1 1/2 RW17, 1 3/4 RW19, 2 RW21

Nail: "L" Head Flooring Cleat  
Gauge: 16 (.063)

# Strip Nails

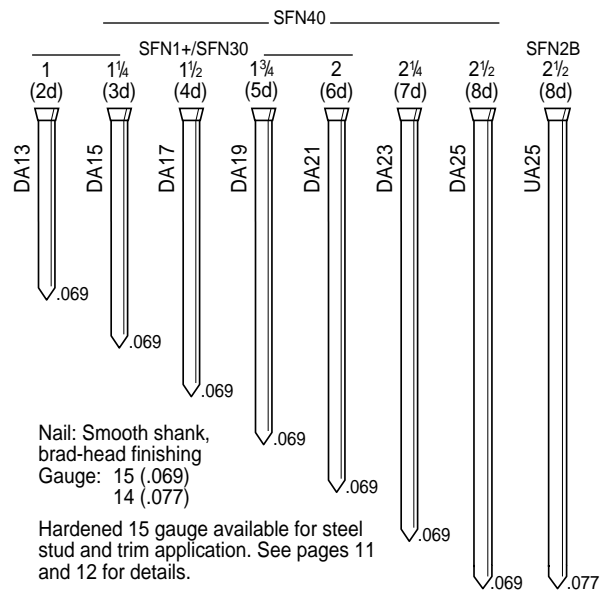
## Pin/Brad Chart



Pin/Brad: Smooth shank  
 Gauge: 18 (.050 x .039)  
 AZ = headless pin  
 AY = slight-headed brad  
 AX = medium-headed brad  
 Gauge: 23  
 CZ = headless pin

Note: The SN1 drives DA13, 15, & 17, and the SFN2B, DA17 through DA25 and UA25 finishing nails.  
 The LS2 drives AY10, 11 & 13.  
 The LS5 drives AX13, 15 & 17.

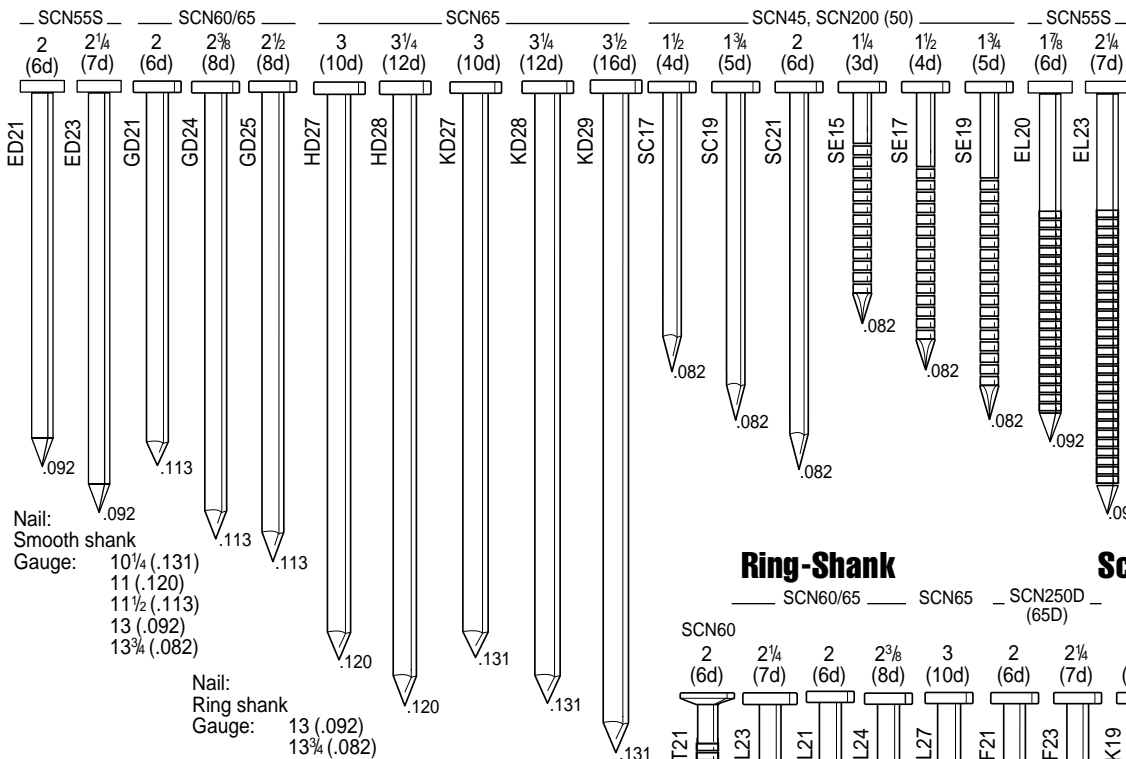
# Finish Nails



Nail: Smooth shank, brad-head finishing  
 Gauge: 15 (.069)  
 14 (.077)

Hardened 15 gauge available for steel stud and trim application. See pages 11 and 12 for details.

# Full Round-Head Coil Nails

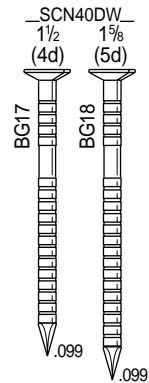


Nail: Smooth shank  
 Gauge: 10 1/4 (.131)  
 11 (.120)  
 11 1/2 (.113)  
 13 (.092)  
 13 3/4 (.082)

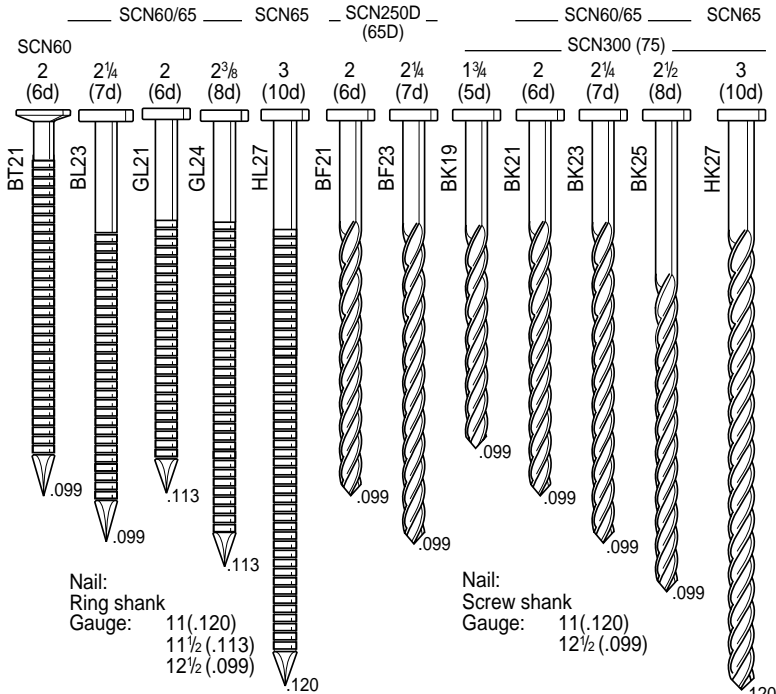
Nail: Ring shank  
 Gauge: 13 (.092)  
 13 3/4 (.082)

Note: BK nails are available in both regular as well as high load coils, except BK19, which comes only in 3000 high load coils.

# Drywall Coil Nails Ring-Shank



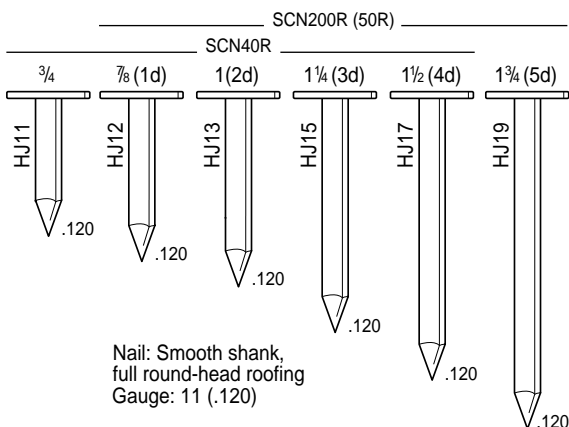
# Ring-Shank



Nail: Ring shank  
 Gauge: 11 (.120)  
 11 1/2 (.113)  
 12 1/2 (.099)

Nail: Screw shank  
 Gauge: 11 (.120)  
 12 1/2 (.099)

# Roofing Coil Nails



Nail: Smooth shank, full round-head roofing  
 Gauge: 11 (.120)