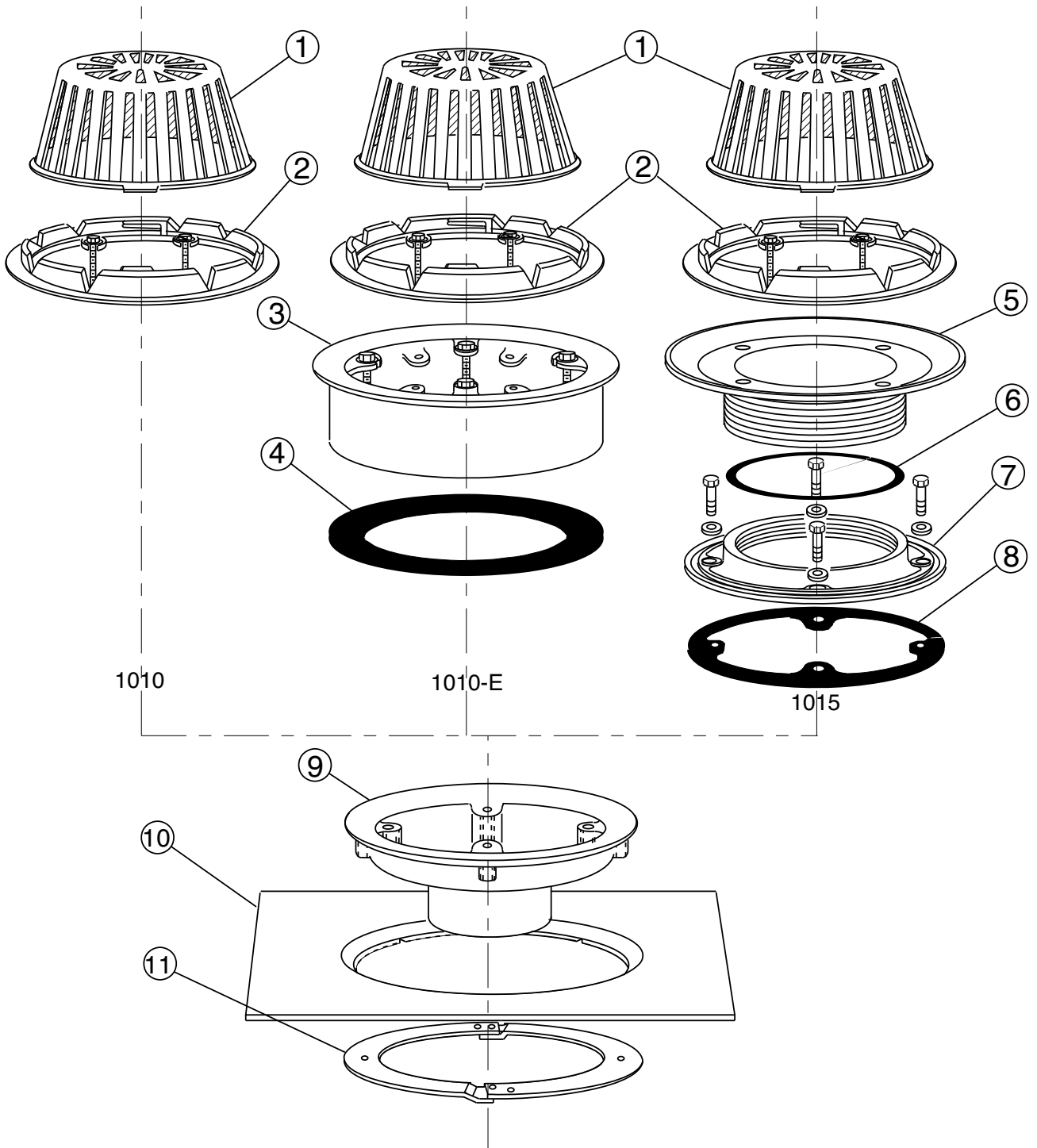




Jay R. Smith Mfg. Co. Wholesaler's Parts Order Number Guide

1010, 1010E, 1015
Cat. Pg 1-08, 1-09

Distributed by: [BEST MATERIALS LLC](http://BESTMATERIALSLLC.com)
Ph: 800-474-7570, 602-272-8128 Fax: 602-272-8014
www.BestMaterials.com Email: Sales@BestMaterials.com



**1001, 1002, 1010,
1010E, 1011, 1015**
Cat Pg 1-07, 1-08, 1-09

**Jay R. Smith Mfg. Co.
Wholesaler's
Parts Order Number Guide**



PART	DESCRIPTION	ITEM NUMBER
The following for use on 2" thru 8" sizes with maximum flange size of 16"		
	Universal Replacement Collar, Poly Dome	1001
	CI Dome for 1001	1001CID
	Universal Replacement Collar	1002
	Vandal Proof Domes	-U
1	Polyethylene Dome	1010D
1	Cast Iron Dome	1010CID
1	Rough Bronze Dome	1010RBD
1	Aluminum Dome	1010AD
1	Galvanized Cast Iron Dome	1010CIDG
1	8" High Cast Iron Dome	1010CID8
	Secured Grate for 1010	1010G
2	Flashing Clamp and Gravel Stop	1010C
	Galv Flashing Clamp and Gravel Stop	1010CG
	Poly Bag of 4 Bolts f/1010 Collar	R-1010
4	Extension Gasket	75094-94-6
3, 4	CI Extension, 1" w/Gasket & Bolts	1010E01
3, 4	CI Extension, 2" w/Gasket & Bolts	1010E02
3, 4	CI Extension, 3" w/Gasket & Bolts	1010E03
3, 4	CI Extension, 4" w/Gasket & Bolts	1010E04
	1011 Collar and Gravel Guard	1011C/GG
6	"O" Ring for Adjustable Extension	76698-94-6
8	Molded Gasket for Adj Extension	75043-94-6
5, 6, 7, 8	Extension Kit Complete	1015EK
	1015 Hardware Kit	1015HWK
9	CI Body, 2" Caulk	1010C02B
9	CI Body, 3" Caulk	1010C03B
9	CI Body, 4" Caulk	1010C04B
9	CI Body, 5" Caulk	1010C05B
9	CI Body, 6" Caulk	1010C06B
9	CI Body, 8" Caulk, 16" Flange	1010C08B-16
9	CI Body, 10" Caulk, 16" Flange	1010C10B-16
9	CI Body, 2" No-Hub	1010Y02B
9	CI Body, 3" No-Hub	1010Y03B
9	CI Body, 4" No-Hub	1010Y04B



**Jay R. Smith Mfg. Co.
Wholesaler's
Parts Order Number Guide**

**1010, 1010E
Cat Pg 1-08**

PART	DESCRIPTION	ITEM NUMBER
9	CI Body, 5" No-Hub	1010Y05B
9	CI Body, 6" No-Hub	1010Y06B
9	CI Body, 8" No-Hub, 16" Flange	1010Y08B-16
9	CI Body, 10" No-Hub, 16" Flange	1010Y10B-16
9	CI Body, 2" Threaded	1010T02B
9	CI Body, 3" Threaded	1010T03B
9	CI Body, 4" Threaded	1010T04B
9	CI Body, 5" Threaded	1010T05B
9	CI Body, 6" Threaded	1010T06B
9	CI Body, 8" Threaded, 16" Flange	1010T08B-16
9	CI Body, 10" Threaded, 16" Flange	1010T10B-16
10	Sump Receiver	1010R
11	Underdeck Clamp w/Trim	1010UDC
	Trim Only f/Underdeck Clamp	R-500
 The following for use on 8" and 10" sizes with 20" DIA flange 		
1	Cast Iron Dome, 8-10" Outlet	1010CID10
1	Aluminum Dome, 8-10" Outlet	1010AD10
1	Rough Bronze Dome, 8-10" Outlet	1010RBD10
2	Flashing Clamp and Gravel Stop	1010C-8
	5/16 x 1 1/4" Bolts f/1010C-8, ea, (5 reqd)	76186-86-6
3	CI Extension, 2" w/Gasket & Bolts	1010E02-20
3	CI Extension, 4" w/Gasket & Bolts	1010E04-20
5, 6, 7, 8	Not Available in 20" Flange	
9	Cast Iron Body, 8" Caulk Outlet	1010C08B
9	Cast Iron Body, 10" Caulk Outlet	1010C10B
9	Cast Iron Body, 8" No-Hub Outlet	1010Y08B
9	Cast Iron Body, 10" No-Hub Outlet	1010Y10B
10	Sump Receiver	1010R8
11	Underdeck Clamp w/Trim	1010UDC8
	Trim Only f/Underdeck Clamp	R-500

PART	DESCRIPTION	ITEM NUMBER
------	-------------	-------------

Fig 1070

1	PVC Standpipe 4 1/2" H x 4" Dia	1070SP-4
1	PVC Standpipe 4 1/2" H x 6" Dia	1070SP-6
1	Flash Clamp only f/4" Dia PVC, CI Npl	1070C-4
1	Flash Clamp only f/6" Dia PVC, CI Npl	1070C-6
1, 2	PVC Standpipe 4" Dia w/Flashing Clamp	1070D
1, 2	PVC Standpipe 6" Dia w/Flashing Clamp	1070D-6
1, 2	CI Standpipe 4" Dia w/Flashing Clamp	1070DCI
1, 2	CI Standpipe 6" Dia w/Flashing Clamp	1070DCI-6

Fig 1080

1	Water Dam Collar, 2" High	1080WDC
1	Water Dam Collar, 3" High	1080WDC3
1	Water Dam Collar, 4" High	1080WDC4
1	Water Dam Collar, 6" High	1080WDC6

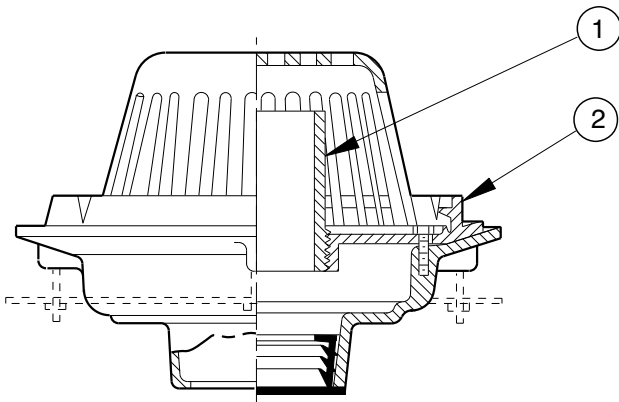


Fig. 1070

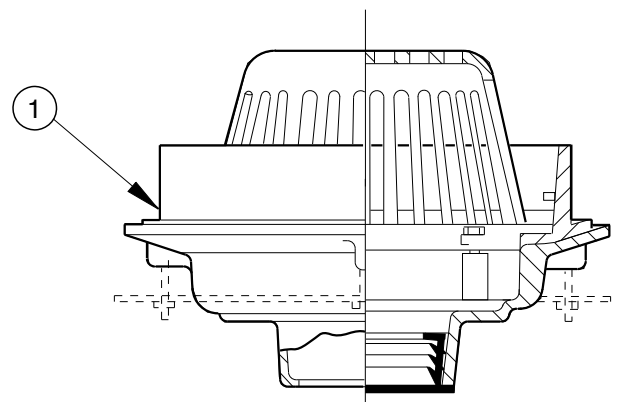


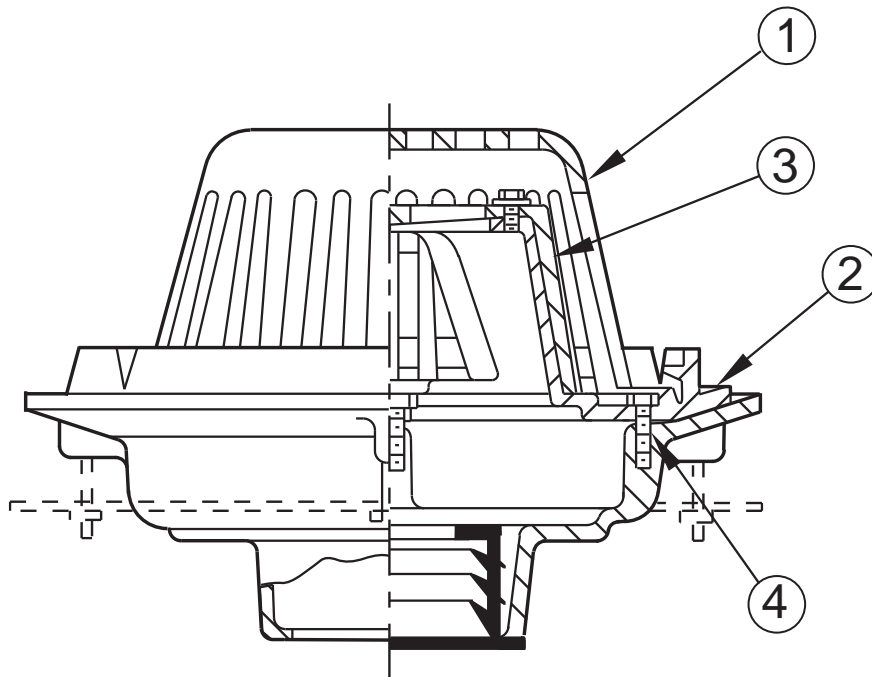
Fig. 1080



Jay R. Smith Mfg. Co.
Wholesaler's
Parts Order Number Guide

1083, 1088
Cat Pg 1-11

PART	DESCRIPTION	ITEM NUMBER
1	Polyethylene Dome, 2"-6" Outlet	1010D
1	Cast Iron Dome, 2"-6" Outlet	1010CID
2	Flashing Collar & Cone	1083C
3	Flow Rate Control	05239-10-0
2, 3	Flashing Collar & Cone w/Flow Rate Control	1083F
	Poly Bag of 4 Bolts f/Collar	R-1010



Distributed by: [BEST MATERIALS LLC](http://BESTMATERIALS.LLC)
Ph: 800-474-7570, 602-272-8128 Fax: 602-272-8014
www.BestMaterials.com Email: Sales@BestMaterials.com

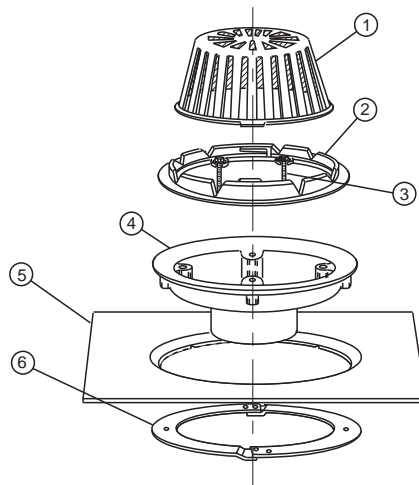
1310, 1320
Cat Pg 1-12

Jay R. Smith Mfg. Co.
Wholesaler's
Parts Order Number Guide



PART	DESCRIPTION	ITEM NUMBER
1	Polyethylene Dome f/1310, 1320	1310D
1	Cast Iron Dome f/1310, 1320	1310CID
1	Galvanized CI Dome f/1310, 1320	1310CIDG
1	Rough Bronze Dome f/1310, 1320	1310RBD
1	Aluminum Dome f/1310, 1320	1310AD
2	Flash Clamp & Gravel Stop f/1310, 1320	1310C
	2" High Water Dam Collar f/1310, 1320	1310WDC2
	2 ½" High Water Dam Collar f/1310, 1320	1310WDC2.5
3	Poly Bag of 4 Bolts f/Collar	R-1010
4	CI Caulk Body less Collar & Dome, 2"	1310C02B
4	CI Caulk Body less Collar & Dome, 3"	1310C03B
4	CI Caulk Body less Collar & Dome, 4"	1310C04B
4	CI Caulk Body less Collar & Dome, 5"	1310C05B
4	CI Caulk Body less Collar & Dome, 6"	1310C06B
4	CI No-Hub Body less Collar & Dome, 2"	1310Y02B
4	CI No-Hub Body less Collar & Dome, 3"	1310Y03B
4	CI No-Hub Body less Collar & Dome, 4"	1310Y04B
4	CI No-Hub Body less Collar & Dome, 5"	1310Y05B
4	CI No-Hub Body less Collar & Dome, 6"	1310Y06B
4	CI Body for 1320 (not pictured)	
5	Sump Receiver f/1310, 1320	1310R
6	Underdeck Clamp w/Trim f/1310	1310UDC
6	Underdeck Clamp w/Trim f/1320	1320UDC
*	1320 Conversion Collar	1320CC

*Available, but not shown

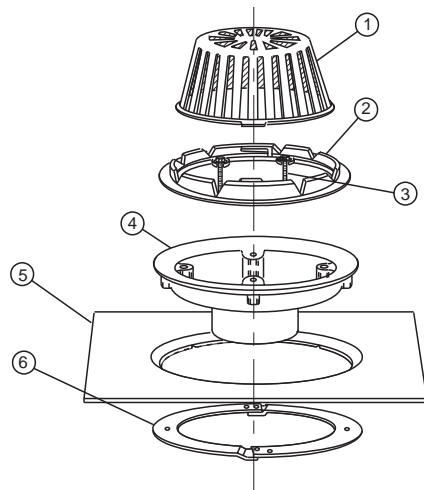




**Jay R. Smith Mfg. Co.
Wholesaler's
Parts Order Number Guide**

**1330, 1340
Cat Pg 1-13**

PART	DESCRIPTION	ITEM NUMBER
1	Polyethylene Dome f/1330, 1340	1330D
1	Cast Iron Dome f/1330, 1340	1330CID
1	Galvanized CI Dome f/1330, 1340	1330CIDG
1	Rough Bronze Dome f/1330, 1340	1330RBD
1	Aluminum Dome f/1330, 1340	1330AD
2	Flash Clamp & Gravel Stop f/1330, 1340	1330C
	2" High Water Dam Collar f/1330, 1340	1330WDC2.0
	2 1/2" High Water Dam Collar f/1330, 1340	1330WDC2.5
3	Poly Bag of 4 Bolts f/Collar	R-1010
4	CI Caulk Body less Collar & Dome, 2"	1330C02B
4	CI Caulk Body less Collar & Dome, 3"	1330C03B
4	CI Caulk Body less Collar & Dome, 4"	1330C04B
4	CI No-Hub Body less Collar & Dome, 2"	1330Y02B
4	CI No-Hub Body less Collar & Dome, 3"	1330Y03B
4	CI No-Hub Body less Collar & Dome, 4"	1330Y04B
4	CI Body for 1340 (not pictured)	
5	Sump Receiver f/1330, 1340	1330R
6	Underdeck Clamp w/Trim f/1330	1330UDC
6	Underdeck Clamp w/Trim f/1340	1340UDC

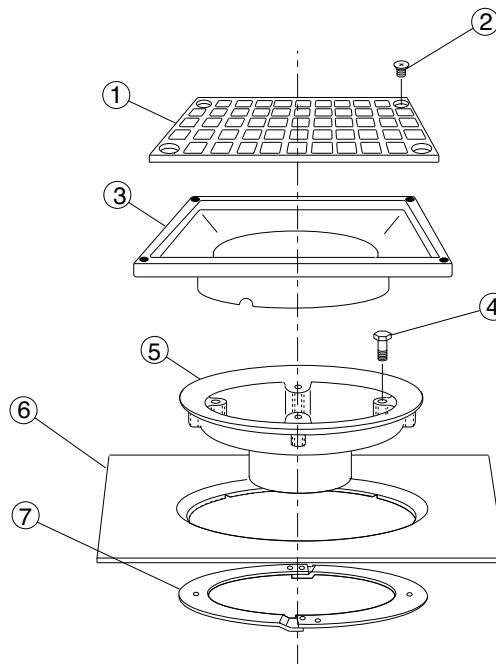


1410
Cat Pg 1-14

Jay R. Smith Mfg. Co.
Wholesaler's
Parts Order Number Guide



PART	DESCRIPTION	ITEM NUMBER
1	Cast Iron Grate	1410CIG
1	Nickel Bronze Grate	1410GNB
1	Polished Bronze Grate	1410GPB
1	Nickel Bronze Grate, Heel Proof	1410GNB-HP
1	Polished Bronze Grate, Heel Proof	1410GPB-HP
1	Ductile Iron Grate	1410GM
2	Securing Screws f/CI Grate, ea (4 reqd)	76048-80-6
3	CI Flashing Collar	1410C
1, 2, 3	Cast Iron Top Assembly	1410T
1, 2, 3	Nickel Bronze Top Assembly	1410TNB
1, 2, 3	Polished Bronze Top Assembly	1410TPB
1, 2, 3	CI Top Assembly, Heel Proof	1410T-HP
1, 2, 3	NB Top Assembly, Heel Proof	1410TNB-HP
1, 2, 3	PB Top Assembly, Heel Proof	1410TPB-HP
4	Poly Bag of 4 Bolts f/Collar	R-1010
5	Cast Iron Body	
6	Sump Receiver	1010R
7	Pr Underdeck Clamp w/Trim	1010UDC
	Trim Only f/Underdeck Clamp	R-500

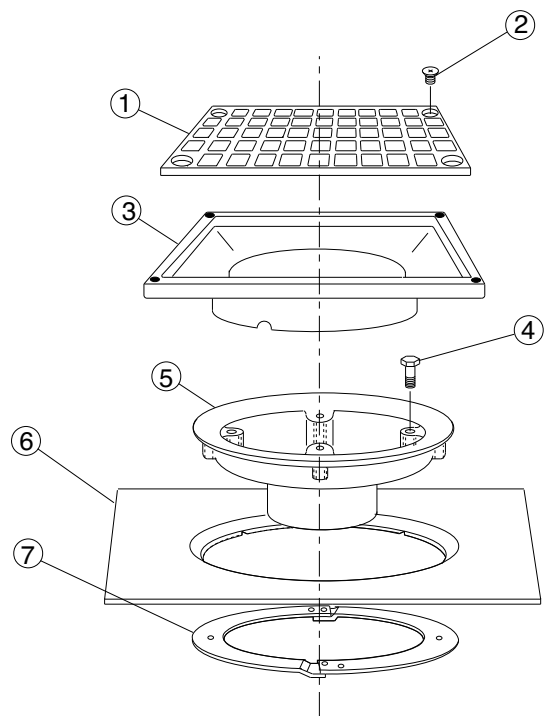




**Jay R. Smith Mfg. Co.
Wholesaler's
Parts Order Number Guide**

**1450
Cat Pg 1-15**

PART	DESCRIPTION	ITEM NUMBER
1	Cast Iron Grate	1450CIG
1	Galvanized Cast Iron Grate	1450GG
1	Nickel Bronze Grate	1450GNB
1	Polished Bronze Grate	1450GPB
1	Nickel Bronze Grate, Heel Proof	1450GNB-HP
1	Polished Bronze Grate, Heel Proof	1450GPB-HP
1	Ductile Iron Grate	1450GM
2	Securing Screws f/CI Grate, ea (4 reqd)	76042-51-6
3	CI Flashing Collar	1450C
1, 2, 3	Cast Iron Top	1450T
1, 2, 3	Nickel Bronze Top	1450TNB
1, 2, 3	Polished Bronze Top	1450TPB
1, 2, 3	NB Top, Heel Proof	1450TNBHP
1, 2, 3	PB Top, Heel Proof	1450TPBHP
4	Poly Bag of 4 Bolts f/Collar	R-1010
5	Cast Iron Body	
6	Sump Receiver	1310R
7	Pr Underdeck Clamp w/Trim	1310UDC

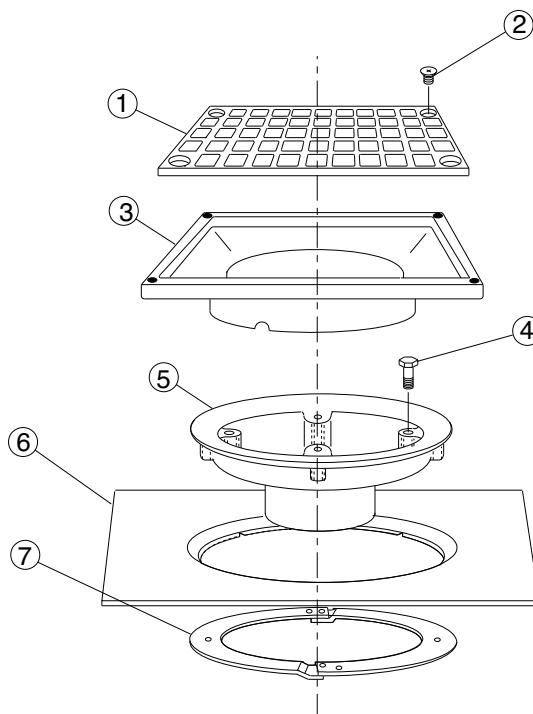


1470
Cat Pg 1-15

Jay R. Smith Mfg. Co.
Wholesaler's
Parts Order Number Guide



PART	DESCRIPTION	ITEM NUMBER
1	Cast Iron Grate	1470CIG
1	Nickel Bronze Grate	1470NBG
1	Polished Bronze Grate	1470PBG
1	Nickel Bronze Grate, Heel Proof	1470GNB-HP
1	Polished Bronze Grate, Heel Proof	1470GPB-HP
1	Ductile Iron Grate	1470GM
2	Securing Screws f/CI Grate, ea (4 reqd)	76038-80-6
3	CI Flashing Collar	1470C
1, 2, 3	Cast Iron Top	1470T
1, 2, 3	Nickel Bronze Top	1470TNB
1, 2, 3	Polished Bronze Top	1470TPB
1, 2, 3	NB Top, Heel Proof	1470TNBHP
1, 2, 3	PB Top, Heel Proof	1470TPBHP
4	Poly Bag of 4 Bolts f/Collar	R-1010
5	Cast Iron Body	
6	Sump Receiver	1310R
7	Underdeck Clamp w/Trim	1310UDC

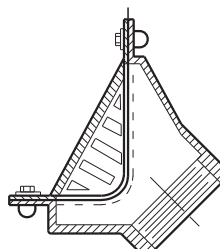
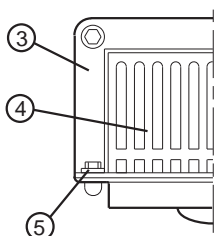
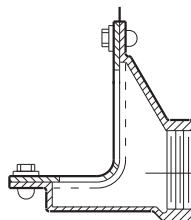
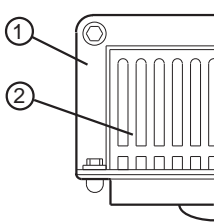




**Jay R. Smith Mfg. Co.
Wholesaler's
Parts Order Number Guide**

**1510, 1520,
1530, 1540
Cat Pg 1-16**

PART	DESCRIPTION	ITEM NUMBER
1, 3	CI Flashing Clamp f/1510-1540, 2-4"	1510CIC2
1, 3	CI Flashing Clamp f/1510-1540, 5, 6"	1510CIC5
1, 3	RB Flashing Clamp f/1510-1540, 2-4"	1510RBC2
1, 3	RB Flashing Clamp f/1510-1540, 5, 6"	1510RBC5
4	Cast Iron Grate f/1510, 1530, 2-4"	1510CIG2
4	Cast Iron Grate f/1510, 1530, 5, 6"	1510CIG5
4	Rough Bronze Grate f/1510, 1530, 2-4"	1510GRB2
4	Rough Bronze Grate f/1510, 1530, 5, 6"	1510GRB5
4	Nickel Bronze Grate f/1510, 1530, 2-4"	1510GNB2
4	Nickel Bronze Grate f/1510, 1530, 5, 6"	1510GNB5
4	Polished Bronze Grate f/1510, 1530, 2-4"	1510GPB2
4	Polished Bronze Grate f/1510, 1530, 5, 6"	1510GPB5
2	Cast Iron Grate f/1520, 1540, 2-4"	1520CIG2
2	Cast Iron Grate f/1520, 1540, 5, 6"	1520CIG5
2	Rough Bronze Grate f/1520, 1540, 2-4"	1520GRB2
2	Rough Bronze f/1520, 1540, 5, 6"	1520GRB5
2	Nickel Bronze Grate f/1520, 1540, 2-4"	1520GNB2
2	Nickel Bronze f/1520, 1540, 5, 6"	1520GNB5
2	Polished Bronze Grate f/1520, 1540, 2-4"	1520GPB2
2	Polished Bronze f/1520, 1540, 5, 6"	1520GPB5
5	Flashing Clamp Bolt, ea (4 reqd)	76100-51-6
5	Flashing Clamp Washer, ea (4 reqd)	76272-51-6

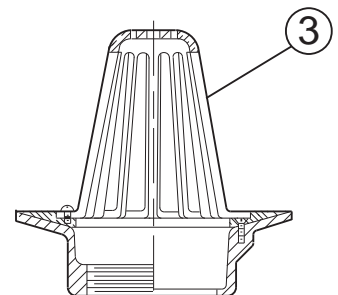
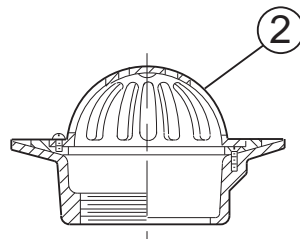
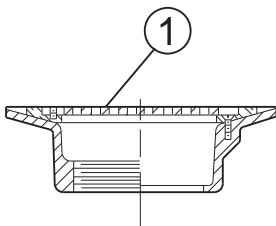


**1610, 1640, 1670,
1620, 1650, 1680
1630, 1660, 1690** Pg 1-17

**Jay R. Smith Mfg. Co.
Wholesaler's
Parts Order Number Guide**



PART	DESCRIPTION	ITEM NUMBER
1	Rgh Brz Grate f/1610, 1640, 1670	1610RBG
1	NB Grate f/1610, 1640, 1670	1610NBG
1	PB Grate f/1610, 1640, 1670	1610PBG
2	Rgh Brz Low Dome f/1620, 1650, 1680	1620DRB
2	NB Low Dome f/1620, 1650, 1680	1620DNB
2	PB Low Dome f/1620, 1650, 1680	1620DPB
3	Rgh Brz High Dome f/1630, 1660, 1690	1630DRB
3	NB High Dome f/1630, 1660, 1690	1630DNB
3	PB High Dome f/1630, 1660, 1690	1630DPB
	NB Flashing Collar	02504-70-0
	RB Flashing Collar	02504-50-0
	PB Screws f/Grate, ea (2 reqd)	76048-51-6
	SS Screws f/Grate, ea (2 reqd)	76048-80-6
	PB Screws f/Low or High Dome, ea (2 reqd)	76051-51-6
	SS Screws f/Low or High Dome, ea (2 reqd)	76051-80-6

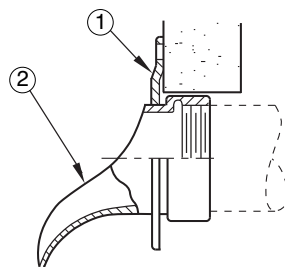




**Jay R. Smith Mfg. Co.
Wholesaler's
Parts Order Number Guide**

**1770
Cat Pg 1-19**

PART	DESCRIPTION	ITEM NUMBER
1	RB Flange, 2"	1770F2
1	RB Flange, 3"	1770F3
1	RB Flange, 4"	1770F4
1	RB Flange, 5"	1770F5
1	RB Flange, 6"	1770F6
1	RB Flange, 8"	1770F8
1	RB Flange, 10"	1770F10
1	PB Flange, 2"	1770F2PB
1	PB Flange, 3"	1770F3PB
1	PB Flange, 4"	1770F4PB
1	PB Flange, 5"	1770F5PB
1	PB Flange, 6"	1770F6PB
1	PB Flange, 8"	1770F8PB
1	PB Flange, 10"	1770F10PB
1	NB Flange, 2"	1770F2NB
1	NB Flange, 3"	1770F3NB
1	NB Flange, 4"	1770F4NB
1	NB Flange, 5"	1770F5NB
1	NB Flange, 6"	1770F6NB
1	NB Flange, 8"	1770F8NB
1	NB Flange, 10"	1770F10NB
1	RB Nozzle, 2"	1770N2
1	RB Nozzle, 3"	1770N3
1	RB Nozzle, 4"	1770N4
1	RB Nozzle, 5"	1770N5
1	RB Nozzle, 6"	1770N6
1	RB Nozzle, 8"	1770N8
1	RB Nozzle, 10"	1770N10



1770
Cat Pg 1-19

Jay R. Smith Mfg. Co.
Wholesaler's
Parts Order Number Guide



PART	DESCRIPTION	ITEM NUMBER
1	PB Nozzle, 2"	1770N2PB
1	PB Nozzle, 3"	1770N3PB
1	PB Nozzle, 4"	1770N4PB
1	PB Nozzle, 5"	1770N5PB
1	PB Nozzle, 6"	1770N6PB
1	PB Nozzle, 8"	1770N8PB
1	PB Nozzle, 10"	1770N10PB
1	NB Nozzle, 2"	1770N2NB
1	NB Nozzle, 3"	1770N3NB
1	NB Nozzle, 4"	1770N4NB
1	NB Nozzle, 5"	1770N5NB
1	NB Nozzle, 6"	1770N6NB
1	NB Nozzle, 8"	1770N8NB
1	NB Nozzle, 10"	1770N10NB

Distributed by: [BEST MATERIALS LLC](#)
Ph: 800-474-7570, 602-272-8128 Fax: 602-272-8014
www.BestMaterials.com Email: Sales@BestMaterials.com