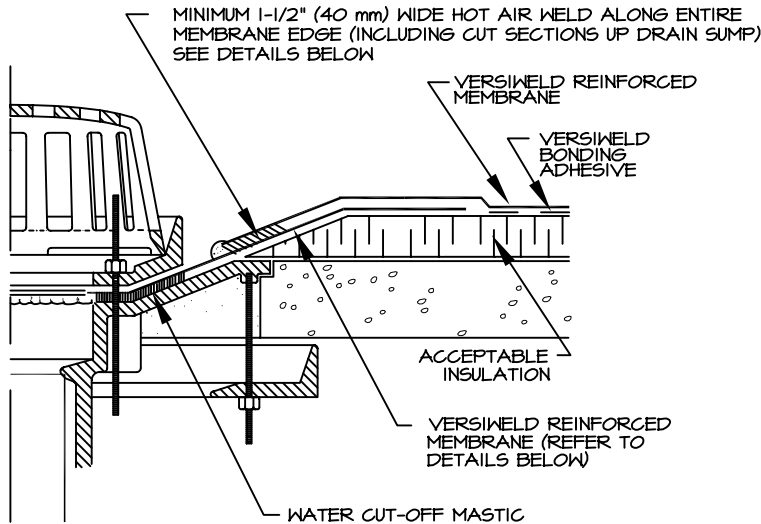
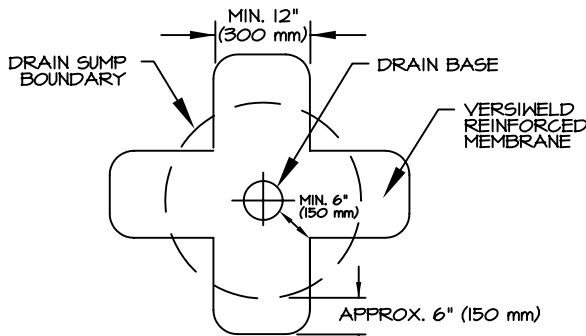


VersiWeld® ADHERED ROOFING SYSTEM FOR DRAINS WITH TAPERED INSULATION AT DRAIN SUMP GREATER THAN 3" TO 1 HORIZONTAL FOOT (75 mm/300 mm)

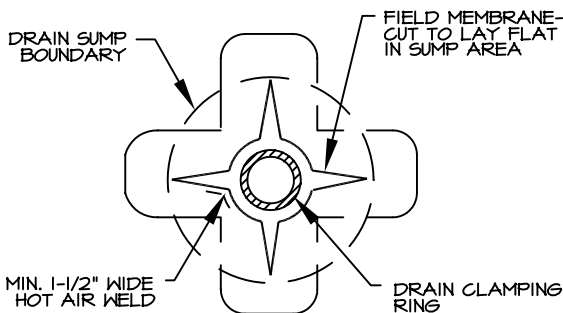


NOTES:

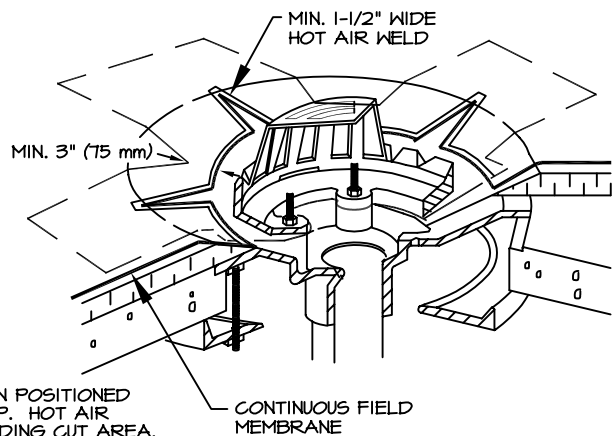
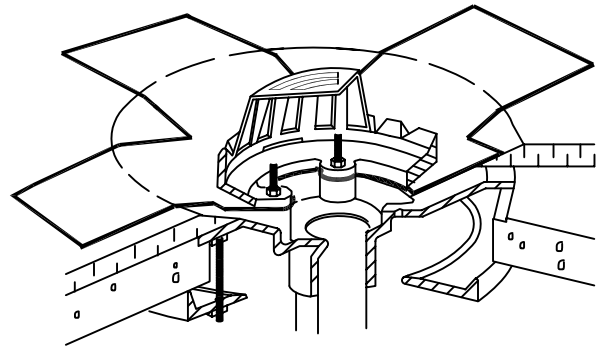
1. REMOVE ALL LEAD AND OTHER FLASHING.
2. ALL DRAIN BOLTS OR CLAMPS MUST BE IN PLACE TO PROVIDE COMPRESSION ON WATER CUT-OFF MASTIC.
3. CUT MEMBRANE SO IT EXTENDS A MINIMUM OF 1/2" (13 mm) FROM ATTACHMENT POINTS OF THE CLAMPING RING.
4. APPROX. 1/8" (3 mm) DIAMETER BEAD OF CUT-EDGE SEALANT IS REQUIRED ON CUT EDGES OF VERSIWELD REINFORCED MEMBRANE.



CUT SECTION OF VERSIWELD REINFORCED MEMBRANE AS SHOWN AND POSITION INTO DRAIN SUMP. EXTEND MEMBRANE OUT OF DRAIN SUMP APPROX. 6" (ROUND CORNERS).



EXTEND VERSIWELD MEMBRANE ONTO MEMBRANE SECTION POSITIONED AT DRAIN SUMP AND CUT AS SHOWN TO LAY FLAT IN SUMP. HOT AIR WELD A MINIMUM OF 1-1/2" (40 mm) COMPLETELY SURROUNDING CUT AREA.



VWA-6 ROOF DRAIN

(DRAIN SUMP GREATER THAN 3 INCHES TO 1 HORIZONTAL FOOT)

VERSICO
 INCORPORATED



A subsidiary of Carlisle SynTec Incorporated
 © 2006 VERSICO INCORPORATED