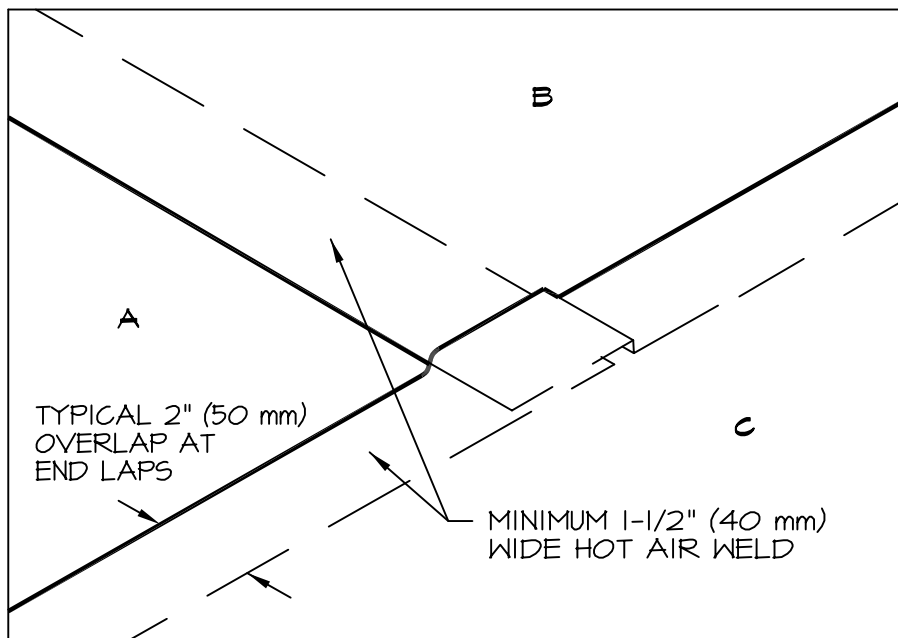
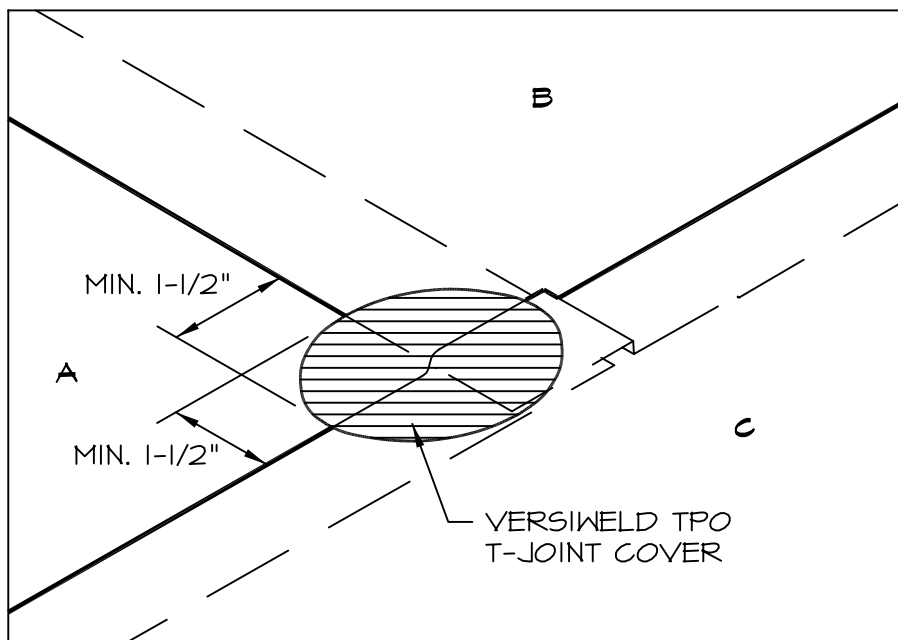


VersiWeld® ADHERED ROOFING SYSTEM



- ① POSITION SHEETS AND HOT AIR WELD THE .060 INCH THICK VERSIWELD MEMBRANE A MINIMUM OF 1-1/2 (40 mm) INCHES.



- ② INSTALL A 4.5" DIAMETER VERSIWELD TPO T-JOINT COVER CENTERED OVER THE SPLICE INTERSECTION ("T-JOINT") AS SHOWN.

VWA-2.1
SPLICE INTERSECTION WITH
60 - MIL MEMBRANE

VERSICO
INCORPORATED



A subsidiary of Carlisle SynTec Incorporated
© 2006 VERSICO INCORPORATED