

WG-7™ Closure

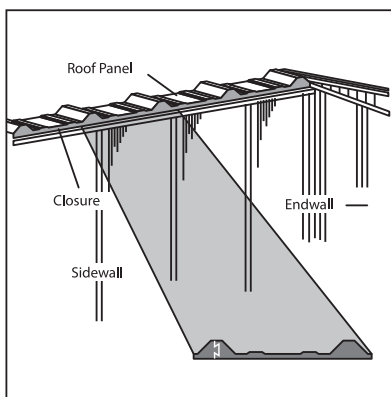
WG-7 closure and WG-7 adhesive closure
For panel opening filler

- The industry standard for closure material — time tested— millions of feet installed over the last 30-plus years.
- Polyethylene foam for exceptional strength and compressibility.
- Available with adhesive applied to the contact side of the panel surface assures positive positioning during installation.
- Resists damaging ultra violet rays and ozone deterioration.
- Over 1800 panel configurations available.
- Manufactured in multiple plants for quick delivery.

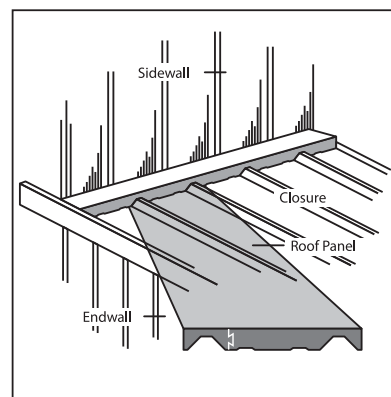
Application

WG-7 Closure

Material Thickness: Nominal 1", 1-1/2", 2"
Color: Black



Typical Inside Closure Application



Typical Outside Closure Application

Technical Properties

Test	Test Method	Units	Values
Density	ASTM D3575	lb/ft ³	1.7 - 1.9
Working Temperature Range	Internal	°F	194 max -76 min
Compression Deflection	ASTM D3575	psi	25% 5.1
50%			13.6
Compression Set	ASTM D3575	% max	25% - 1/2 hr 15
25% - 24 hr			6
Tear Strength	ASTM D3575	psi	11.5
Tensile Strength	ASTM D3575	psi	46.8
Elongation	ASTM D3575	%	165
Flammability	FMVSS302	4"/min	Pass
Shore Hardness	ASTM D2240	00	55

Data represents typical values measured on 0.4" thick specimen and should be considered as a guideline only.

Maximum service temperature is 194° F. Applications where service temperature exceeds 194° F should be avoided, as the material can experience thermal degradation.

WG-7 closure is not recommended for installation or placement beneath translucent or clear materials where it may be exposed to direct sunlight. The potential intensification of the sun's rays may result in increased temperatures which could effect the condition of the material.

Not all closure profiles available in all material thicknesses.

CONTINUED -- PRODUCT LIST AND OPTIONS, NEXT PAGE.

Distributed by: **BEST MATERIALS®**
Ph: 800-474-7570, 602-272-8128 Fax: 602-272-8014
www.BestMaterials.com Email: Sales@BestMaterials.com

WG-7 Closure - with and without adhesive

MATERIAL NO.		PANEL DESCRIPTION	RIB HEIGHT X LENGTH	CTN QTY
INNER MAT. #	OUTER MAT. #			
799399	799399	2.67 x 1/2 Corrugated	1/2" x 24"	100
799752	799755	5V Crimp	1/2" x 24"	100
799527	799531	Channel Drain	1/2" x 36"	100
799569	799573	ProPanel II, PermaClad	5/8" x 36"	100
799582	799589	3/4 Hi Rib	3/4" x 36"	100
799605	799609	M/U Panel	3/4" x 36"	100
799545	799548	C/D Panel - 2.67	7/8" x 32"	100
799520	799517	A Panel	1-1/8" x 36"	100
799444	799450	R Panel	1-1/4" x 36"	100
799433	799433	7.2 Panel x 1.5" Corrugated	1-1/2" x 36"	100

Add for adhesive closure

ProfileVent and Anchor Clips

PROFILEVENT ROLLS

FEET PER PACKAGE			PANEL DESCRIPTION
20 FT.	50 FT.	100 FT.	
999-576	799576	799574	ProPanel II
799593	799595	799592	3/4" Hi Rib
999-576	999-576	799639	Agri-Panel
999-576	799453	799452	R Panel
999-576	999-576	799912	SL-16
999-576	799933	799932	1" x 5/16" x 16"
999-576	999-576	799954	Medallion Loc 16"
999-576	999-576	500002	SSR Panel 16" (1-1/2)

PROFILEVENT 3 FT. STICKS

	PANEL DESCRIPTION	
1300476	3/4" Hi Rib Stick	9" ON CENTER RIBS
1357916	R Panel Stick	12" ON CENTER RIBS