

Tomorrow's Solution for
Today's Buildings

U. S. Patent No. 5,493,827
U. S. Patent No. 5,768,838

CHEMCURB SYSTEM™

Penetration Seals

DESCRIPTION:

The **CHEMCURB SYSTEM** replaces old-style metal pitch pans with versatile, precast components and pourable sealants that can usually be installed in under 15 minutes—and never require flashing or mechanical attachment. Designed for use on granulated modified bitumen, and asphalt and coal tar B.U.R. Also specified for PVC, EPDM, PIB and TPO single ply roofing (Must use **Chem Link TPO Primer** with TPO.) When installed properly, this system forms a durable, waterproof rubber seal around penetrations of any size. **A 10-year warranty against leaks is activated with submittal of completed card.**

The **ChemCurb System** has three components:

- (1) **CHEMCURB** exterior forms: rings/straights/corners
- (2) **M-1™ Structural Sealant** for bonding/sealing/priming.
- (3) **1-PART™** moisture cure pourable sealer, or **PRO PACK™** two-part urethane pourable sealer.

CHEMCURB precast forms are composed of gray polyester resin. Round curbs have an inside diameter of 7.5 or 5 inches. 12- and 6-inch straight curbs are available to extend the round curbs, and to combine with corner curbs to form rectangular seals. All pieces are two inches high. The curved outer surfaces are impervious to ice, corrosion, UV (ultraviolet light) and ponding water.

M-1 Structural Sealant is a durable, self-fixturing, moisture cure mastic. Two cartridges of gray **M-1** are supplied in each kit and carton of **ChemCurbs**.

1-PART is a light gray, highly flexible, self-leveling moisture cure pourable sealer that eliminates mixing. It is also 100% solid rubber, has no V.O.C. (volatile organic content), will not melt or shrink, and is resistant to deterioration. Supplied in 28-oz. cartridges or two-liter pouches (four to a Field Pack). Unused sealer can be capped and reused.

PRO PACK is a black, two-part urethane pourable sealer designed for self-leveling, horizontal applications. When properly mixed, it cures to a tough, waterproof rubber mass with excellent low temperature elasticity and adhesion. **Pro Pack** is 100% solid rubber and has no V.O.C. It is thermosetting (will not melt) and will not shrink. Also highly resistant to weathering, joint movement, water and ice. Supplied in premeasured one-gallon kits.

INSTALLATION:

(1) **M-1 Structural Sealant** is used to bond **ChemCurb** forms firmly in place on the roof surface, to seal the base of the penetration and the outside curb perimeter, and to prime the penetration(s).

(2) **1-PART** pourable sealer or **PRO PACK** is poured into the curb, forming a 2-inch deep waterproof rubber seal. One gallon (or two pouches) fills two 7.5-inch or six 5-inch **ChemCurb** rings.

CAUTION:

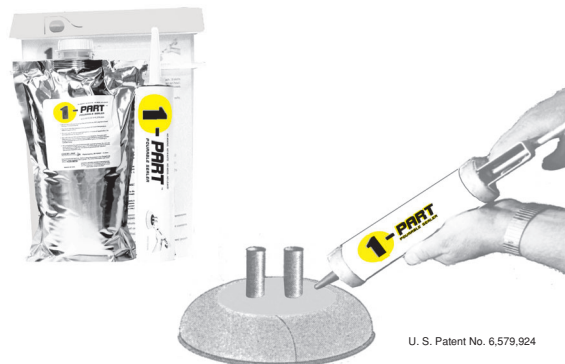
Pipes and penetrations should be steel brushed to remove plastic cement and asphalt.

SPECIAL CHARACTERISTICS:

- Rapid installation—reduces labor significantly.
- Excellent adhesion to most roofing materials.
- No flashing or mechanical attachment required.
- Flexible to minus 40 degrees F. Stable to 200 degrees F.
- **1-PART** accommodates movement. Use on all granulated membranes and details with excessive movement.

RESTRICTIONS:

- Do not apply below 30 degrees.
- Do not apply **PRO PACK** if rain is expected within four hours.
- Do not use on Hypalon or smooth APP modified bitumen membrane. For smooth APP, melt down an overlay of granulated APP before installation.
- Must use **Chem Link TPO Primer** for TPO membrane.



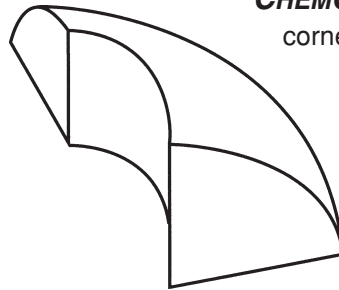
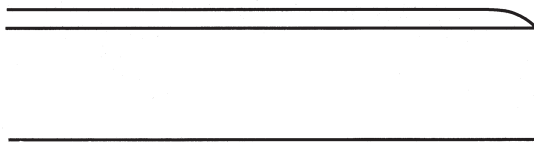
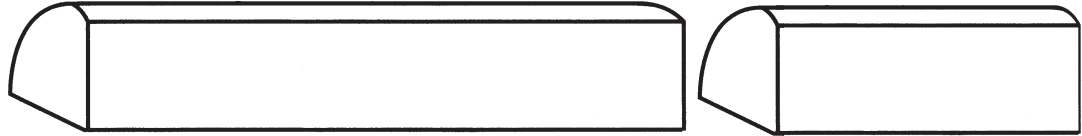
U. S. Patent No. 6,579,924

Made in U.S.A.

CHEMCURB SYSTEM™

CHEMCURB Straights

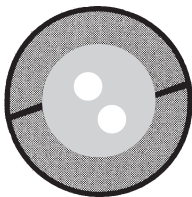
6" & 12" straight sections used to lengthen the **CHEMCURB**.
Fit both curb sizes.



CHEMCURB Corners

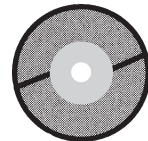
corner pieces used with straight sections to make box shapes

7.5" i.d. Curb



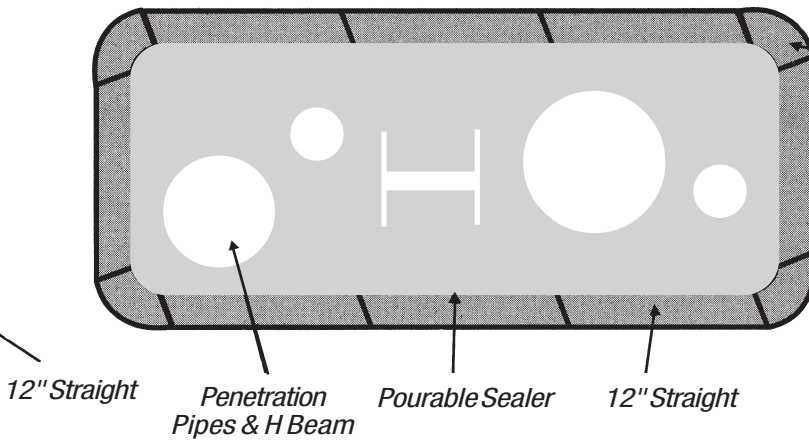
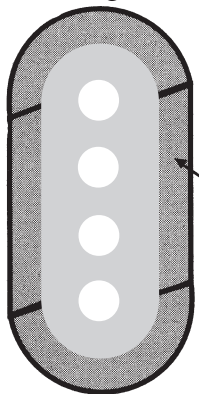
Aerial View

5" i.d. Curb



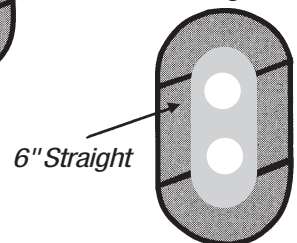
Corner Curbs & Straights

7.5" i.d. Curb with Straights



Corner Piece

5" i.d. Curb with Straights



Use either **1-PART™** moisture cure pourable Sealer or **PRO PACK™** two-part urethane pourable sealer. (1-PART with "P" Curbs shown.)

HOW TO CALCULATE CHEMCURB VOLUMES

Note: These figures represent volume of sealant needed for various sizes of curb combinations **without displacement for penetrations**. (To estimate exact vol. needed, also figure volume of penetrations and subtract from volume of curbs.)

To figure volume of a **square curb**: multiply length X width X depth, ("2") then divide by 231(cu. inches in a gal.) to get no. of gallons needed to fill curb.

Note:

- (1) One gal. pourable sealer = 231 cu. in.
One 28 oz tube = 50 cu. in. 12 28 oz tubes = 2.6 gal.
- (2) Vol. 7.5" Curb: 88 cu. in
- (3) Vol. 5" Curb: 39 cu. in.

Always figure 2" depth for ChemCurbs. Less invalidates warranty. A Corner Curb adds two inches to a Straight Curb on each end.

Examples:

Four 12" Straights + four Corners

Form a square 16" X 16" X 2" deep.
Multiply 16 x 16 x 2 = 512 cu. in.
Div. 512 cu. in. by 231 to = **2.21 gal.**



Four 6" Straights + four Corners

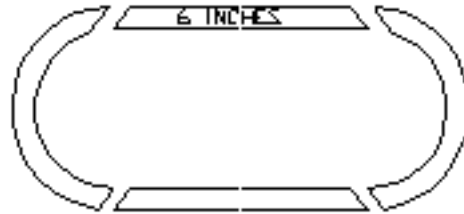
Form a square 10" X 10" X 2".
Multiply 10 X 10 X 2 = 200 cu. in.
Divide 200 by 231 to = **.86 gal.**

7.5" round curb + two 12" Straights

Form an oval 19.5" X 7.5" X 2".
Multiply 19 x 7.5 x 2 = 285
Div. 285 by 231 to = **1.23 gal**

7.5" round Curb + two 6" Straights

Form an oval 13.5" X 7.5" X 2".
Multiply 13 X 7.5 X 2 = 195 cu. in.
Div. 195 by 231 to = **.84 gal.**



5" Round Curb + two 12" Straights

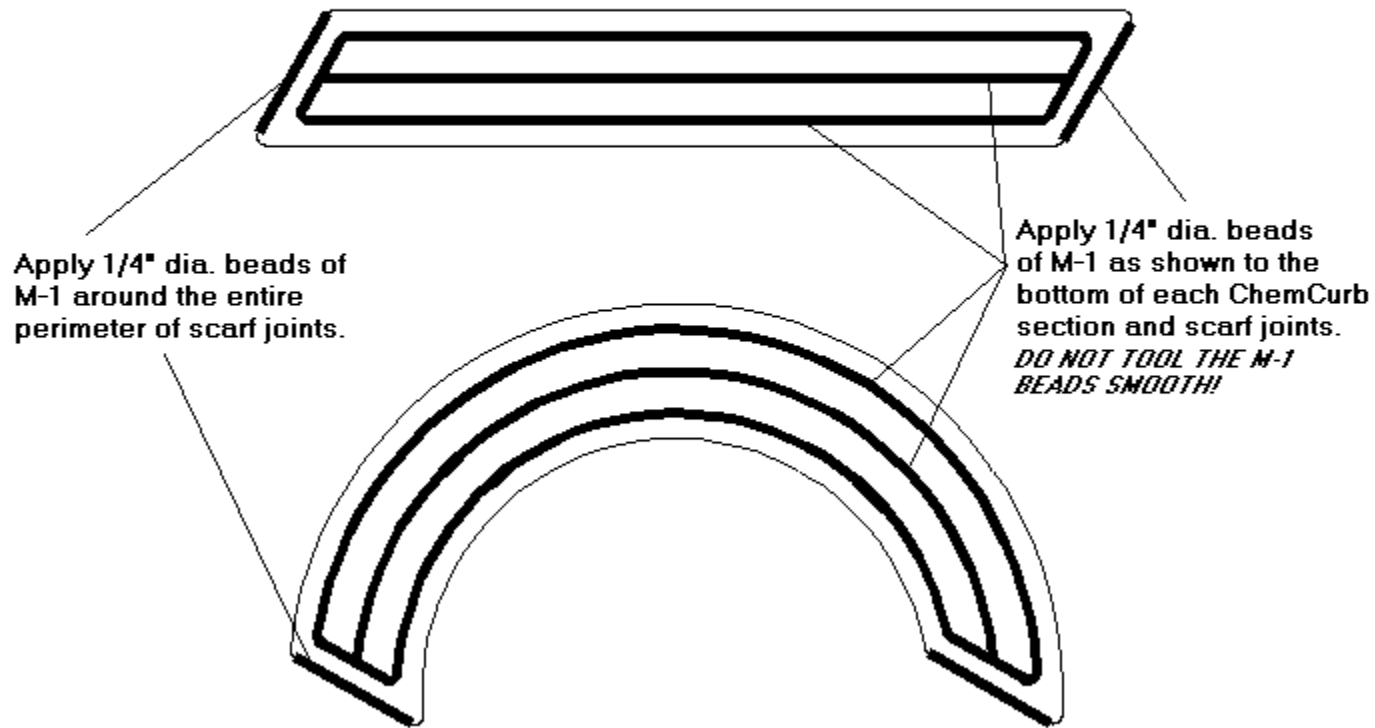
Form an oval 17" X 5" X 2" deep.
Multiply 17" X 5" X 2" = 170 cu. in.
Div. 170 by 231 to = **.73 gal.**

Rule of Thumb: One gallon of pourable sealer will fill two 7.5" round curbs or six 5" round curbs.

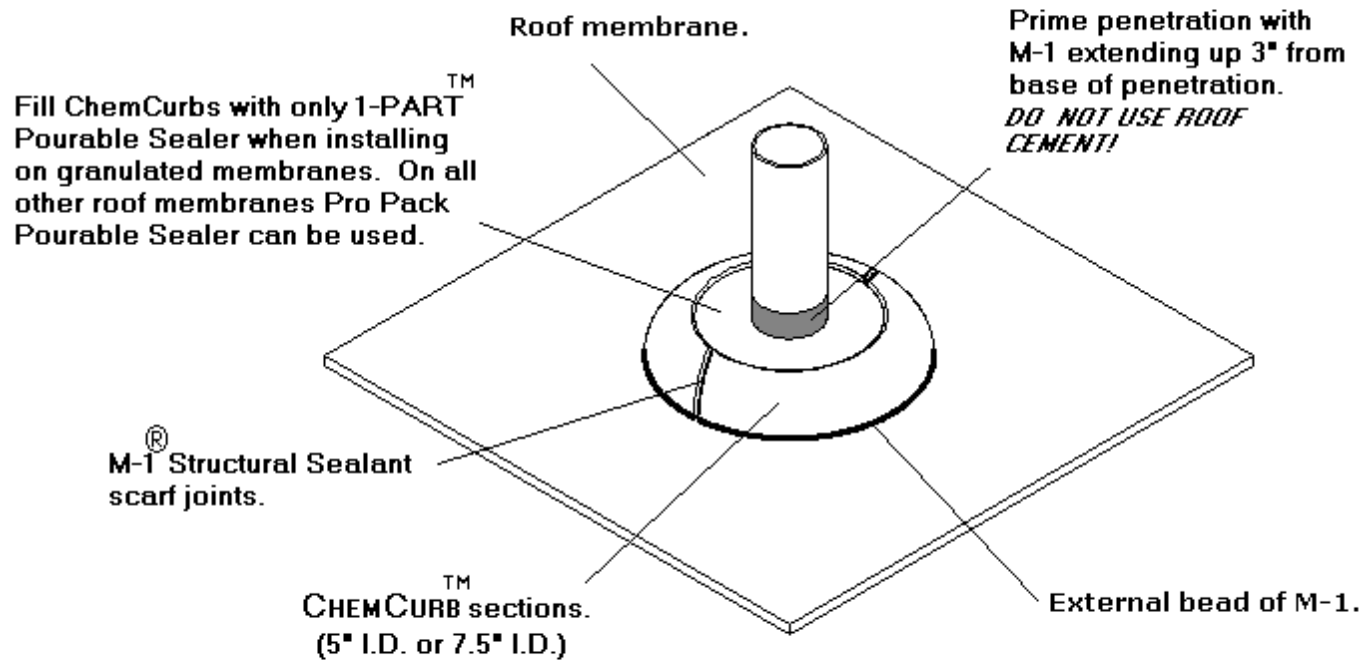
CHEM LINK, INC. 1-800-826-1681
PO Box 1511 Kalamazoo, MI 49005
www.chemlinkinc.com

Member of the
 NATIONAL
ROOFING
CONTRACTORS
ASSOCIATION

***M-1 APPLICATION TO THE BOTTOM AND
SCARF JOINTS OF CHEMCURB SECTIONS***



STANDARD CHEMCURB DETAIL

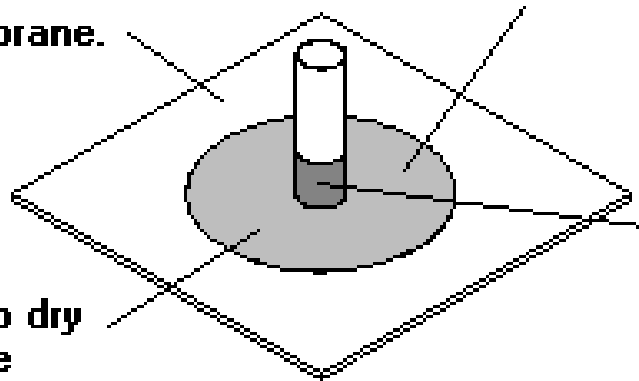


A minimum 1" space is required between all penetrations and the interior wall of all ChemCurbs.

TPO MEMBRANE

Apply CHEMLINK TPO PRIMER with a brush to the surface of the TPO membrane. Primer shall extend from the base of the penetration 1" beyond the outside perimeter of the ChemCurb.

TPO roof membrane.

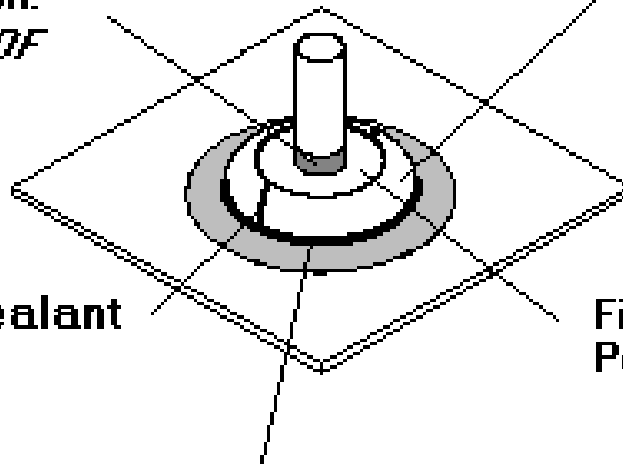


Allow TPO primer to dry before installing the ChemCurb.

Prime penetration with M-1 extending 3" up from base of penetration.
DO NOT USE ROOF CEMENT!

NOTICE: DO NOT INSTALL CHEMCURBS ON HYPALON MEMBRANES.

Prime penetration with M-1 extending 3" up from base of penetration.
DO NOT USE ROOF CEMENT!



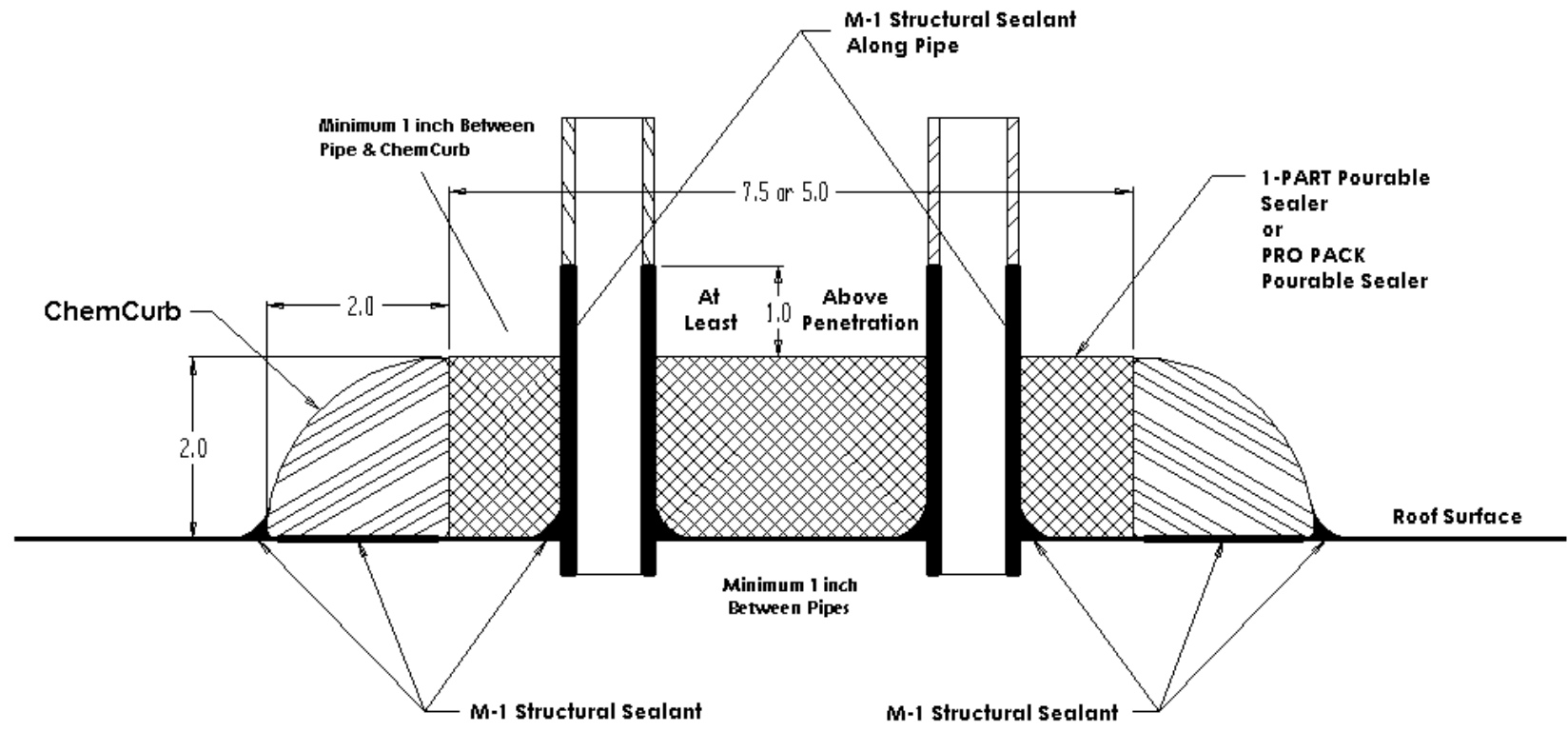
[®]M-1 Structural Sealant scarf joints.

[™]CHEMCURB sections.

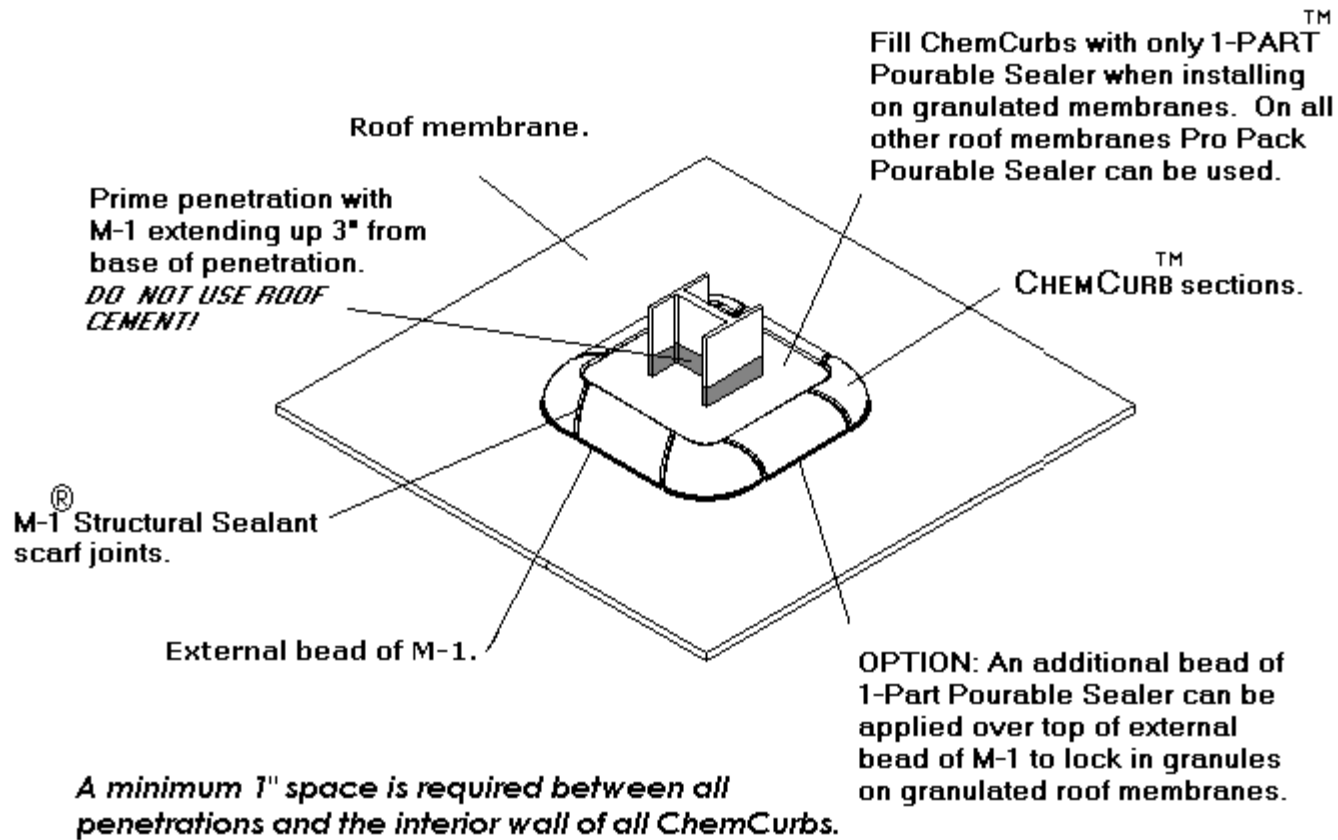
[™]Fill ChemCurbs with 1-PART Pourable Sealer or Pro Pack.

External bead of M-1.

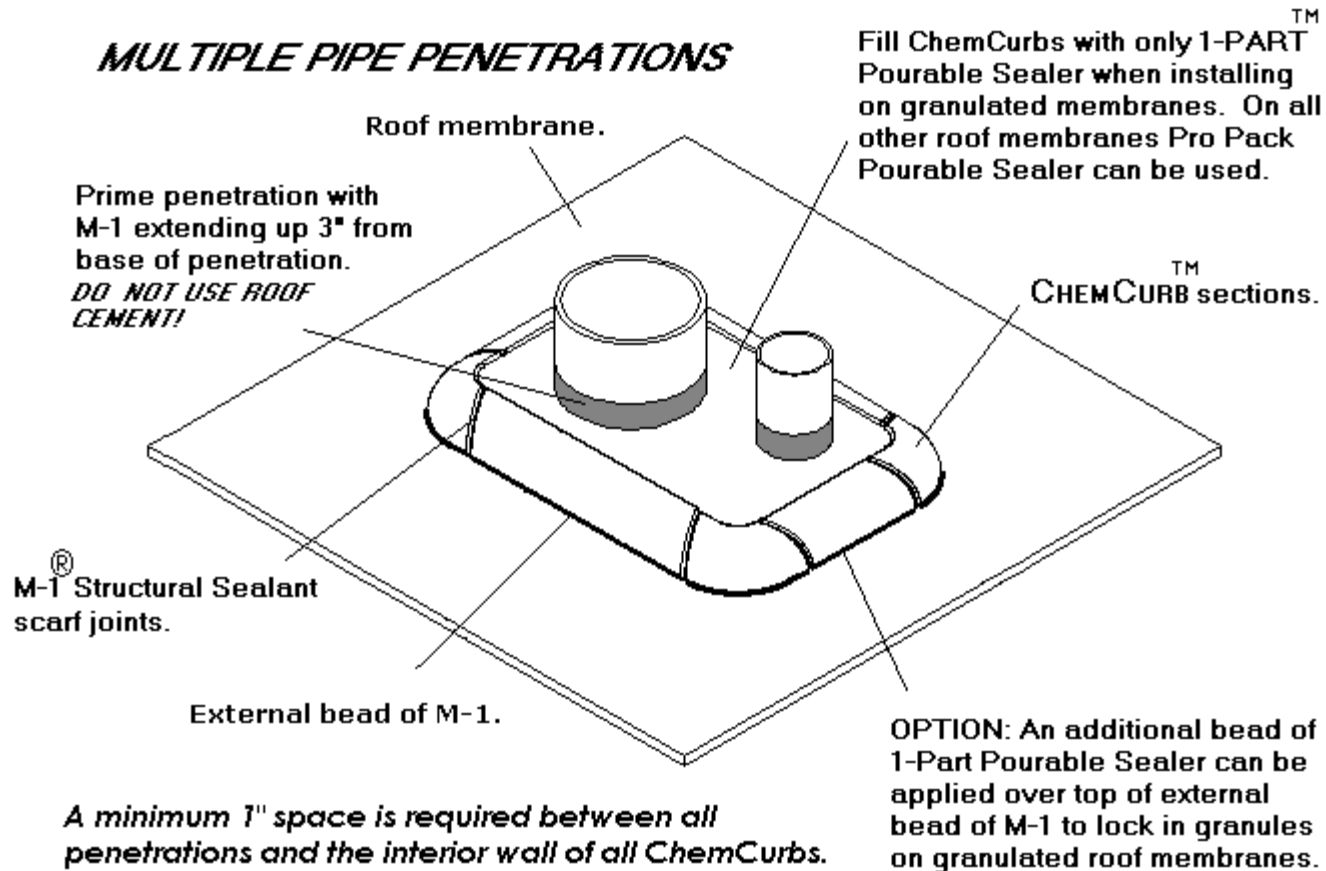
SECTION VIEW



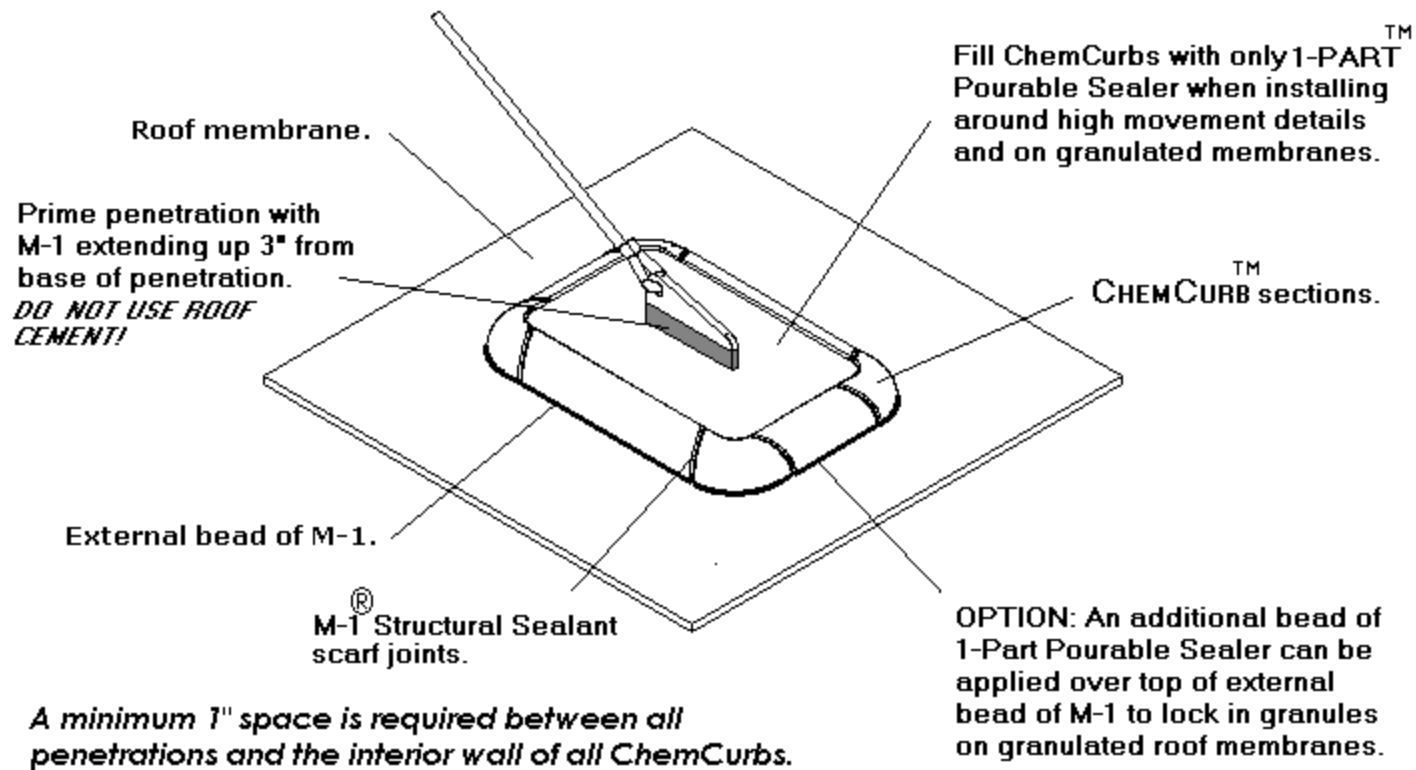
H-BEAM PENETRATION



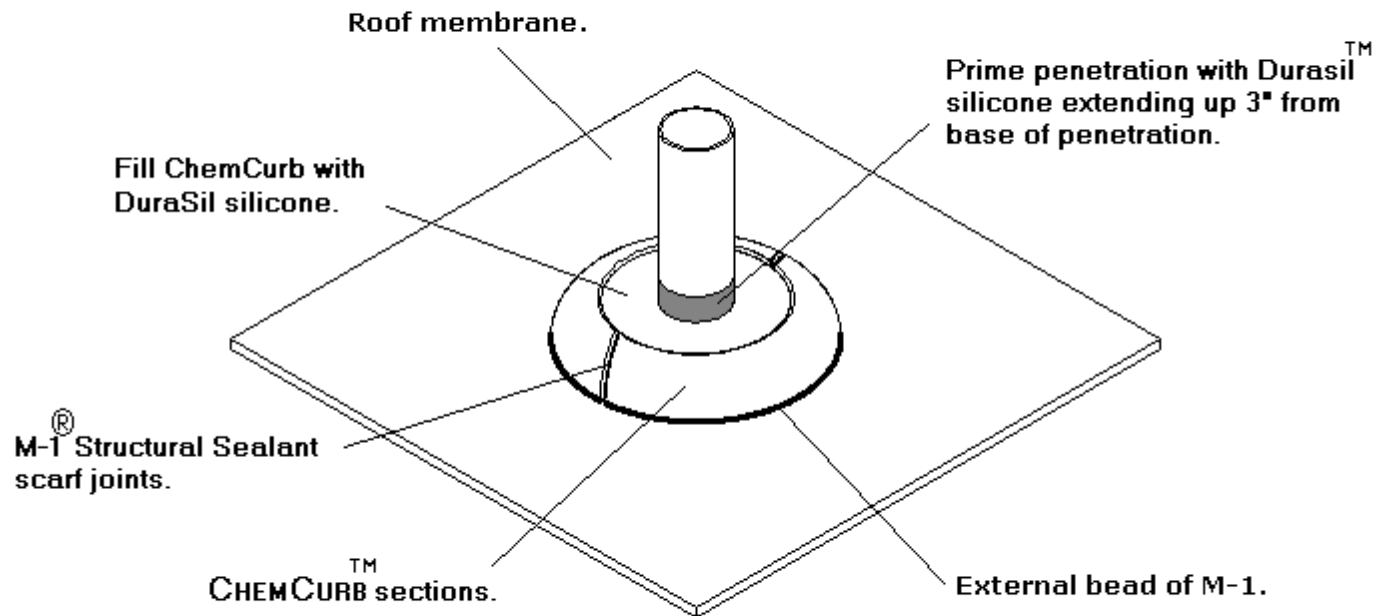
MULTIPLE PIPE PENETRATIONS



CABLE SUPPORT PENETRATION



***HOT STACK PENETRATION
(200° F to 400° F)***



A minimum 1" space is required between all penetrations and the interior wall of all ChemCurbs.

MACHINERY SCREEN

Angle iron or support member shall be fabricated out of structural steel that is secured to the structural supports or decking in a manner that reduces structural movement as much as possible.

Prime penetration with M-1 extending up 3" from base of penetration.
DO NOT USE ROOF CEMENT!

Fill ChemCurbs with only 1-PART Pourable Sealer™ when installing around high movement details and on granulated membranes.

CHEMCURB™ sections.

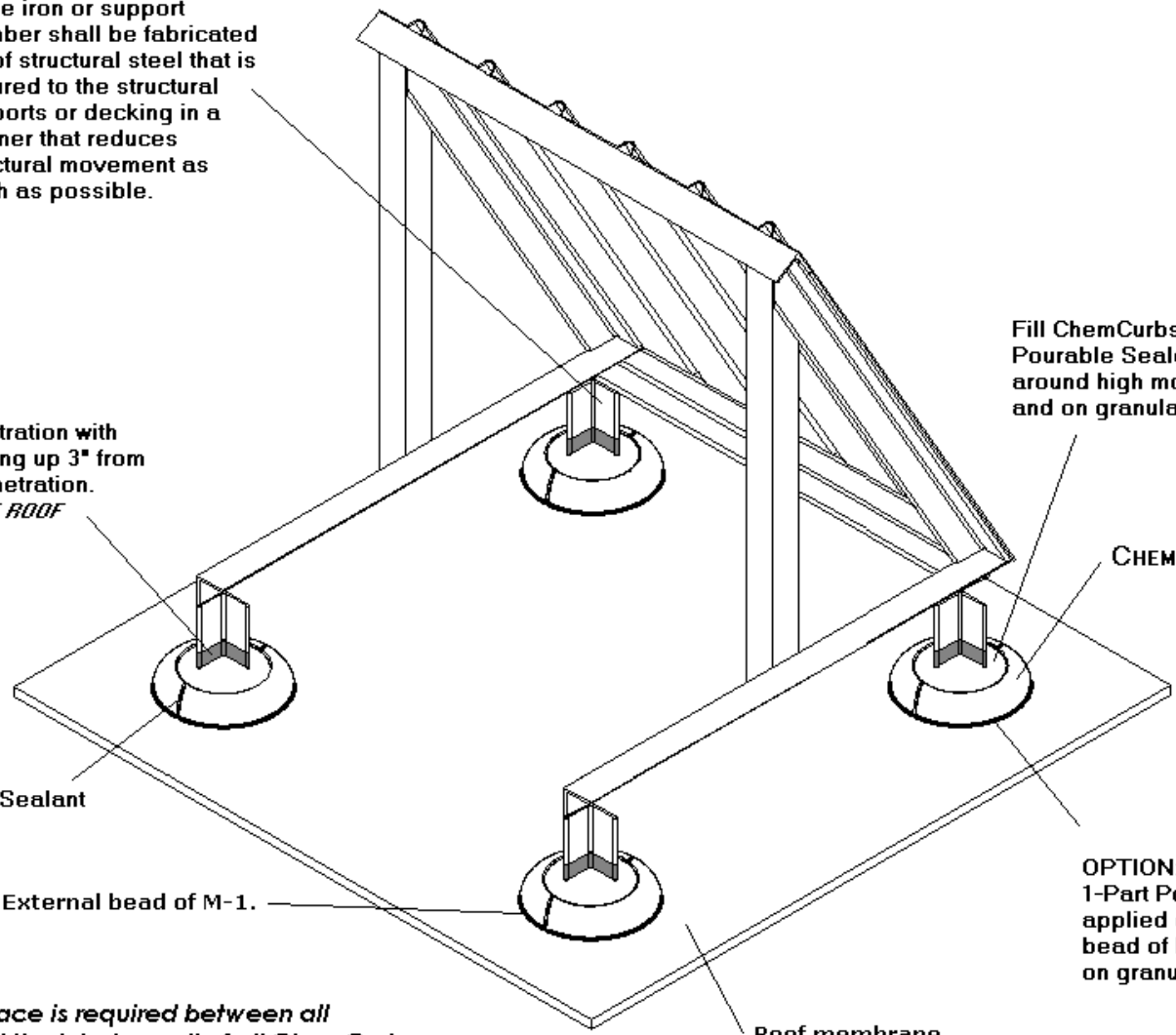
M-1® Structural Sealant scarf joints.

External bead of M-1.

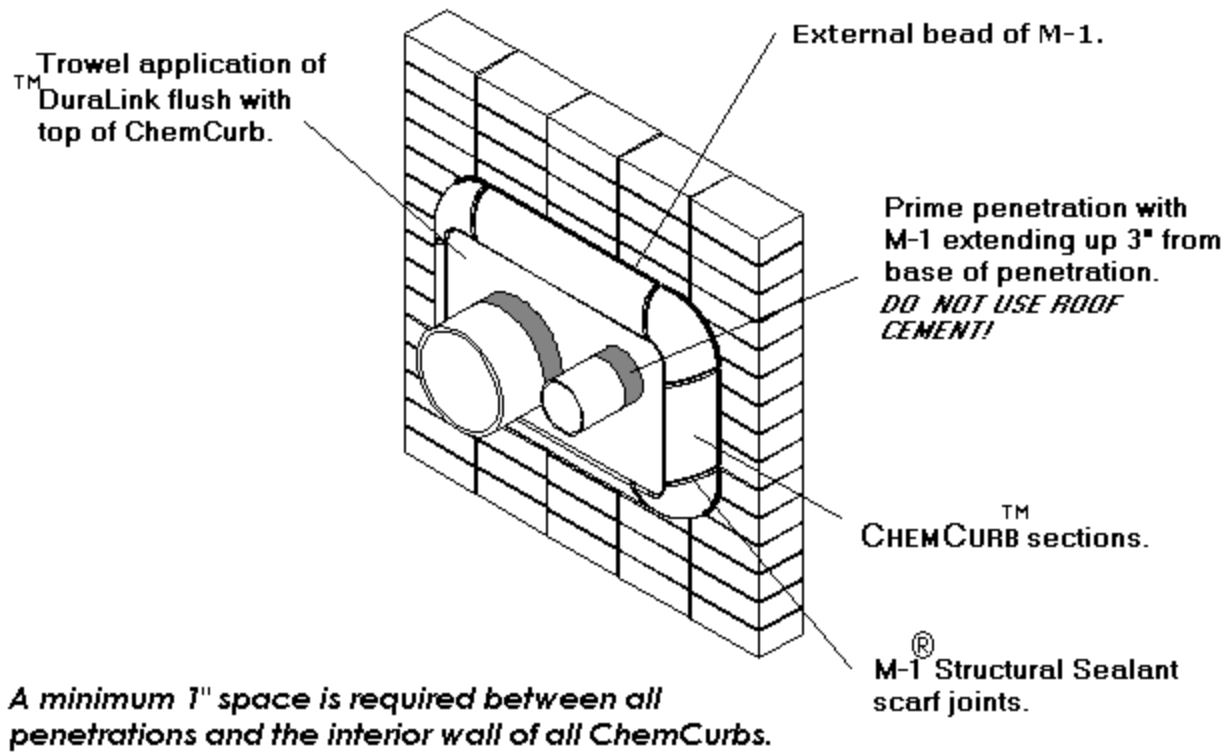
OPTION: An additional bead of 1-Part Pourable Sealer can be applied over top of external bead of M-1 to lock in granules on granulated roof membranes.

A minimum 1" space is required between all penetrations and the interior wall of all ChemCurbs.

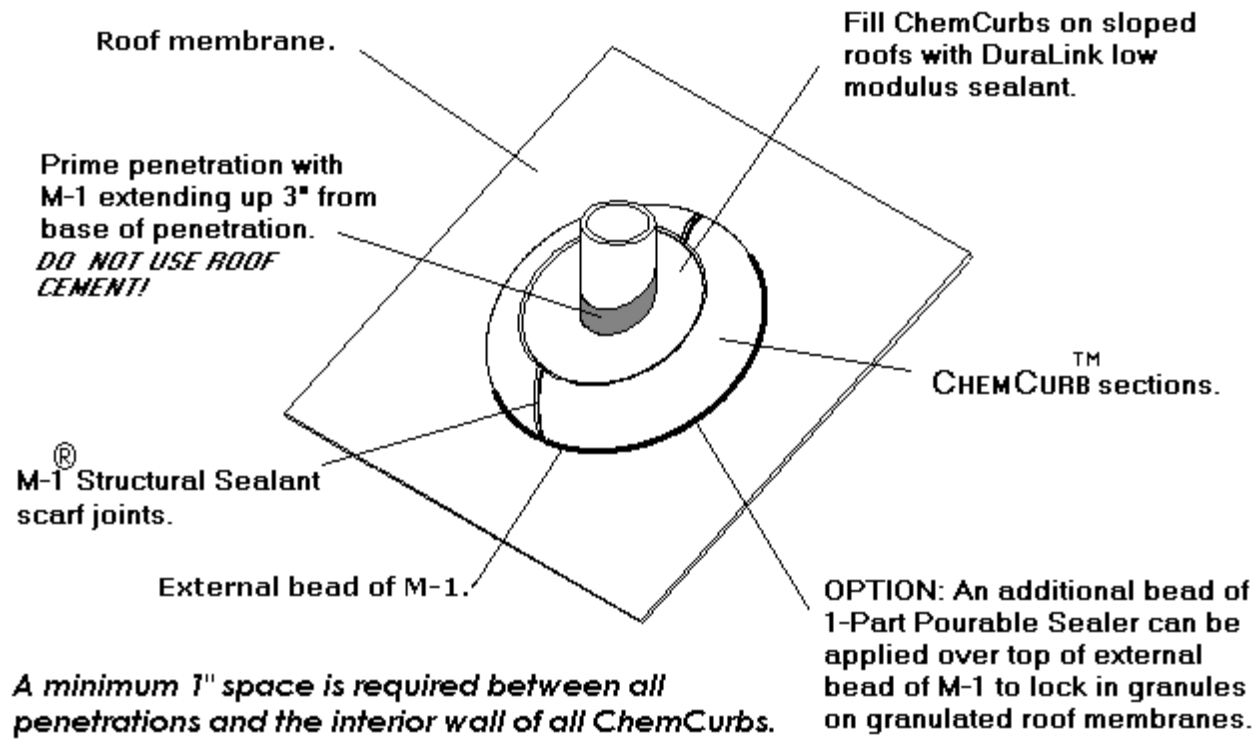
Roof membrane.



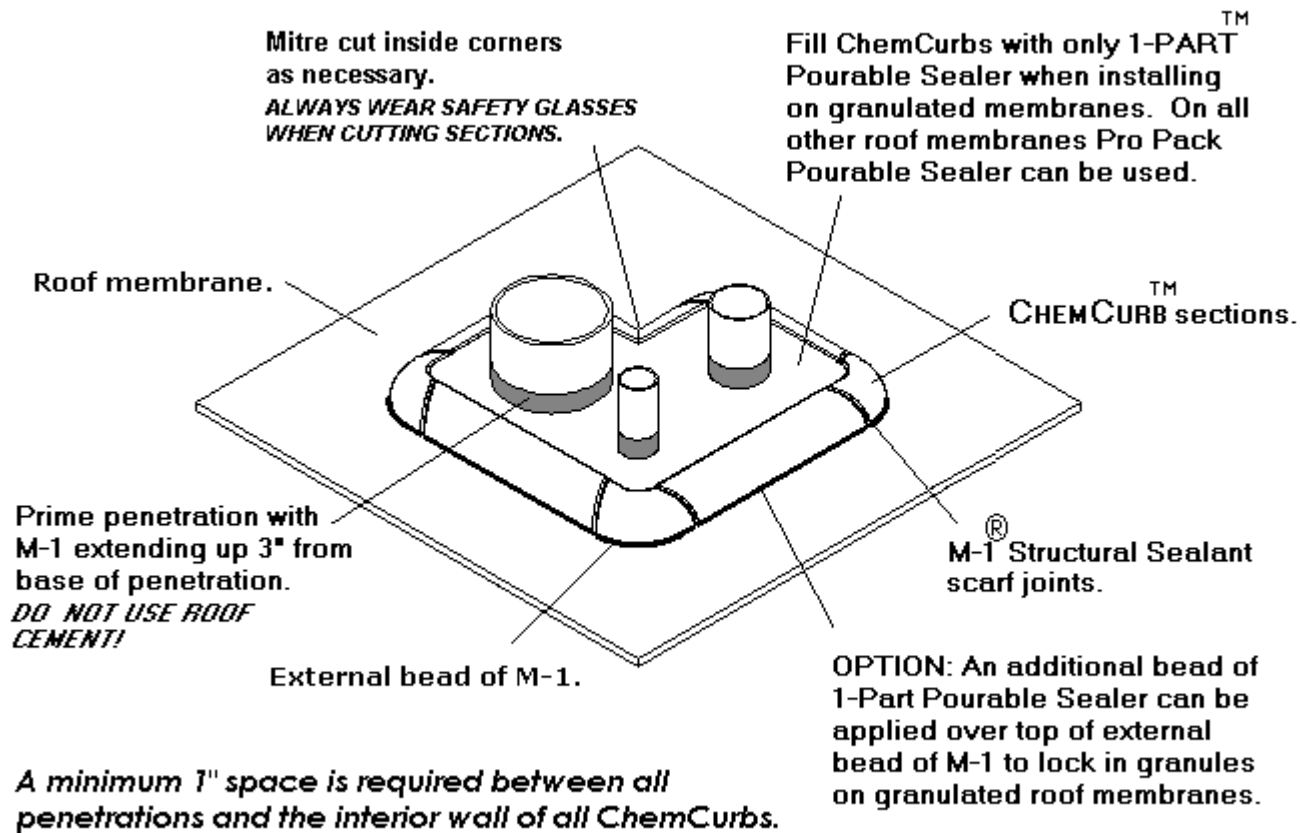
VERTICAL WALL PENETRATIONS



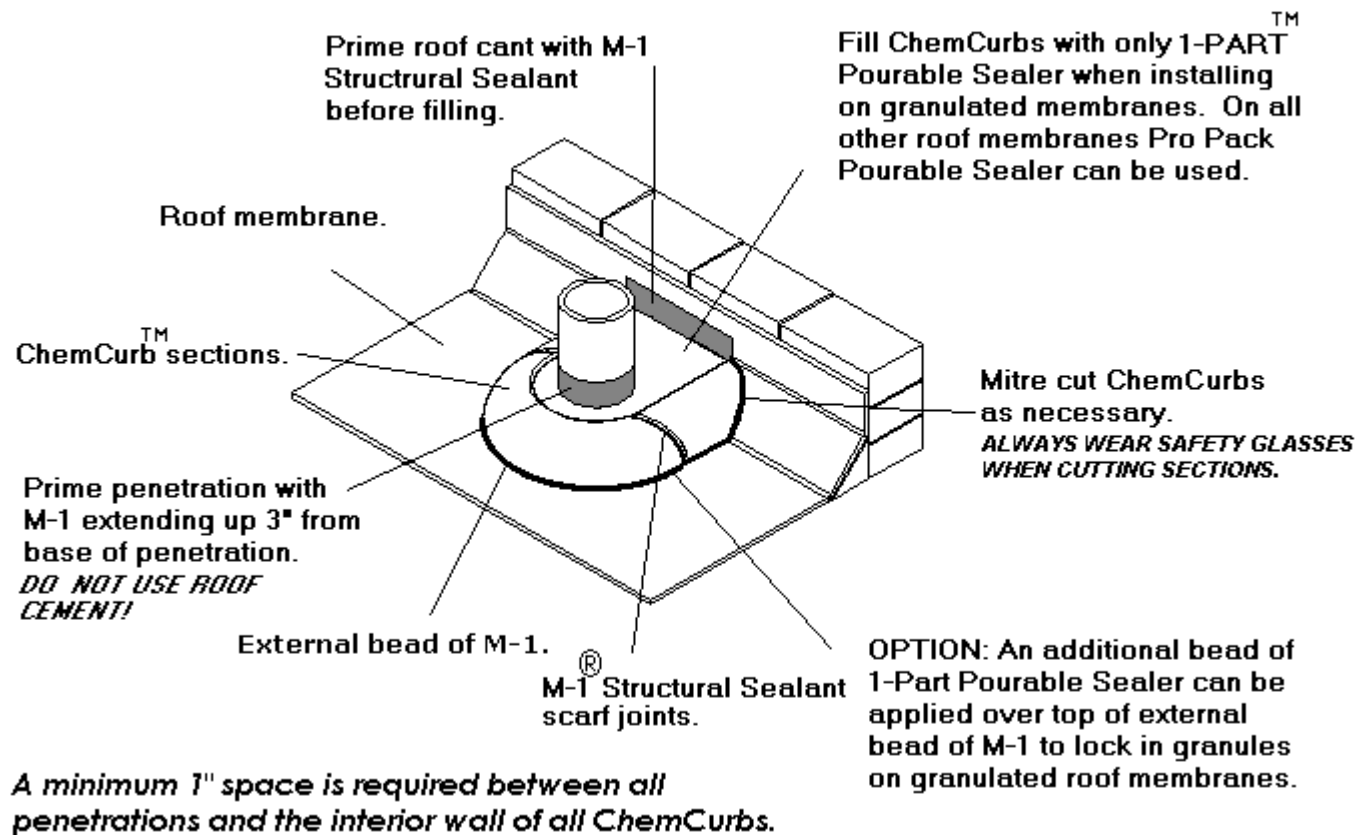
SLOPED ROOF PENETRATIONS



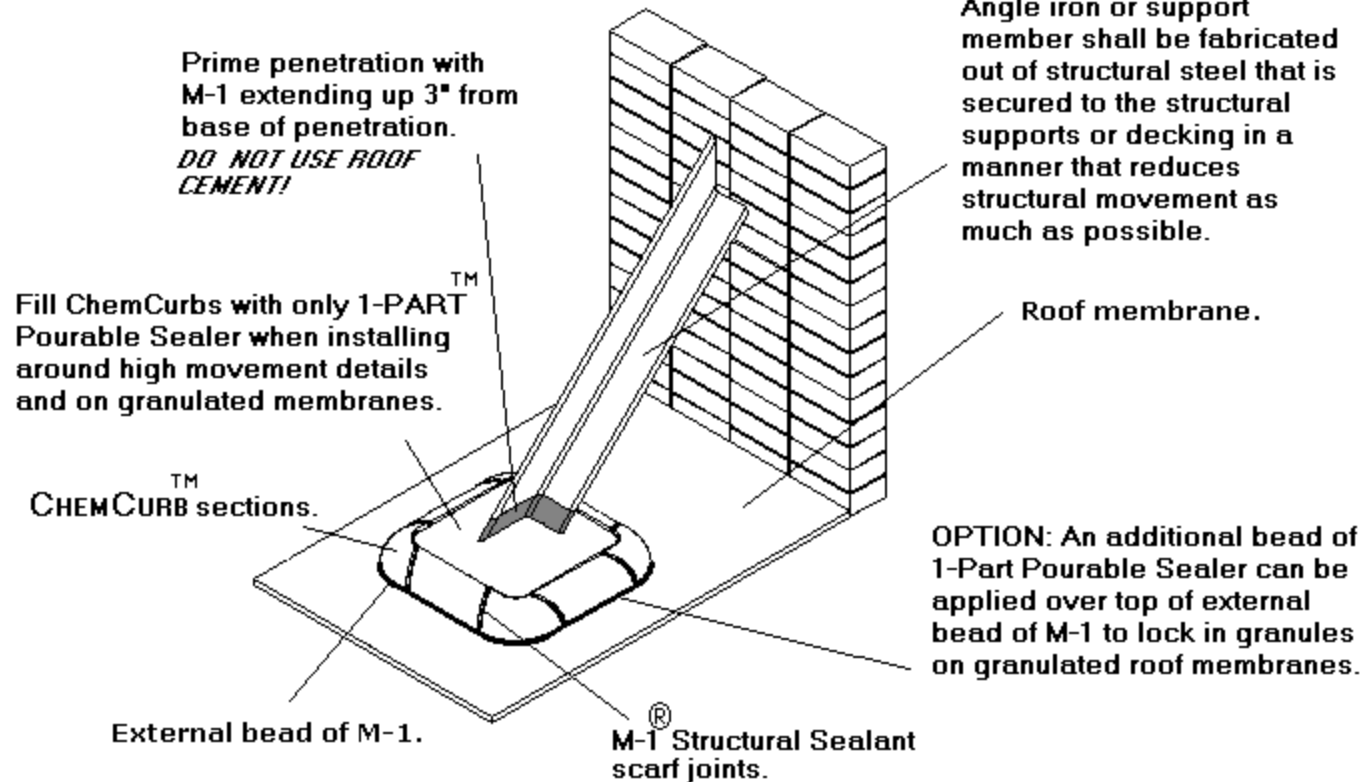
L-SHAPE CONFIGURATION



PENETRATION NEAR WALL FLASHING



ANGLE IRON PENETRATION



A minimum 1" space is required between all penetrations and the interior wall of all ChemCurbs.