

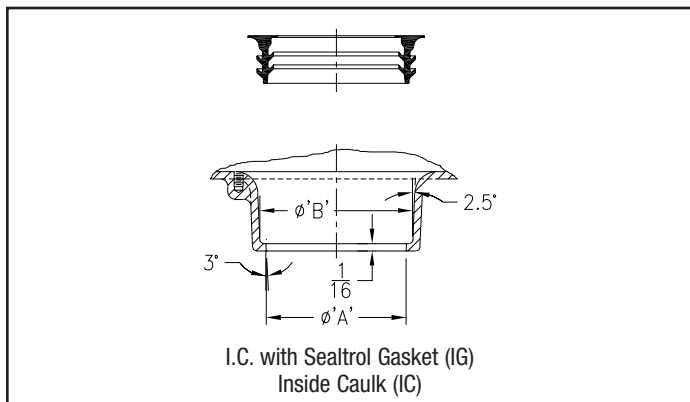
ZURN OUTLET PIPE CONNECTIONS

INSIDE CAULK (IC)

Often specified where drain body is positioned on pipe, bottom of outlet is sealed with oakum and connection is then completed according to local plumbing codes.

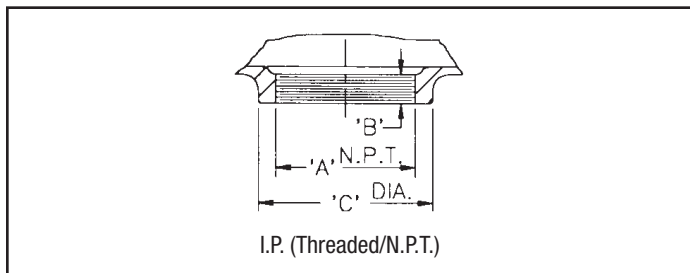
INSIDE GASKET (IG)

The IG connections utilize an inside caulk drain body and a Zurn "Sealtrol" gasket. **This connection is only recommended for basement or ground floor applications.**



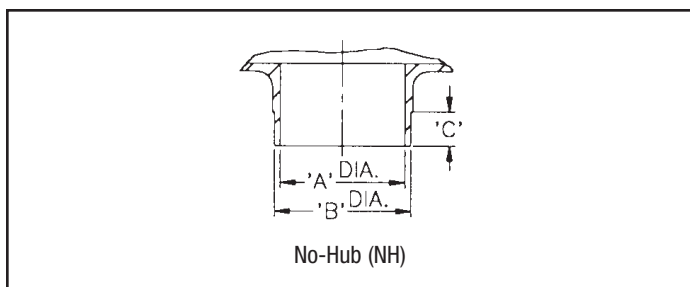
IRON PIPE (IP)

Zurn Iron Pipe Threaded connection is an old industry standard. The female (NPT) threaded outlet is often specified on industrial and institutional applications.



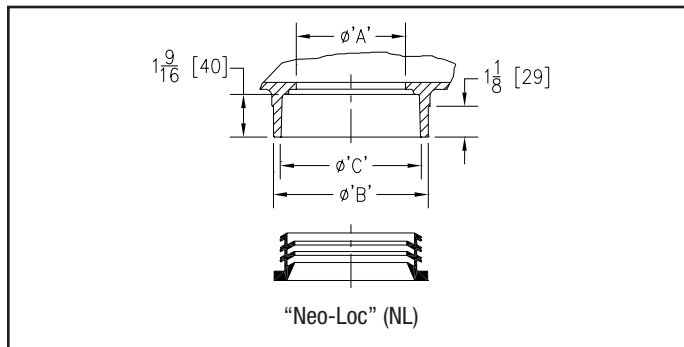
NO-HUB (NH)

The most widely used connection. A No-Hub connection is achieved by butting No-Hub soil pipe or plastic pipe to the bottom of drain and securing it with a NH joint clamp. (Clamp furnished by others.)



NEO-LOC (NL)

Zurn Neo-Loc is a unique labor saving compression gasketed connection designed to simply push on the stub end of the pipe. The Neo-Loc drain body and gasket can be utilized with plastic, steel, No-Hub and service weight soil pipe. A unique pipe stop cast in each Zurn Neo-Loc drain body ensures a proper fit.

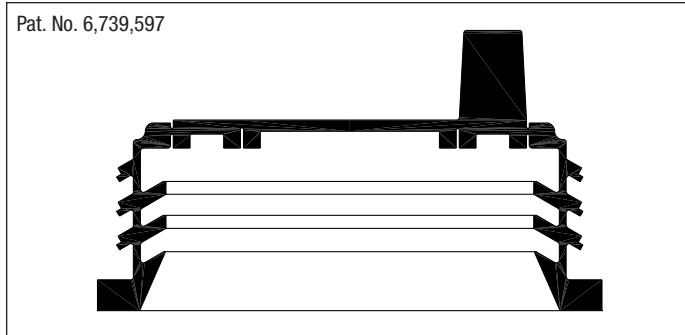


Special Note: Zurn "Neo-Loc" and "Sealtrol" gaskets are designed for use exclusively with Zurn drainage products. They are not sold separately and all warranties either expressed or implied would be forfeited if used in other than a Zurn drainage product.

OUTLETS	Dimensions in Inches [mm]		
	'A'	'B'	'C'
2" [51] No-Hub Outlet	2 [51]	2-3/8 [60]	1-1/8 [29]
3" [76] No-Hub Outlet	3 [76]	3-3/8 [86]	1-1/8 [29]
4" [102] No-Hub Outlet	4 [102]	4-3/8 [111]	1-1/8 [29]
5" [127] No-Hub Outlet	4-15/16 [126]	5-5/16 [135]	1-1/2 [38]
6" [152] No-Hub Outlet	5-15/16 [151]	6-5/16 [160]	1-1/2 [38]
8" [203] No-Hub Outlet	7-15/16 [202]	8-3/8 [213]	2 [51]
10" [254] No-Hub Outlet	10 [254]	10-9/16 [268]	2 [51]
12" [305] No-Hub Outlet	12 [305]	12-9/16 [319]	2 [51]
2" [51] Neo-Loc Outlet	2 [51]	3-3/8 [86]	3 [76]
3" [76] Neo-Loc Outlet	3 [76]	4-3/8 [111]	4 [102]
4" [102] Neo-Loc Outlet	4 [102]	5-1/2 [140]	5-1/8 [130]
2" [51] I.C. Outlet	2-5/8 [67]	3-1/16 [78]	-
3" [76] I.C. Outlet	3-3/4 [95]	4-3/16 [106]	-
4" [102] I.C. Outlet	4-3/4 [121]	5-3/16 [132]	-
5" [127] I.C. Outlet	5-3/4 [146]	6-3/16 [157]	-
6" [152] I.C. Outlet	6-3/4 [172]	7-3/16 [183]	-
8" [203] I.C. Outlet	8-7/8 [226]	9-1/2 [241]	-
2" [51] N.P.T. Outlet	2 [51]	9/16 [14]	3-1/4 [83]
3" [76] N.P.T. Outlet	3 [76]	3/4 [19]	4-1/2 [114]
4" [102] N.P.T. Outlet	4 [102]	15/16 [24]	5-5/8 [143]
5" [127] N.P.T. Outlet	5 [127]	15/16 [24]	6-11/16 [170]
6" [152] N.P.T. Outlet	6 [152]	15/16 [24]	7-3/4 [197]
8" [203] N.P.T. Outlet	8 [203]	1-1/8 [29]	9-3/8 [238]
2" [51] NL w/-TC	2 [51]	3-3/8 [86]	3 [76]
3" [76] NL w/-TC	3 [76]	4-3/8 [111]	4 [102]
4" [102] NL w/-TC	4 [102]	5-1/2 [140]	5-1/8 [130]

NEO-LOC DRAIN GASKET with INTEGRAL TEST CAP

The Zurn Neo-Loc Gasket with Integral Test Cap is a unique pipe connection designed to secure a drain fixture to the drain line. This labor-saving compression gasket is compatible with plastic, steel, no-hub, extra heavy, and service weight cast iron soil pipe. Both the Neo-Loc drain body and compression gasket are designed to simply push onto the stub end of the pipe. A pipe stop molded into each drain body ensures a proper fit.



It is often required by plumbing codes that drain lines be tested for leakage once installation is complete. This test is typically performed by plugging all openings in the drain line system and applying a hydrostatic pressure charge of not less than 10-ft. head pressure to the lines for at least 15 minutes prior to inspection. The slightest loss of pressure in the system may indicate a possible leak.

Preparation to perform such testing can be a time-consuming and labor-intensive process. All drain fixtures must be plugged prior to line pressurization, and unplugged upon test completion. Current methods of preparation may involve the use of an inflatable test plug (Figure 1). Each plug is inserted into an opening in the drain line and inflated to block off the line. Once testing is complete, the plugs have to be deflated and removed. This whole process requires initial setup and post-test removal of the plugs, costing valuable time.

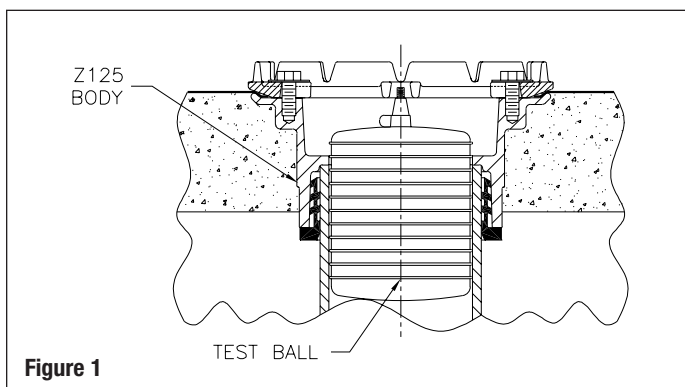


Figure 1

The Zurn Neo-Loc Gasket with Integral Test Cap eliminates the need for multiple test plugs and requires no loss of time for setup, prior to line system pressurization. The test cap is already in place when the drain body is installed, allowing for immediate testing (Figure 2). There is no need to carry multiple plugs from one drain fixture to another.

Maximum Operating Pressure - 10 psi.
Material conforms to ASTM standard C564.

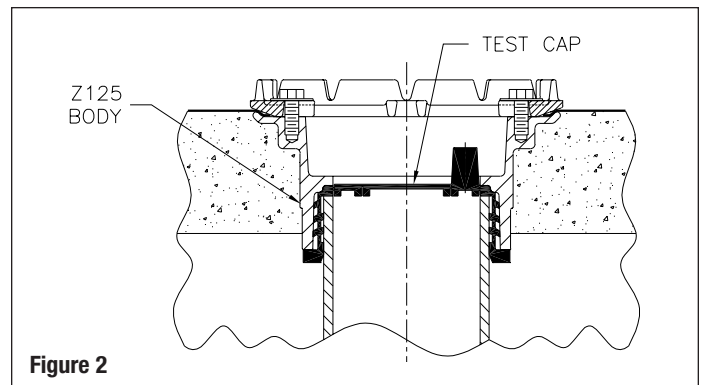


Figure 2

Benefits of Using the Neo-Loc Gasket with Integral Test Cap

- No setup time required. The test cap is already installed along with the gasketed drain body. There is no need to carry around separate test plugs and equipment from drain to drain.
- During construction and installation, dirt and debris often fall down into the drain line, creating possible blockage problems. The test cap portion of the gasket prevents this from occurring prior to line system pressurization.
- Ease of removal. The test cap portion is easily removed and discarded, leaving a clean-edged opening for water to flow through the gasket and pipe.
- Individual test plugs may become lost, damaged, and unusable after some use. The need to replace these plugs is eliminated, saving the contractor and customer money.

Installation of the Gasket

1. Make sure that the end of the drain pipe is cut square, is free of any burrs, and all sharp edges are broken.
2. Lubricate the inner and outer ribs of the gasket and the outside diameter of the pipe.
3. Fully insert the gasket into the properly sized Neo-Loc drain body.
4. Push the drain body and gasket onto the end of the drain line until the pipe comes to a secure stop.

NEO-LOC DRAIN GASKET with INTEGRAL TEST CAP, continued

Instructions for Removal of the Test Cap

Once testing of the drain line system is complete and permission has been given to open the lines, the test cap portion of the gasket can be removed by following these quick, easy steps:

1. Locate the dotted cutting line near the pull handle on the top surface of the gasket (Figure 3).
2. Using a sharp-bladed utility knife, reach down into the drain body and cut into the gasket along the dotted line. It is important to make sure that the cut is made fully through the two annular shaped rings shown in Figure 4. Failure to cut through these rings can result in tearing of the pull handle during removal of the cap.
3. Using a pair of long-handled channel lock pliers, grab the handle firmly and pull in a radial direction opposite of the cutting line (Figure 3).
4. Continue pulling the handle until the cap portion is completely severed from the body of the gasket.
5. Figure 5 shows a finished installation of the gasket after testing has been completed.

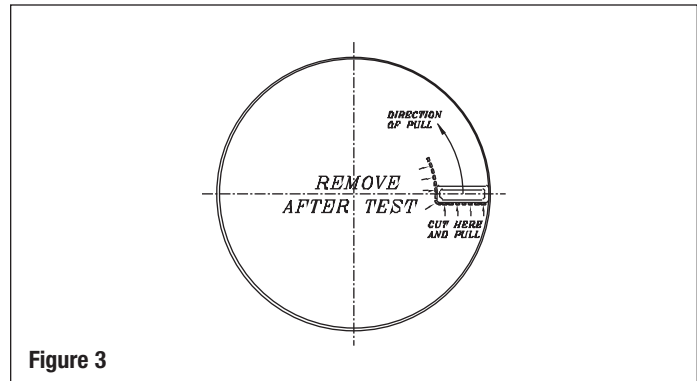


Figure 3

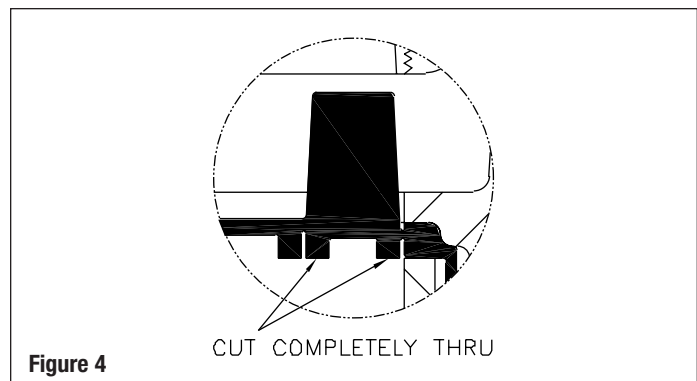


Figure 4

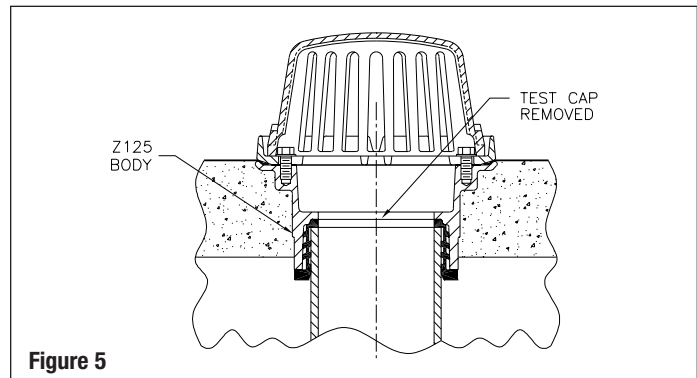


Figure 5