

Distributed by: BEST MATERIALS LLC
Ph: 1-800-474-7570, 1-602-272-8128 Fax: 1-602-272-8014
Email: sales@bestmaterials.com www.bestmaterials.com

VENTS & BREATHERS



BREATHERS AND VENTS

FEATURES:

- Provides pressure equalization in roof system
- Low cost, all-metal breather used for venting all types of insulation
- Spun from heavy gauge aluminum
- An extra wide base opening and security attached cap
- An optional foam insert is available to prevent moisture from condensing on the inside of the standpipe
- Simple & easy to install
- Unique cap design shields against entry of wind-blown rain or snow
- Flange may be coated with asphalt priming or PVC

One Way - Exclusive one-way valve design prevents moisture from re-entering roofing system

Two Way - Allows for both exhaust and convective movement of air

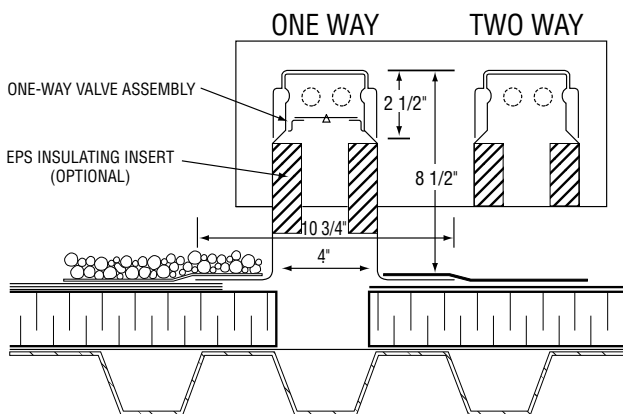
Note: Some vents are supplied with caps unattached for ease of installation.

ALUMINUM INSULVENTS

Asphalt priming is available on all metal vent products. The concentrated bituminous coating is factory applied to provide a secure bonding of asphalt membranes to vent flanges.



ALUMINUM INSULVENT



XLC VENT (Extra Large Capacity)

One Way & Two Way



LC VENT (Large Capacity)

One Way & Two Way

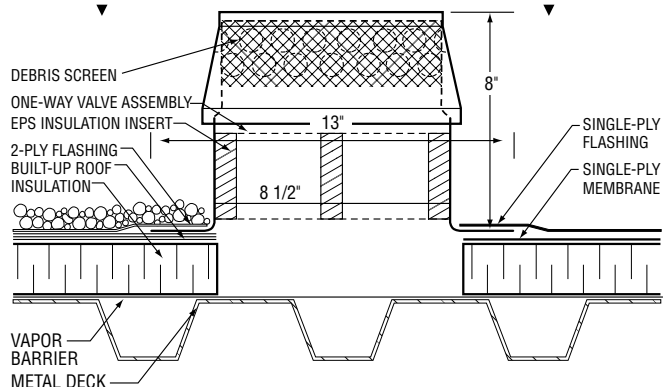


LARGE CAPACITY VENT (ONE WAY)

(ALUMINUM)

TYPICAL BUR APPLICATION

TYPICAL SINGLE-PLY APPLICATION



FOR ALL REASONS

MC VENT

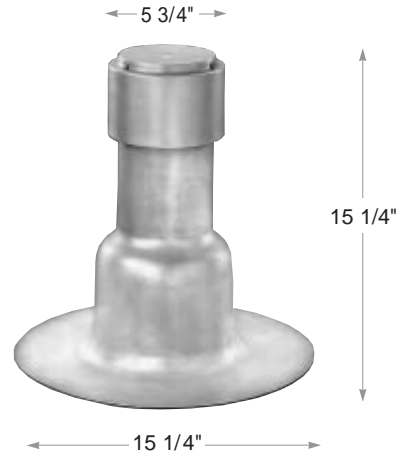
(Medium Capacity)
One Way & Two Way



HIGH SECURITY VENTS

Aluminum Roof Flashing

- Secures plumbing vent stacks
- Protects roof penetrations
- Reduces vandalism
- Simplifies installation
- Common school security application



SOL-A-VENT®

Solar Powered Roof Vents

- Positive venting—rain or shine
- Continuous, non-stop exhaust flow—day or night!
- Powered by nature
- Hyper-sensitive solar cell provides earlier, longer ventilation
- Sol-A-Vent's superior design maximizes air flow, seals out water
- Trouble-free installation and durable materials let you rest easy...



MC VENT EH

(Extra Height)
One Way & Two Way



SC VENT

(Small Capacity)
Two Way



MS-LP Aluminum Low Profile

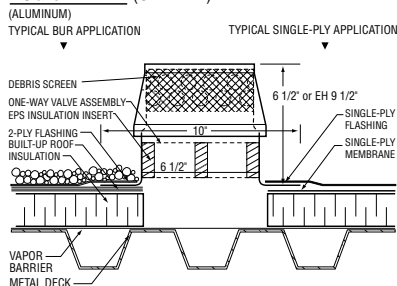
Available in a low profile style for applications where space or appearance limit using the taller standard size.



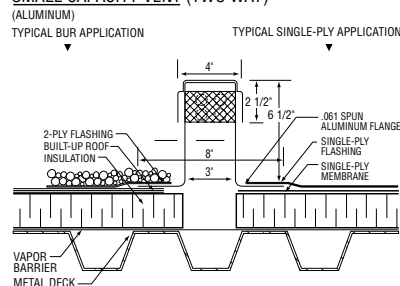
Universal Pitch SOL-A-VENT®

- Positive venting—rain or shine for flat or pitched roofs.
- Continuous, non-stop exhaust flow—day or night!
- Powered by nature
- Hyper-sensitive solar cell provides earlier, longer ventilation
- Sol-A-Vent's superior design maximizes air flow, seals out water
- Trouble-free installation and durable materials let you rest easy...

MC and EH VENT (ONE WAY)



SMALL CAPACITY VENT (TWO WAY)



FOR ALL SEASONS

Breather and Vent General Installation Instructions...

General installation instructions for BUR are as follows: Select a location over an insulation joint. Cut a 4" hole through felts and insulation. Make sure that the vapor barrier is not punctured. Center the vent over the opening making sure that the opening is free of debris and set in asphalt cement. Flash base flange with 2 plys of felt and asphalt cement. Extend first ply 6" beyond flange and second 9". Pour flood coat of asphalt to base of roof vent. For other roofing systems follow manufacturers' specifications.

For Further Technical Information...or The Name of Your Nearest Distributor...

Call Toll Free 1.800.828.8424

INSULATION VENTS

One Way or Two Way

- Available in high-density polyethylene (black) for BUR and modified bitumen applications or U.V. stabilized PVC (white) for PVC membrane and polyurethane foam applications
- Locking, vandal-proof cap prevents entry of wind-blown rain or snow
- Inexpensive, simple & easy to install

One Way -

Special one-way nitrile rubber valve prevents moisture from re-entering roofing system

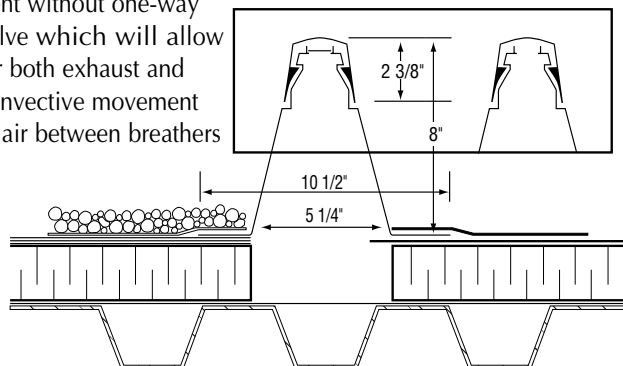
EX-FLOW®

M-105 INSULATION BREATHER

Two Way - Same features as Ex-Flow Vent without one-way valve which will allow for both exhaust and convective movement of air between breathers



ONE WAY TWO WAY



STANDARD BREATHERS

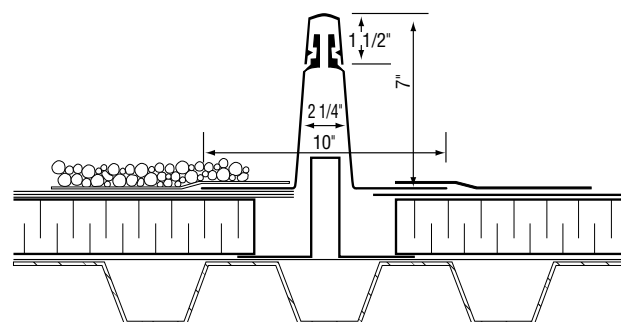
Two Way Only

- Economical two-way breather used for venting all types of insulation
- Molded from tough, high density polyethylene
- Easily installed with all BUR and modified bitumen roofing systems
- Locking cap prevents entry of wind-blown rain or snow
- Optional flute core allows for ventilation on the underside of the insulation

Two Way - Allows for both exhaust and convective movement of air between breathers



STANDARD BREATHER



PRODUCT SPECIFICATIONS	OVERALL HEIGHT	BASE OPENING	BASE OPENING WITH INSULATION INSERT	FLANGE DIAMETER	FLANGE MATERIAL	RECOMMENDED SPACING
ALUMINUM INSULVENTS	8 1/2 in. 216mm	4 in. 102mm	3 in. 76mm	10 3/4 in. 273mm	Aluminum	1 Per 1000 sq. ft. 93m ²
LC VENT (LARGE CAPACITY)	8 1/2 in. 216mm	8 in. 203mm	6 in. 152mm	13 in. 330mm	Aluminum	1 Per 1500 sq. ft. 139m ²
XLC (EXTRA LARGE CAPACITY)	11 1/2 in. 292mm	12 1/2 in. 317mm	N/A	17 1/4 in. 438mm	Aluminum	1 Per 2000 sq. ft. 186m ²
MC VENT (MEDIUM CAPACITY)	6 1/2 in. 165mm	6 1/2 in. 165mm	5 3/8 in. 136mm	10 in. 254mm	Aluminum	1 Per 1500 sq. ft. 139m ²
MC (EH)(EXTRA HEIGHT)	9 1/2 in. 241mm	6 1/2 in. 165mm	5 3/8 in. 136mm	10 in. 254mm	Aluminum	1 Per 1500 sq. ft. 139m ²
SC VENT (SMALL CAPACITY)	4 1/4 in. 108mm	2 7/8 in. 73mm	N/A	6 in. 152mm	Aluminum	1 Per 750 sq. ft. 70m
EX-FLOW INSULATION VENT	8 in. 203mm	5 1/4 in. 133mm	N/A	10 1/2 in. 267mm	HDPE or PVC	1 Per 1000 sq. ft. 93m ²
M-105 INSULATION BREATHER	8 in. 203mm	5 1/4 in. 133mm	N/A	10 1/2 in. 267mm	HDPE or PVC	1 Per 1000 sq. ft. 93m ²
STANDARD BREATHER	7 in. 178mm	2 1/4 in. 57mm	N/A	10 in. 254mm	HDPE	1 Per 1000 sq. ft. 93m ²

Distributors in major cities of the United States, Canada and Europe

Distributed by: **BEST MATERIALS LLC**

Ph: 1-800-474-7570, 1-602-272-8128 Fax: 1-602-272-8014

Email: sales@bestmaterials.com www.bestmaterials.com