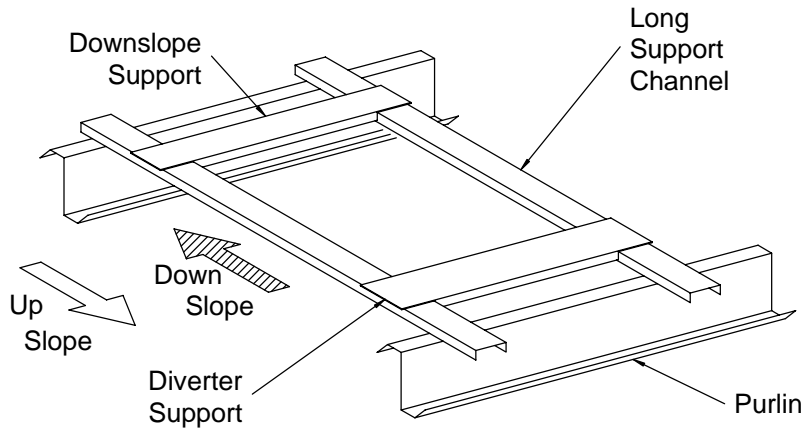


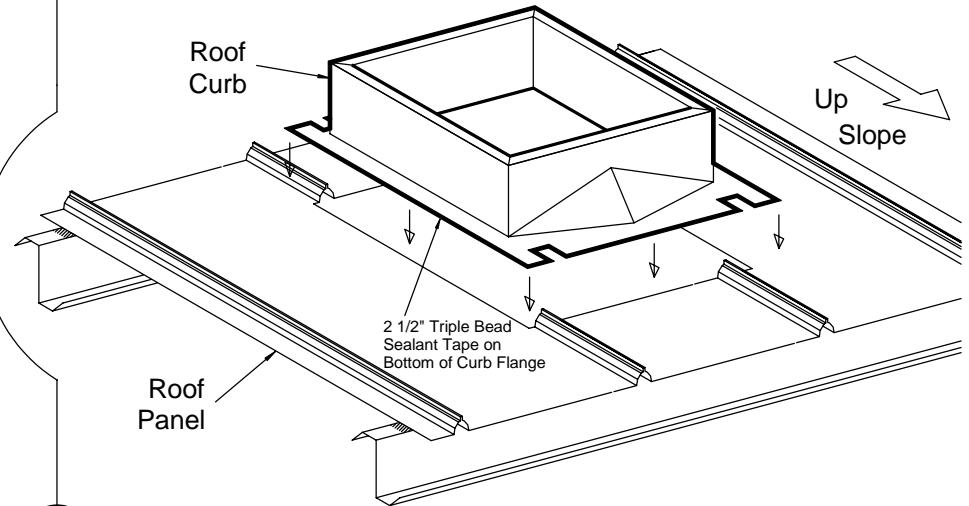
RPMB-1 (ONE PIECE, WITH LOOSE RIBS) METAL BLDG. ROOF CURB INSTALLATION FOR OVER-OVER ON R & SSR ROOF PANELS ON NEW CONSTRUCTION

- (1) Place and position long supports 6" beyond purlins. Attach downslope and diverter support to long support. Minimum of 2 parallel supports required. (Do not attach long supports to structure.)

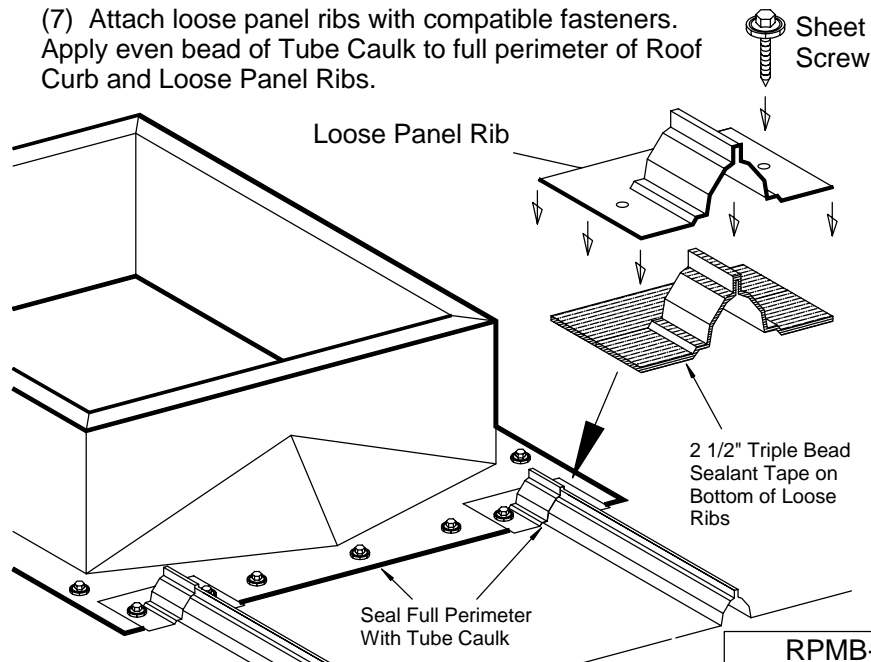
- (2) Attach Roof Panels



- (3) Make roof cut-out to curb outside dimensions plus 6" on ridge side, and 1 1/2" on eave side.



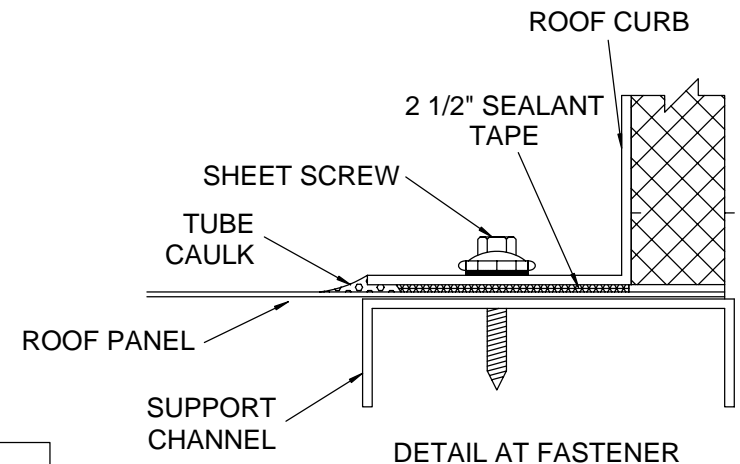
- (7) Attach loose panel ribs with compatible fasteners. Apply even bead of Tube Caulk to full perimeter of Roof Curb and Loose Panel Ribs.



- (4) Notch roof curb to allow curb to sit in the flat of panel.

- (5) Turn Roof curb upside down then apply 2 1/2" Triple Bead Sealant Tape to full perimeter of Roof Curb Flange.

- (6) Attach curb to roof panel with screws spaced no more than 4" o.c.



DETAIL AT FASTENER