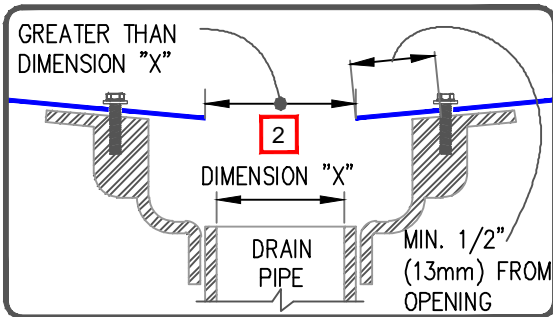


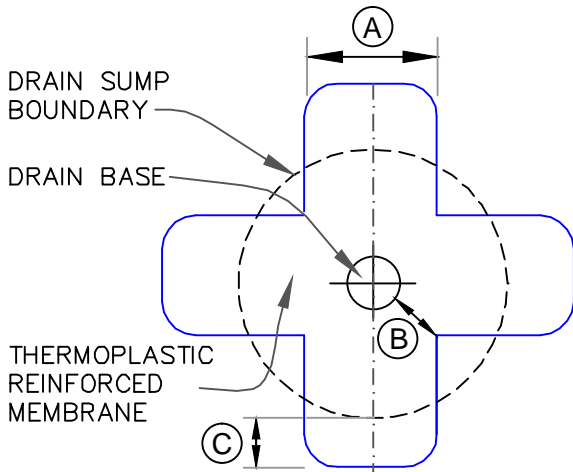
NOTES:

1. ROOF DRAIN SIZE AND NUMBER OF DRAINS SHALL BE IN ACCORDANCE WITH THE LOCAL CODES.
2. THE HOLE IN THE MEMBRANE SHALL EXCEED THE DIAMETER OF THE DRAIN PIPE, BUT SHALL BE NO LESS THAN 1/2" (13mm) FROM THE ATTACHMENT POINTS OF THE DRAIN CLAMPING RING.
3. ALL BOLTS OR CLAMPS MUST BE IN PLACE TO PROVIDE CONSTANT COMPRESSION ON WATER CUT-OFF MASTIC.
4. REMOVE EXISTING LEAD, FLASHING MATERIAL & ENSURE THE DRAIN RING IS COMPLETELY CLEAN DOWN TO BARE METAL.
5. APPROXIMATELY 1/8" (3mm) DIAMETER BEAD OF CUT-EDGE SEALANT IS REQUIRED ON CUT EDGES OF REINFORCED TPO MEMBRANE AND RECOMMENDED ON CUT EDGES OF SURE-FLEX PVC MEMBRANE.

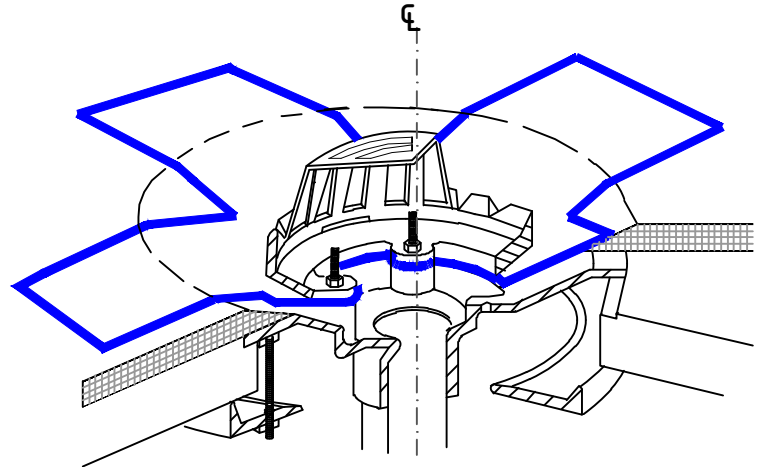


CONTINUED NEXT PAGE

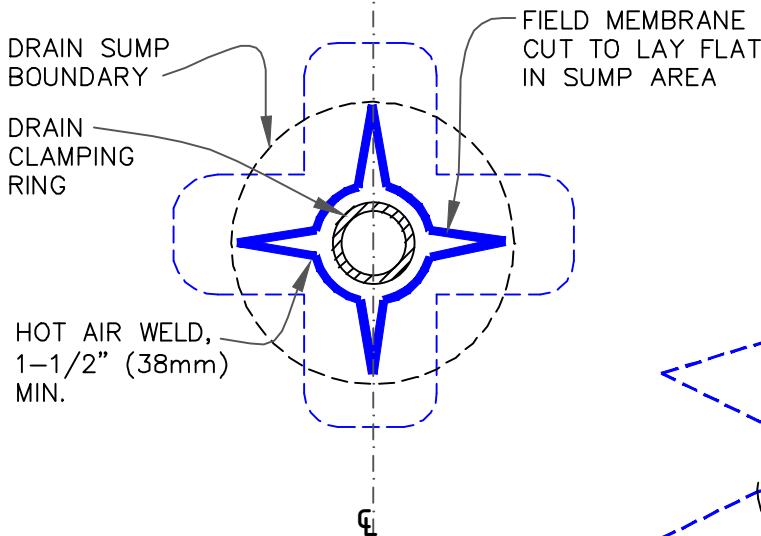
<p>— THERMOPLASTIC REINFORCED MEMBRANE</p> <p>— APPROVED INSULATION</p> <p>0 — SEE NOTE(S)</p>	<p>ROOF DRAIN (DRAIN SUMP GREATER THAN 3 INCHES TO 1 HORIZONTAL FOOT) - OPTION 2, PAGE 1 OF 2</p> <p>For additional information, refer to Specifications</p>	<p>DETAIL NO.</p> <p>U-6C</p> <p>THERMOPLASTIC UNIVERSAL</p>
--	--	---



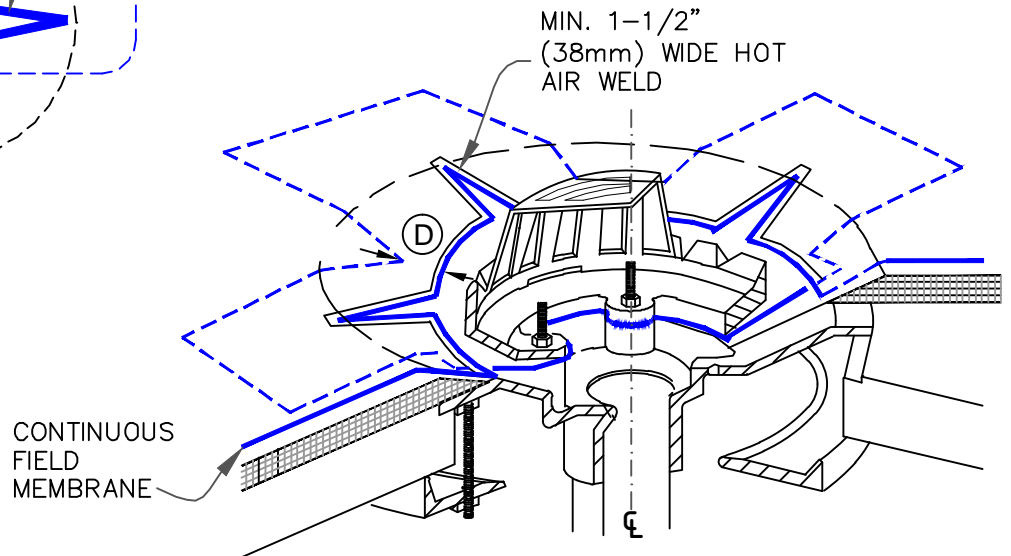
CUT SECTION OF THERMOPLASTIC REINFORCED MEMBRANE AS SHOWN AND POSITION INTO DRAIN SUMP. EXTEND MEMBRANE OUT OF DRAIN SUMP APPROXIMATELY 6" (152mm) (ROUND CORNERS).






EXTEND THERMOPLASTIC MEMBRANE ONTO MEMBRANE SECTION POSITIONED AT DRAIN SUMP AND CUT AS SHOWN TO LAY FLAT IN SUMP. HOT AIR WELD A MINIMUM OF 1-1/2" (38mm) COMPLETELY SURROUNDING AREA.



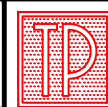
DIMENSIONS		mm	
(A)	12"	305	MIN.
(B)	6"	152	MIN.
(C)	6"	152	APPROX.
(D)	3"	76	MIN.



 THERMOPLASTIC REINFORCED MEMBRANE
 APPROVED INSULATION
 SEE NOTE(S)

ROOF DRAIN (DRAIN SUMP GREATER THAN 3 INCHES TO 1 HORIZONTAL FOOT) - OPTION 2, PAGE 2 OF 2

For additional information, refer to Specifications



DETAIL NO.

U-6C.1

THERMOPLASTIC UNIVERSAL