

Heavy Pipe *KnuckleHead* Assembly

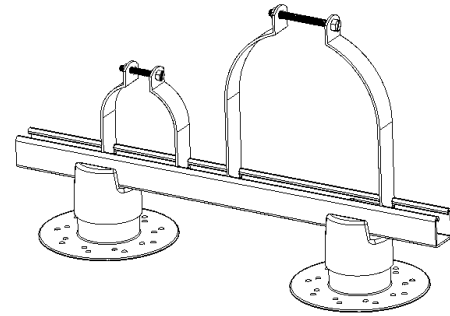
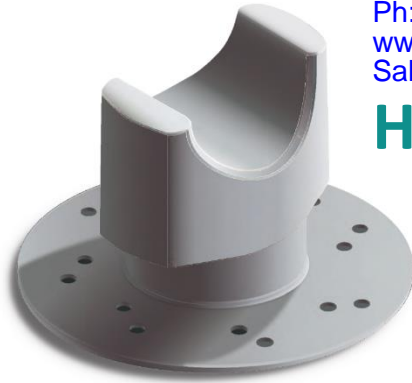


Figure 2: [P/N 2007] Strut *KnuckleHead* Assembly

DESCRIPTION

GreenLink is happy to introduce a new style of *KnuckleHead* - **Heavy Pipe *KnuckleHead* Assembly**. Made of the same tough reinforced nylon as the original *KnuckleHead*, **Heavy Pipe *KnuckleHead* Assembly** carries pipes up to 3" in nominal size. Heavy Pipe Assembly is



fully adjustable and safely supports a load in excess of 600 pounds per *KnuckleHead*. The Universal *KnuckleHead*

Base (Fig. 1 and 2) is designed to be bonded to the roofing membrane using super adhesive M-1®. *KnuckleHead* design allows hardened steel roofing screws to be fastened to steel decking, creating at least 600 lbs of holding power to resist the uplift. Mechanical fastener access is fully concealed under the *KnuckleHead*. The perimeter of the Universal *KnuckleHead* Base features multiple holes that allow M-1® adhesive to be extruded through to create a stronger and faster bond, essentially creating adhesive "rivets."

COMPREHENSIVE SOLUTION

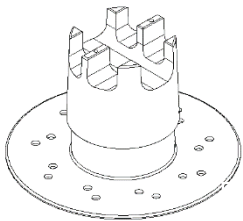


Figure 1

GreenLink offers a comprehensive, economical and safe pipe management solution for low slope commercial roofs (see Table 1).



The original 1" Lite Pipe *KnuckleHead* (see Fig. 1) accommodates all nominal pipe sizes up to 1" (max OD 1.315").

Table 1: Comprehensive Pipe Management System (see Fig 2).

Heavy pipes of nominal sizes greater than 3" are efficiently managed by the Strut *KnuckleHead* Assembly (see Fig. 2). Strut channel and strut-mount metal routing clamps system is permanently bonded to the assembly, creating versatile structures.

