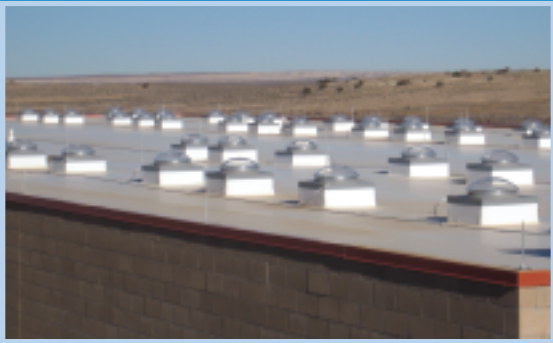
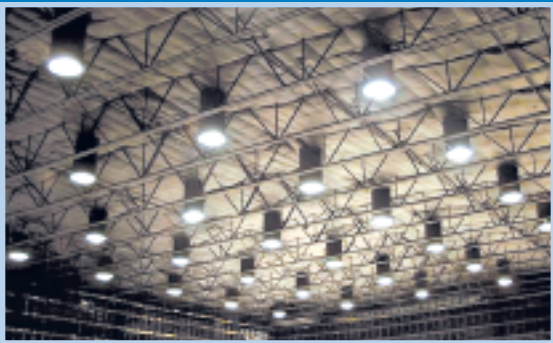


NATURAL LIGHT TUBULAR SKYLIGHTS

The Difference is Night and Day!



Dark warehouses and commercial office buildings are no match for Natural Light's 21" tubular skylights. Installed on virtually any type of roof surface in under two hours, our 21" commercial units are capable of delivering up to 1400 watts of light without heat gain or the heat loss of a standard framed-in skylight.



25 YEAR PRODUCT WARRANTY

ICC-ES LISTED

FLORIDA BUILDING CODE APPROVED

HURRICANE TESTED & APPROVED



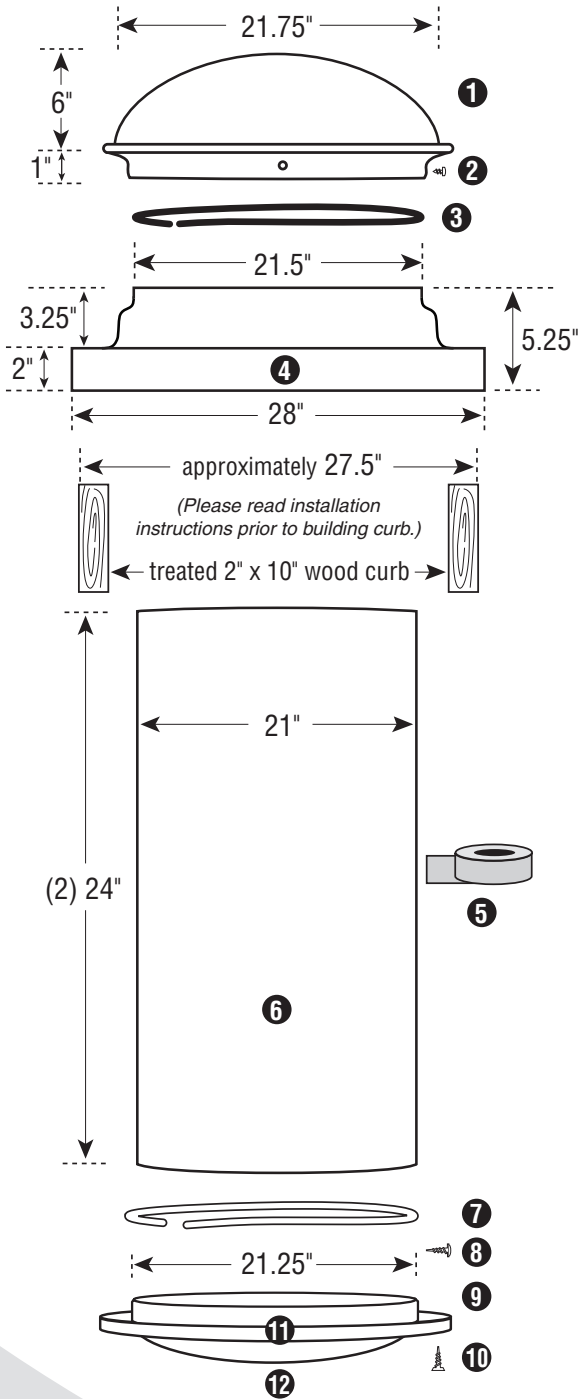
Distributed by Best Materials LLC

For more information call:

800.474.7570, 602.272.8128

Website: <http://www.bestmaterials.com> ✉ E-mail: sales@bestmaterials.com

21" Curb Tubular Skylight Technical Specifications



21" CURB-MOUNTED FLASHING

1. Clear UV Protected, 100% High Impact Modified Acrylic Dome
2. (4) Philips Head Stainless Steel 1/4" Sheet Metal Screws
3. Black Nylon Horse Hair Gasket (Self-Adhesive Backed)
4. Commercial Pure Grade, 1100 Series Aluminum Flashing
5. Heavy Duty Foil Tape
6. Light Pipe, (2) 24" Sections per Kit
7. White Nylon Horse Hair Gasket (Self-adhesive Backed)
8. (6) Tek Screws
9. (3) Black Speed Nuts
10. (3) 1 1/2" Phillips Screws
11. White Powder Coated Aluminum Trim Ring/Ceiling Ring
12. High Impact Acrylic Soft White or Prismatic Diffuser

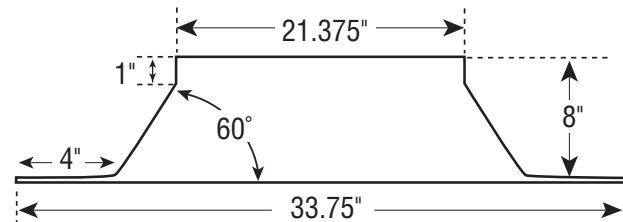
COVERAGE AREA - up to 700 sq. ft.

WATTAGE OUTPUT EQUIVALENT - up to 1450 watts

MAXIMUM TUBE LIGHT LENGTH - 20 feet

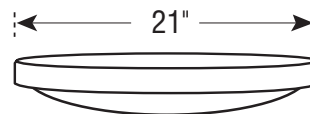


21" FLAT ROOF FLASHING



WAREHOUSE 21" TRIM RING

for suspended installations in open ceilings



TRANSITION BOX

for drop ceiling installations

