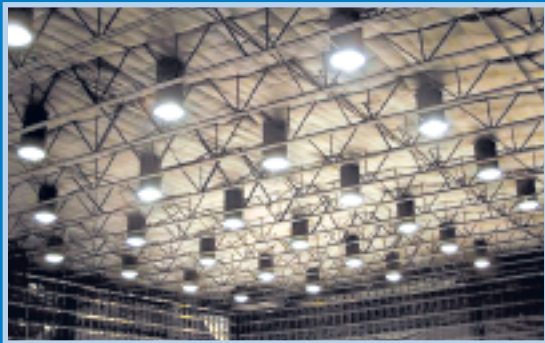


NATURAL LIGHT TUBULAR SKYLIGHTS

The Difference is Night and Day!



Dark warehouses and commercial office buildings are no match for Natural Light's 21" tubular skylights. Installed on virtually any type of roof surface in under two hours, our 21" commercial units are capable of delivering up to 1400 watts of light without the heat gain or loss of standard framed-in skylights.



25 YEAR PRODUCT WARRANTY

ICBO TESTED & APPROVED

FLORIDA BUILDING CODE APPROVED

HURRICANE TESTED & APPROVED

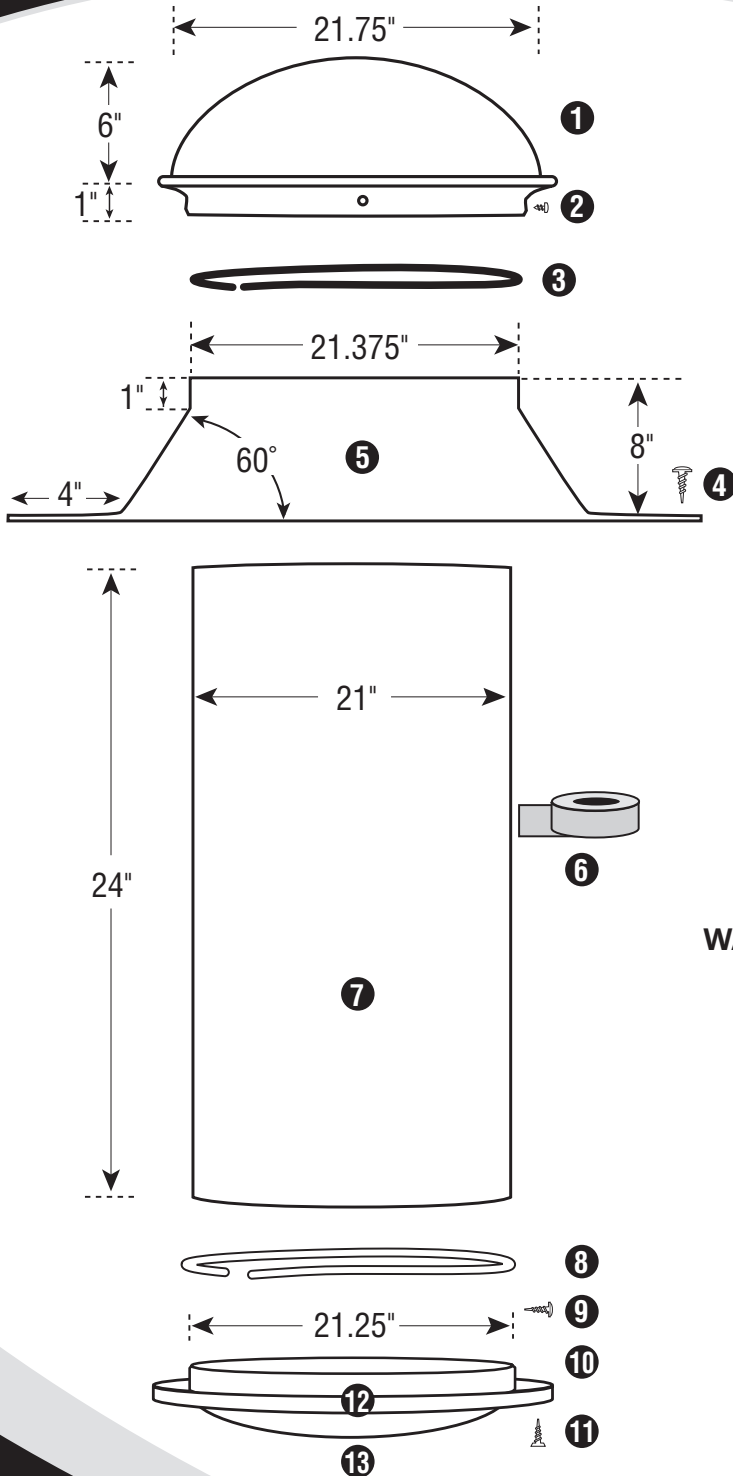
 **Natural Light**
ENERGY SYSTEMS

Distributed by: **Best Materials LLC**

Phone: **800-474-7570, 602.272.8128**

www.bestmaterials.com Email: sales@bestmaterials.com

21" Tubular Skylight Technical Specifications



21" FLAT ROOF FLASHING

1. Clear UV Protected, 100% High Impact Modified Acrylic Dome
2. (4) Philips Head Stainless Steel 1/4" Sheet Metal Screws
3. Black Nylon Horse Hair Gasket (Self-Adhesive Backed)
4. (6) Phillips Head Stainless Steel 1 1/2" Screws
5. Commercial Pure Grade, 1100 Series Aluminum Flashing
6. Heavy Duty Foil Tape
7. Light Pipe, (2) 24" Sections per Kit
8. White Nylon Horse Hair Gasket (Self-adhesive Backed)
9. (6) Tek Screws
10. (3) Black Speed Nuts
11. (3) 1 1/2" Phillips Screws
12. White Powder Coated Aluminum Trim Ring/Ceiling Ring
13. High Impact Acrylic Soft White or Prismatic Diffuser

COVERAGE AREA - up to 700 sq. ft.

WATTAGE OUTPUT EQUIVALENT - up to 1450 watts

MAXIMUM TUBE LIGHT LENGTH - 20 feet



WAREHOUSE 21" TRIM RING

for suspended installations in open ceilings

