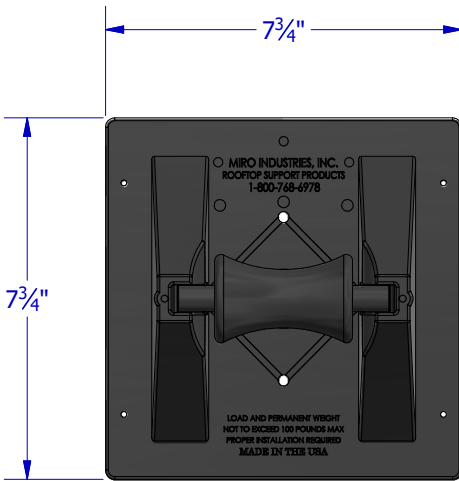
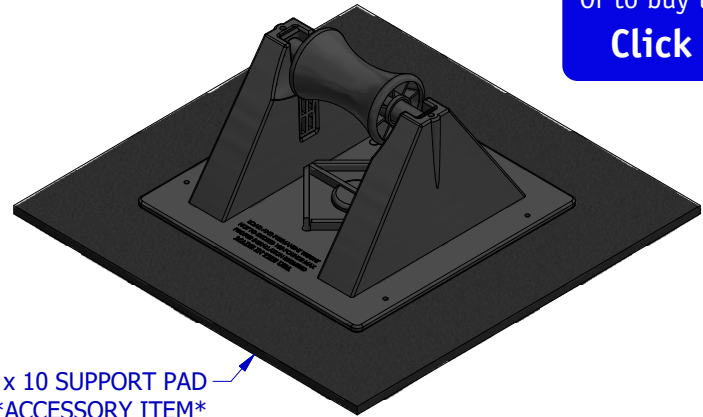


MIRO INDUSTRIES, INC.

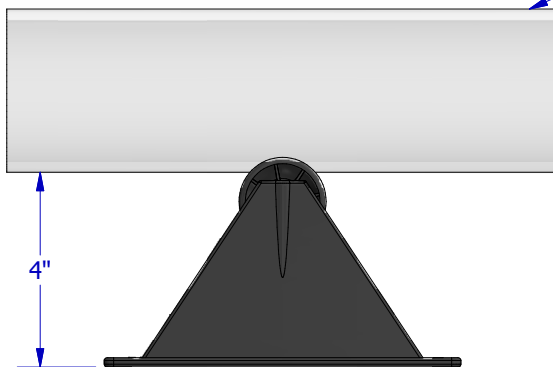
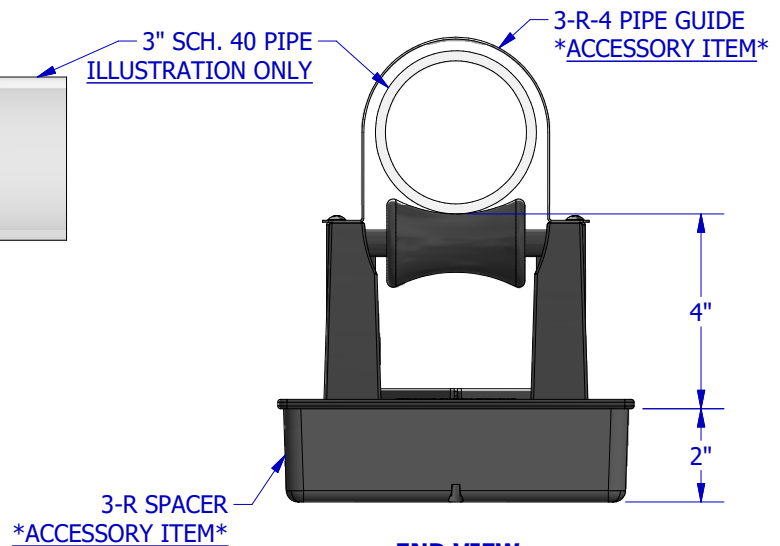


ROOFTOP SUPPORT PRODUCTS

For more information  
Or to buy this product  
**Click here**

**TOP VIEW**

10 x 10 SUPPORT PAD  
\*ACCESSORY ITEM\*

**ISOMETRIC VIEW****SIDE VIEW****END VIEW****ACCESSORIES**

- 3-R-4 pipe guide
- 3-R spacer
- Support pad
- Eternabond® 2-sided tape

**PRODUCT DESCRIPTION**

A "roller-bearing" pipe support used to support roof-mounted gas pipes, electrical conduit, solar piping and other mechanical piping.

Unique design absorbs thermal expansion and contraction of pipes thus preventing damage to the roof membrane.

Pipes rest on a polycarbonate resin roller and a rod situated in a polycarbonate resin seat.

**KEY INFORMATION**

- Support is optimized to carry up to a 3" pipe.
- Maximum pipe OD for the support is 3 3/4".
- Pipe clearance is 4"
- Maximum load is 118 lbs. based on 3.0 psi to the roof deck. Even load required.
- 24 per case, 27 lbs. per case, (DW=28 lbs.)
- Recommended spacing is not to exceed 7' centers depending upon the load. Make certain each pipe support is properly elevated to evenly distribute weight at all pipe support locations.
- Base Material: Polycarbonate
- Axle and Roller Material: Polycarbonate