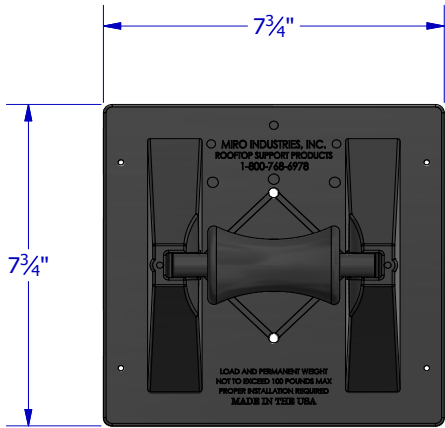
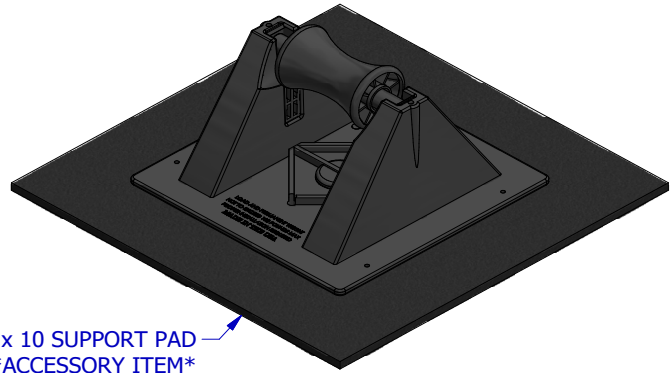


For more information
Or to buy this product
Click here

MIRO INDUSTRIES, INC. M ROOFTOP SUPPORT PRODUCTS

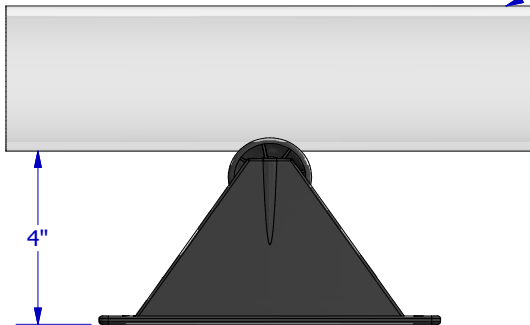


TOP VIEW

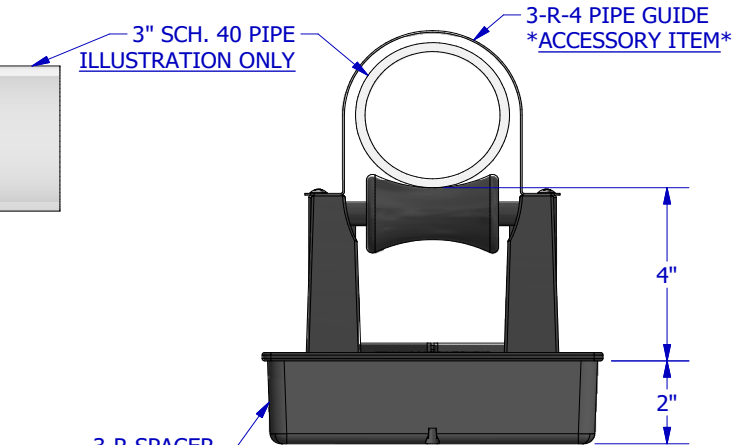


10 x 10 SUPPORT PAD
ACCESSORY ITEM

ISOMETRIC VIEW



SIDE VIEW



3-R SPACER
ACCESSORY ITEM

END VIEW

ACCESSORIES

- 3-R-4 pipe guide
- 3-R spacer
- Support pad
- Eternabond® 2-sided tape

PRODUCT DESCRIPTION

A "roller-bearing" pipe support used to support roof-mounted gas pipes, electrical conduit, solar piping and other mechanical piping. Unique design absorbs thermal expansion and contraction of pipes thus preventing damage to the roof membrane. Pipes rest on a polycarbonate resin roller and a rod situated in a polycarbonate resin seat.

KEY INFORMATION

- Support is optimized to carry up to a 3" pipe.
- Maximum pipe OD for the support is 3 3/4".
- Pipe clearance is 4"
- Maximum load is 118 lbs. based on 3.0 psi to the roof deck. Even load required.
- 24 per case, 27 lbs. per case, (DW=28 lbs.)
- Recommended spacing is not to exceed 7' centers depending upon the load. Make certain each pipe support is properly elevated to evenly distribute weight at all pipe support locations.
- Base Material: Polycarbonate
- Axle and Roller Material: Polycarbonate

The information contained in this drawing is the sole property of MIRO Industries, Inc. Any reproduction in part or as a whole without written permission of MIRO Industries, Inc. is prohibited.

DATE:
JAN 2019

3-R-4