

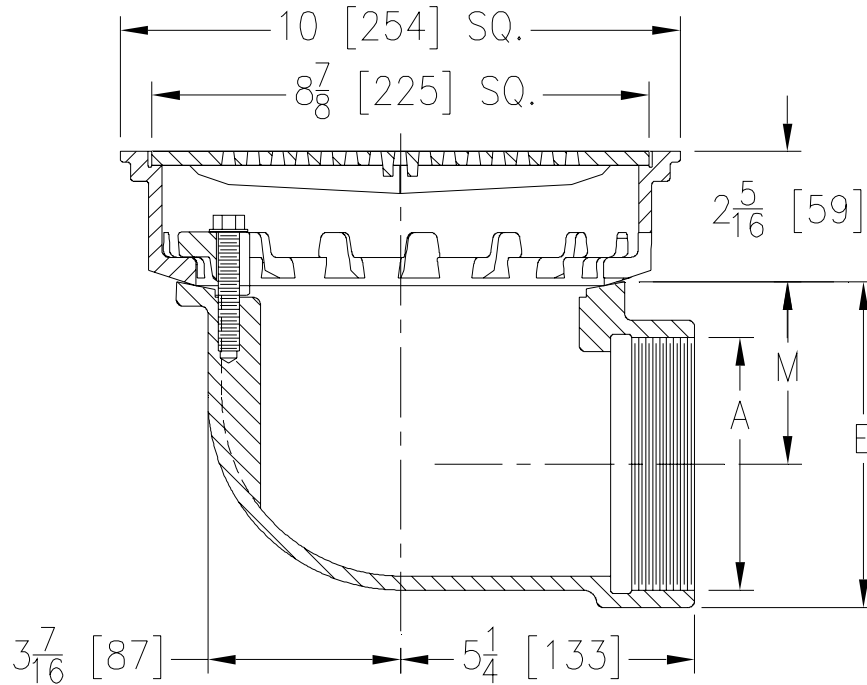


Z158-90

SPECIFICATION SHEET

**10 [254] LATERAL PROM-DECK DRAIN WITH
HEEL-PROOF GRATE**

Dimensional Data (inches and [mm]) are Subject to Manufacturing Tolerances and Changes Without Notice



| Dimensions In Inches | | Approx. Wt. Lbs. [kg] | Dome Open Area Sq. In [cm ²] |
|----------------------|--------------|-----------------------|--|
| A Pipe Size | M | | |
| 2 [51] | 4 7/16 [108] | 30 [14] | 21 [136] |
| 3 [76] | 3 7/8 [140] | 30 [14] | 21 [136] |
| 4 [102] | 3 3/8 [81] | 29 [13] | 21 [136] |

ENGINEERING SPECIFICATION: ZURN Z158-90

10 [254] Lateral Prom-Deck drain, Dura-Coated cast iron body with rotatable square promenade frame with seepage openings, frame clamps, and light-duty heel-proof grate.

OPTIONS (Check/specify appropriate options)

PIPE SIZE

2 thru 4 [51 thru 102]

(Specify size) **OUTLET**

___ IP Threaded

'E' BODY HT. DIM.

6 [154]

PREFIXES

- ___ Z D.C.C.I. Body with Top*
- ___ ZB D.C.C.I. Body with Polished Bronze Top
- ___ ZN D.C.C.I. Body with Polished Nickel Bronze Top

SUFFIXES

- ___ -AR Acid Resistant Epoxy Coated
- ___ -C Underdeck Clamp
- ___ -DG Duresist Grate (Z Only)
- ___ -DP Top-Set® Roof Deck Plate (Replaces both -C and -R)
- ___ -E 2 [51] High Static Extension
- ___ -G Galvanized Cast Iron
- ___ -R Roof Sump Receiver
- ___ -SC Secondary Clamp Collar
- ___ -TS Top Secured with Slotted Screws
- ___ -VP Vandal-Proof Secured Top
- ___ -85 Stainless Steel Perforated Extension

*REGULARLY FURNISHED UNLESS OTHERWISE SPECIFIED

| | | |
|-----------------------|----------------------------|-----------------------|
| REV. C | DATE: 12/18/07 | C.N. NO. 97872 |
| DWG. NO. 35432 | PRODUCT NO. Z158-90 | |