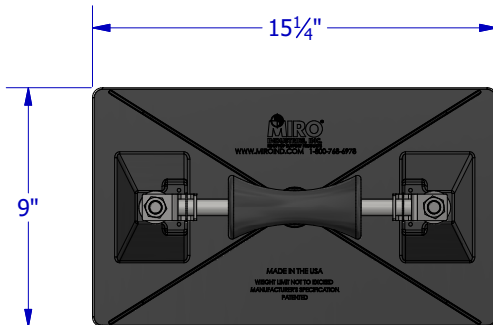
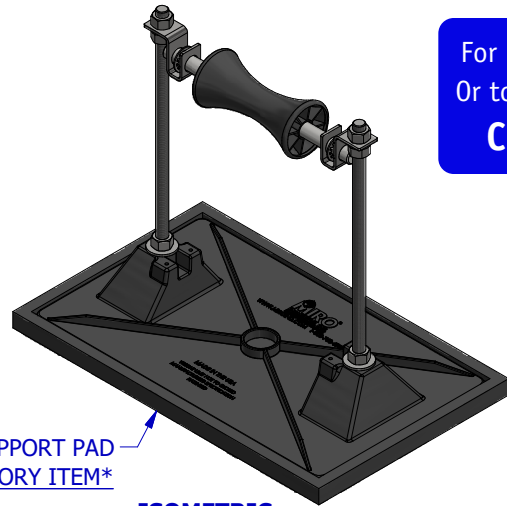


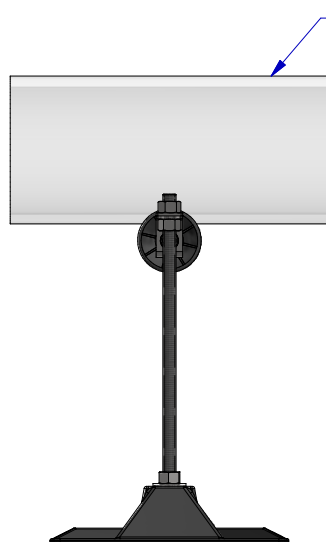
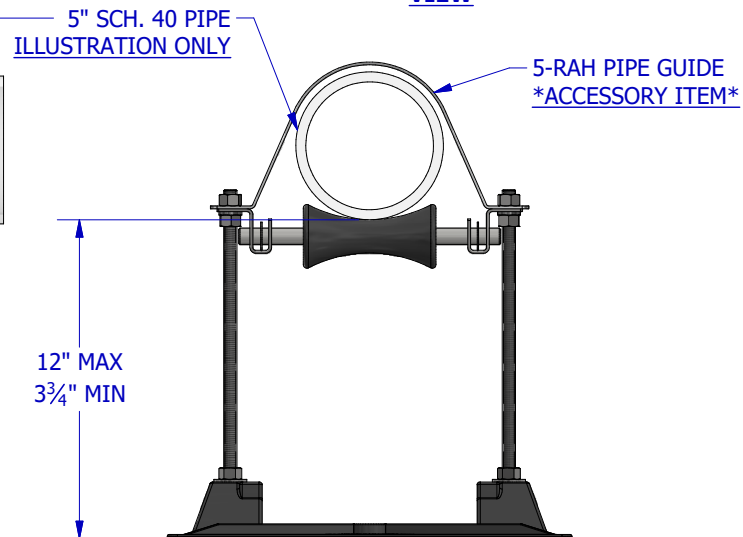
MIRO INDUSTRIES, INC.



ROOFTOP SUPPORT PRODUCTS

**TOP VIEW****ISOMETRIC VIEW**

9" x 15 $\frac{1}{4}$ " SUPPORT PAD
ACCESSORY ITEM

**SIDE VIEW****END VIEW**

12" MAX
3 $\frac{3}{4}$ " MIN

For more information
Or to buy this product
Click here

ACCESSORIES

- Refer to 5-RAH Pipe Guide specification for available sizes.
- 9" x 15 $\frac{1}{4}$ " Support pad
- Eternabond® 2-sided tape

PRODUCT DESCRIPTION

A "roller-bearing" pipe support used to support roof-mounted gas pipes, electrical conduit, solar piping and other mechanical piping. Unique design absorbs thermal expansion and contraction of pipes thus preventing damage to the roof membrane. Pipes rest on a self-lubricating polycarbonate resin roller and a stainless steel axle.

KEY INFORMATION

- Optimally designed for a 5" pipe.
- Maximum pipe OD (with insulation) is 8-1/2".
- Adjustable from the factory set maximum height of 12" down to a minimum height of 3-3/4".
- Maximum load is 335 lbs. (3.0 psi) Make certain each pipe support is properly elevated to evenly distribute weight at all pipe support locations.
- Unit weight: 4.32 lbs.
- 6 per case, 26 lbs. per case, (DW=36 lbs.)
- Recommended spacing is not to exceed 10' centers depending upon the load.
- Base Material: Polycarbonate
- Roller Material: Polycarbonate
- 1/2" all-thread and 5/8" axle are stainless steel
- All other metal parts are hot-dip galvanized

The information contained in this drawing is the sole property of MIRO Industries, Inc. Any reproduction in part or as a whole without written permission of MIRO Industries, Inc. is prohibited.

DATE:

JAN 2019

5-RAH-12