



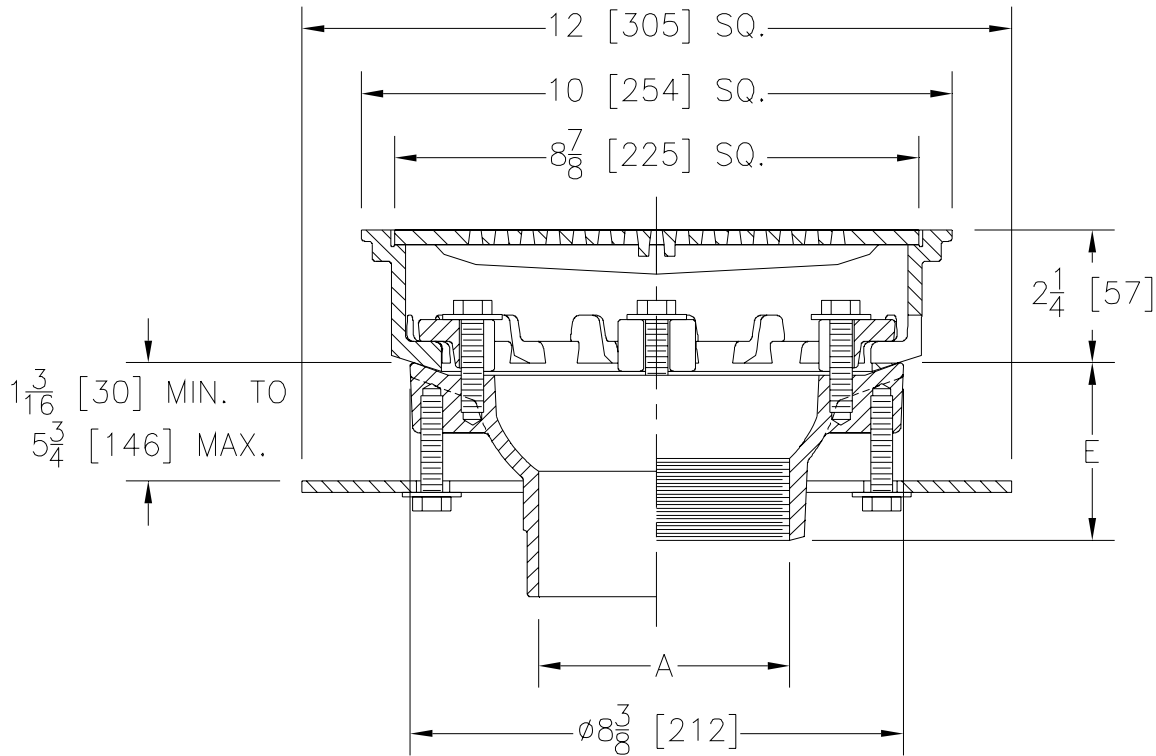
Z158-C

SPECIFICATION SHEET

10 [254] SQUARE TOP PROM-DECK DRAIN WITH HEEL-PROOF GRATE AND UNDERDECK CLAMP

TAG _____

Dimensional Data (inches and [mm]) are Subject to Manufacturing Tolerances and Changes Without Notice



A- Pipe Size In.	Approx. Wt. Lbs. [kg]	Grate Open Area Sq. In. [cm ²]
2-3-4 [51-76-102]	22 [10]	21 [136]

ENGINEERING SPECIFICATION: ZURN Z158-C

10 [254] Square Top Prom-Deck drain, Dura-Coated cast iron body with rotatable square promenade frame with seepage openings, frame clamps, light-duty heel-proof grate, and underdeck clamp.

OPTIONS (Check/specify appropriate options)

PIPE SIZE

- 4 [102]
- 3 [76]
- 2 [51]
- 2-3-4 [51-76-102]

(Specify size/type) OUTLET

- ___ IP Threaded
- ___ IP Threaded
- ___ IP Threaded
- ___ NH No-Hub

'E' BODY HT. DIM.

- 3 [76]
- 2 3/4 [70]
- 2 7/16 [62]
- 4 [102]

PREFIXES

- ___ Z D.C.C.I. Body with Top*
- ___ ZB D.C.C.I. Body with Polished Bronze Top
- ___ ZN D.C.C.I. Body with Polished Nickel Bronze Top

SUFFIXES

- ___ -AR Acid Resistant Epoxy Coated
- ___ -DG Duresist Grate (Z Only)
- ___ -E 2 [51] High Static Extension
- ___ -G Galvanized Cast Iron
- ___ -R Roof Sump Receiver
- ___ -SC Secondary Clamping Collar
- ___ -TS Top Secured with Slotted Screws
- ___ -VP Vandal-Proof Secured Top
- ___ -XJ Vertical Expansion Joint (See Z190)
- ___ -Y Sediment Bucket
- ___ -85 Stainless Steel Perforated Extension
- ___ -90 90° Threaded Side Outlet Body (2 [51] thru 4 [102])

*REGULARLY FURNISHED UNLESS OTHERWISE SPECIFIED

REV. F DATE: 4/10/08 C.N. NO. 98349

DWG. NO. 59932 PRODUCT NO. Z158-C