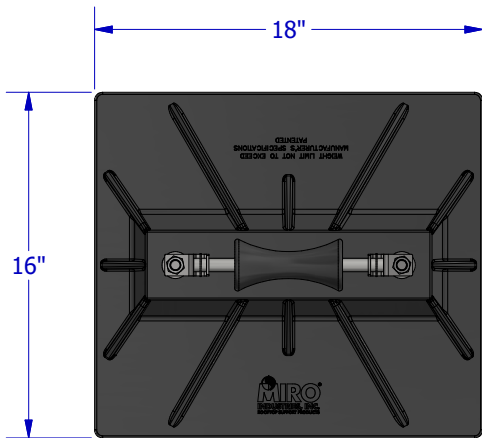


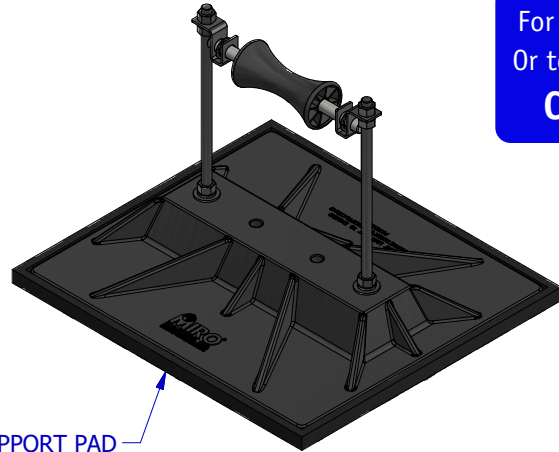
MIRO INDUSTRIES, INC.



ROOFTOP SUPPORT PRODUCTS



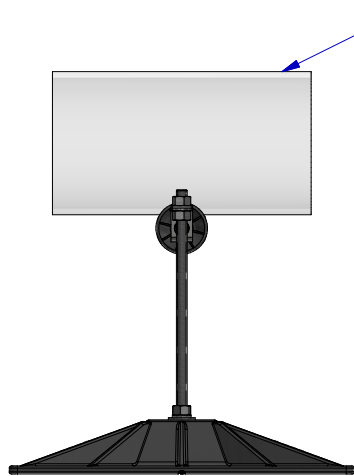
**TOP VIEW**



**ISOMETRIC VIEW**

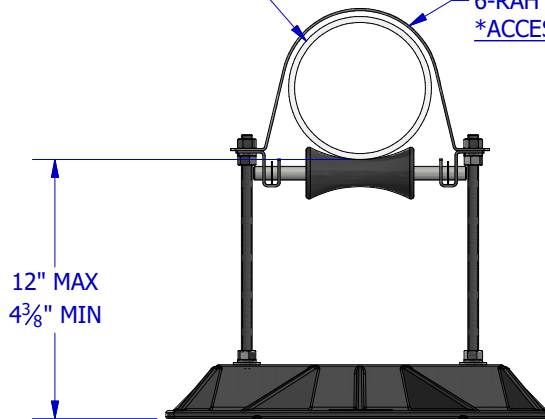
16" x 18" SUPPORT PAD  
 \*ACCESSORY ITEM\*

For more information  
 Or to buy this product  
[Click here](#)



**SIDE VIEW**

6" SCH. 40 PIPE  
 ILLUSTRATION ONLY



**END VIEW**

6-RAH PIPE GUIDE  
 \*ACCESSORY ITEM\*

12" MAX  
 4 3/8" MIN

**ACCESSORIES**

- Refer to 6-RAH Pipe Guide specification for available sizes.
- 16" x 18" Support pad
- Eternabond® 2-sided tape

**PRODUCT DESCRIPTION**

A "roller-bearing" pipe support used to support roof-mounted gas pipes, electrical conduit, solar piping and other mechanical piping. Unique design absorbs thermal expansion and contraction of pipes thus preventing damage to the roof membrane. Pipes rest on a self-lubricating polycarbonate resin roller and a stainless steel axle.

**KEY INFORMATION**

- Optimally designed for a 6" pipe.
- Maximum pipe OD (with insulation) is 8-1/2".
- Adjustable from the factory set maximum height of 12" down to a minimum height of 4-3/8".
- Maximum load is 578 lbs. (3.0 psi) Make certain each pipe support is properly elevated to evenly distribute weight at all pipe support locations.
- Unit weight: 7.47 lbs.
- 4 per case, 35 lbs. per case, (DW=47 lbs.)
- Recommended spacing is not to exceed 10' centers depending upon the load.
- Base Material: Polycarbonate
- Roller Material: Polycarbonate
- 1/2" all-thread and 5/8" axle are stainless steel
- All other metal parts are hot-dip galvanized

The information contained in this drawing is the sole property of MIRO Industries, Inc. Any reproduction in part or as a whole without written permission of MIRO Industries, Inc. is prohibited.

DATE:  
 JAN 2019

6-RAH-12