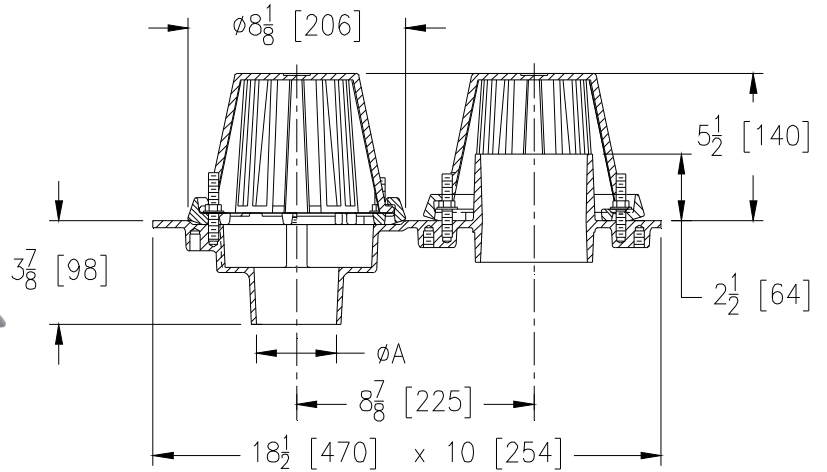
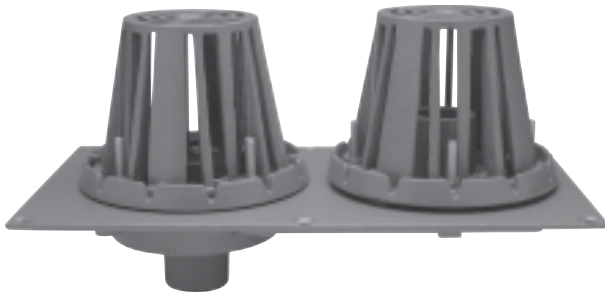




RD2130 Combination Roof Drain and Overflow

SPECIFICATION SHEET
 TAG _____

Dimensional Data (inches and [mm]) are Subject to Manufacturing Tolerances and Change Without Notice



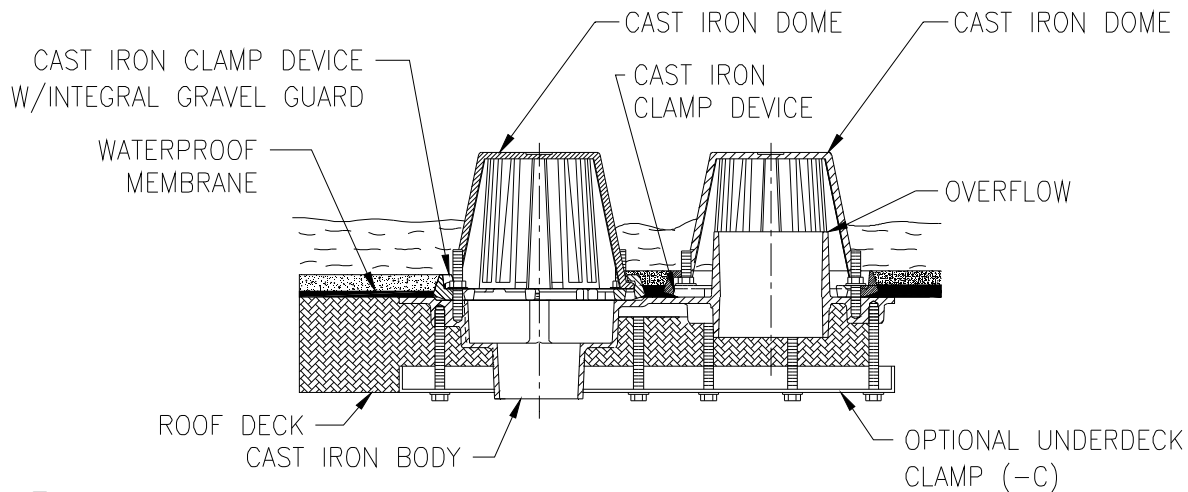
Product	'A' Connections	Dome Open Area Sq. In. [cm ²]
___ RD2130-NH2	2 [51] No-Hub	82 [529]
___ RD2130-NH3	3 [76] No-Hub	
___ RD2130-NH4	4 [102] No-Hub	

RD2130 Combination Roof Drain and Overflow
 Constructed of a Dura-Coated cast iron body. Standard to the roof drain is a cast iron clamp device with an integral gravel guard, roof sump receiver, and cast iron dome strainer.

Options:

- ___ **-C** Underdeck Clamp
- ___ **-VP** Vandal-Proof Screws for Dome

Typical Installation



Features

- This unique drain offers connections for an overflow drain pipe to protect the roof from overflow conditions.
- Integral roof sump receiver.
- Cast iron clamp device is provided to ensure strength and stability necessary for a water-tight seal.

* Regularly furnished unless otherwise specified.