



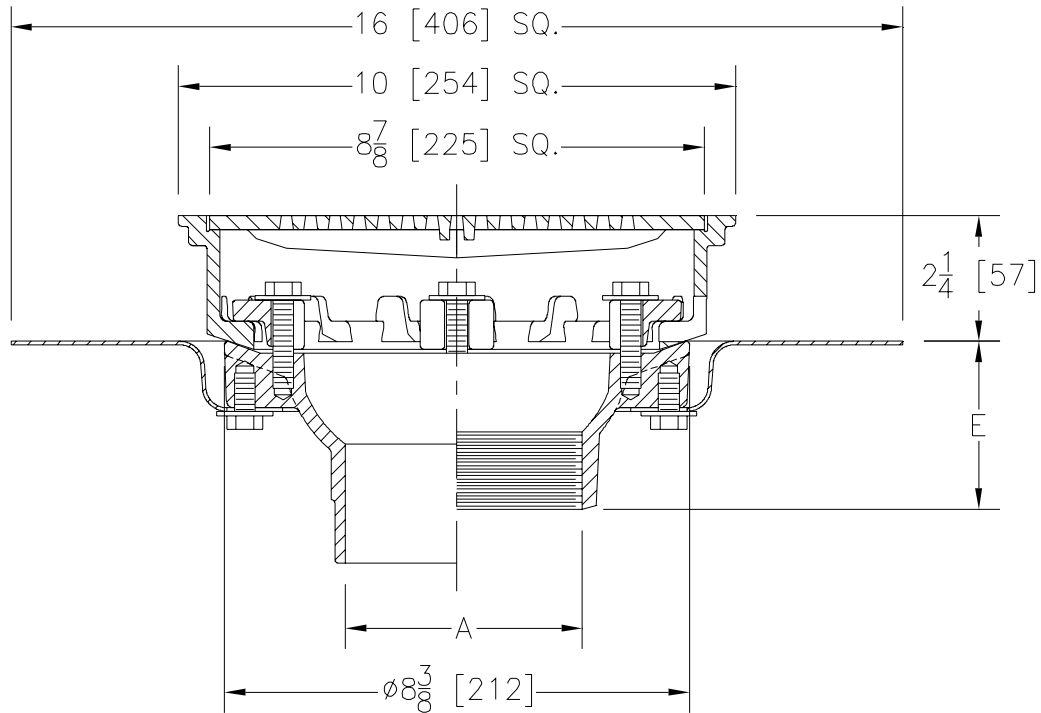
Z158-DP

10 [254] SQUARE TOP PROM-DECK DRAIN W/ HEEL-PROOF GRATE & TOP-SET® DECK PLATE

SPECIFICATION SHEET

TAG _____

Dimensional Data (inches and [mm]) are Subject to Manufacturing Tolerances and Changes Without Notice



A Pipe Size In.	Approx. Wt. Lbs. [kg]	Grate Open Area Sq. In. [cm ²]
2-3-4 [51-76-102]	26 [12]	21 [136]

ENGINEERING SPECIFICATION: ZURN Z158-DP
10 [254] Prom-Deck drain, Dura-Coated cast iron body with rotatable square promenade frame with seepage openings, frame clamps, Top-Set® Deck Plate and light-duty heel-proof grate.

OPTIONS (Check/specify appropriate options)

PIPE SIZE

- 4 [102]
- 3 [76]
- 2 [51]
- 2-3-4 [51-76-102]

(Specify size/type) **OUTLET**

- ___ IP Threaded
- ___ IP Threaded
- ___ IP Threaded
- ___ NH No-Hub

'E' BODY HT. DIM.

- 3 [76]
- 2 3/4 [70]
- 2 7/16 [62]
- 4 [102]

PREFIXES

- ___ Z D.C.C.I. Body with Top*
- ___ ZB D.C.C.I. Body with Polished Bronze Top
- ___ ZN D.C.C.I. Body with Polished Nickel Bronze Top

SUFFIXES

- ___ -AR Acid Resistant Epoxy Coated
- ___ -DG Duresist Grate (Z Only)
- ___ -E 2 [51] High Static Extension
- ___ -G Galvanized Cast Iron
- ___ -SC Secondary Clamp Collar
- ___ -TS Top Secured with Slotted Screws
- ___ -VP Vandal-Proof Secured Top
- ___ -XJ Vertical Expansion Joint (See Z190)
- ___ -Y Sediment Bucket
- ___ -85 Stainless Steel Perforated Extension
- ___ -90 90° Threaded Side Outlet Body
(2 thru 4 [51 thru 102])

REV. C	DATE: 4/10/08	C.N. NO. 98353
DWG. NO. 67017	PRODUCT NO. Z158-DP	

*REGULARLY FURNISHED UNLESS OTHERWISE SPECIFIED