

DISTRIBUTED BY

Best MATERIALS.com



Active Ventilation Products Inc



KV-03 Keepa Vent

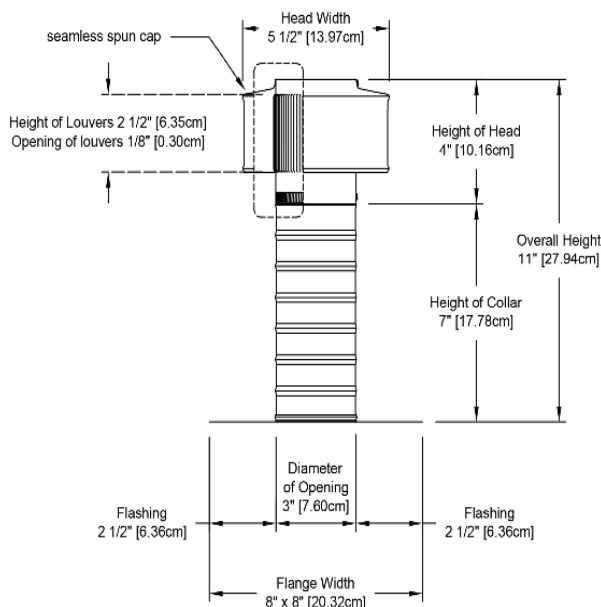
A Spun Aluminum Gravity Ventilator

For more information
Or to buy this product
[Click here](#)



- For Flat Roof Attic Ventilation
- Removes excess heat in the summer and moisture in the winter
- Corrosion Resistant, Rust Free, Heavy Gauge Aluminum Vent that has a durable beaded edge
- Resistant to strong wind & prevents rain or deep snow entering
- Removable vent cap allows for an easy rubber boot installation for membrane roofs
- Inner vertical louvers keep out insects & animals
- Can be used to vent a bathroom and kitchen fans
- Used as Air intake or Exhaust (two-way roof vent)
- 5 year warranty

DIMENSIONS & SPECIFICATIONS OF THE KV-03



Pitch Capacity	
Min.	Max.
0/12	12/12
Net Free Vent Area	
(sq. inches)	(sq. feet)
7	.05
Application per Sq. Foot	
(1/150)	(1/300)
15	30
Weight	
0.64 lbs	