

Installation Instructions for KV-10**For EPDM Membrane Roof or Hot Tar Roof****Step 1:**

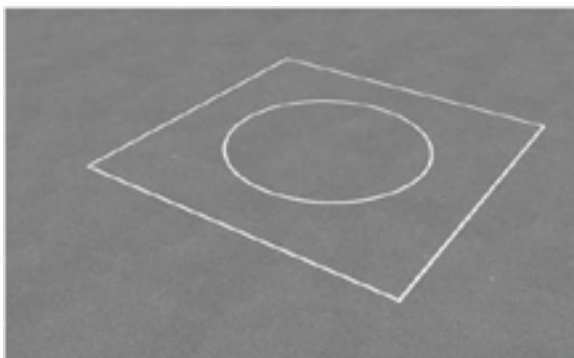
Turn the vent upside down and make a cardboard template from the flange. The template should be the same size as the flange with the hole in the middle.

**Step 2:**

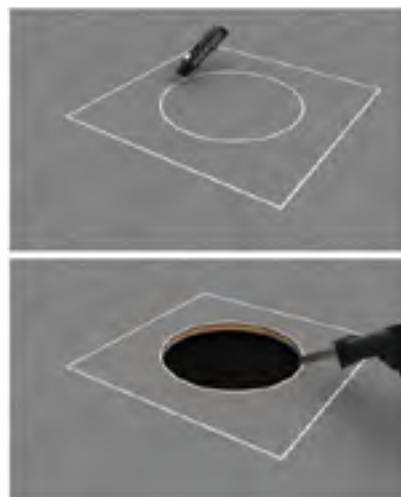
Using the template, trace the square and circle onto the roof as shown.

**Step 3:**

Remove cardboard template, The square and circle pattern shown.

**Step 4:**

With a razor blade, cut the circle traced out onto the membrane and remove. Then with a reciprocating saw, cut a hole in the roof deck and remove all debris.



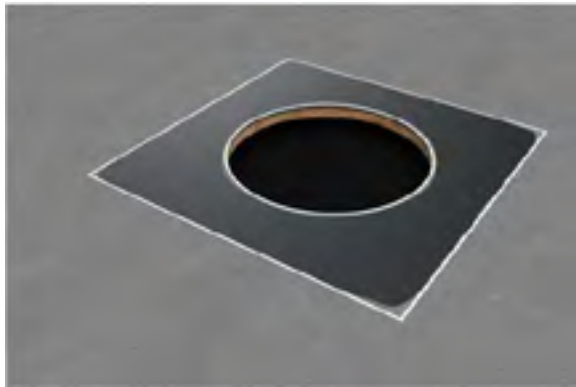
Installation Instructions for KV-10

Page 2 of 2

For EPDM Membrane Roof or Hot Tar Roof

Step 5:

Apply sealant within the square flange outline.



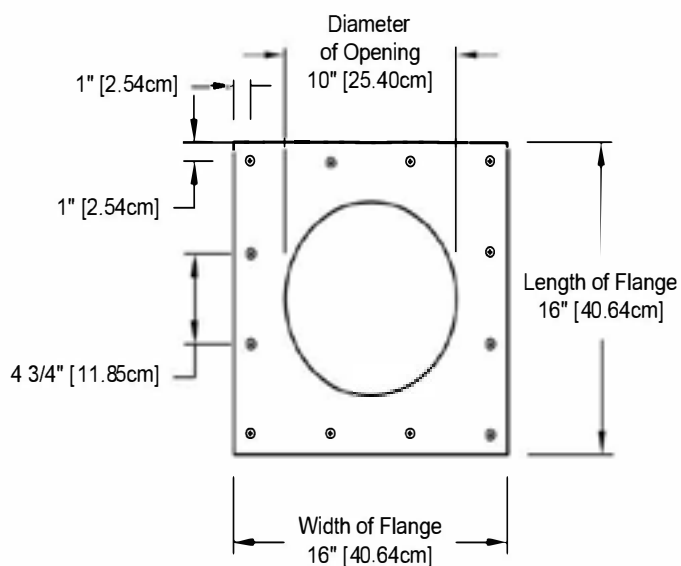
Step 6:

Place vent within the square outline & attach using a screw gun or drill.



Step 7:

Required screw: #10 x 1.5" steel sheet metal screw
Total number of screws required = 12 (tolerance : 1/2")



Step 8:

Apply roofing cement over the screws and edge of flange. This is how the keepa vent should look when finished.

