

**SPECIFICATIONS:**

- ① **COVER:** 11 GA ALUM COVER STIFFENED TO WITHSTAND A LIVE LOAD OF 40PSF WITH A MAX DEFLECTION OF 1/150 OF THE SPAN
- ② **LINER:** 18 GA ALUM
- ③ **CURB AND COUNTERFLASH W/ EZ TAB:**  
11 GA ALUM
- 4 **FINISH:** MILL FINISH
- ⑤ **SPRING/HINGE ASSEMBLY:** ZINC PLATED STEEL TAMPER-PROOF HINGE CONTAINED WITHIN SPRING/HINGE ASSEMBLY. TELESCOPIC TUBES CONTAIN COIL STEEL COMPRESSION SPRINGS FOR LIFT ASSISTANCE
- ⑥ **HOLD OPEN ARM:** LOCKS COVER IN FULLY OPEN POSITION - ZINC PLATED STEEL WITH RED VINYL GRIP HANDLE PULL RELEASE
- ⑦ **LATCH:** SINGLE POINT LATCH SLAM LATCH HOLDS COVER CLOSED AGAINST 20 PSF WIND UPLIFT. INTERNAL AND EXTERNAL TURN HANDLES WITH PADLOCK HASPS

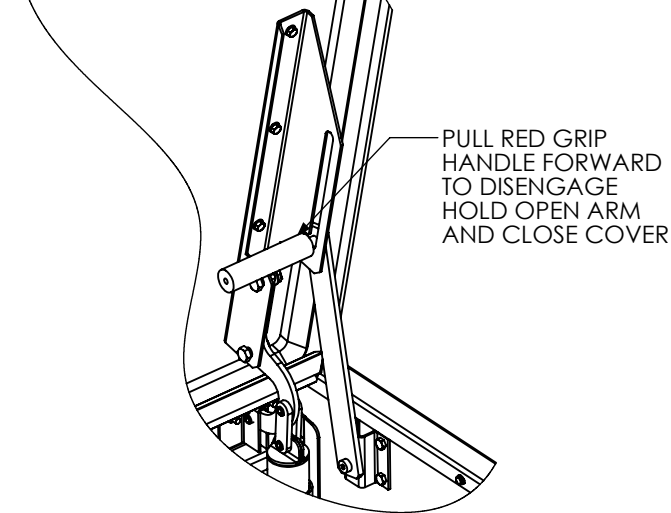
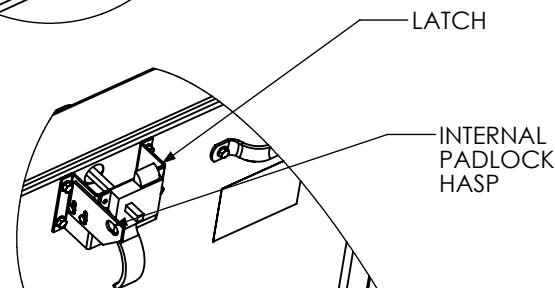
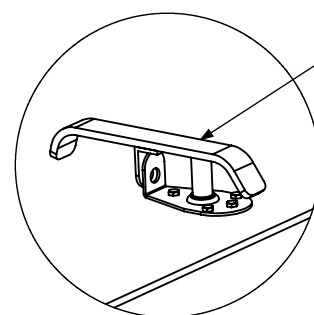
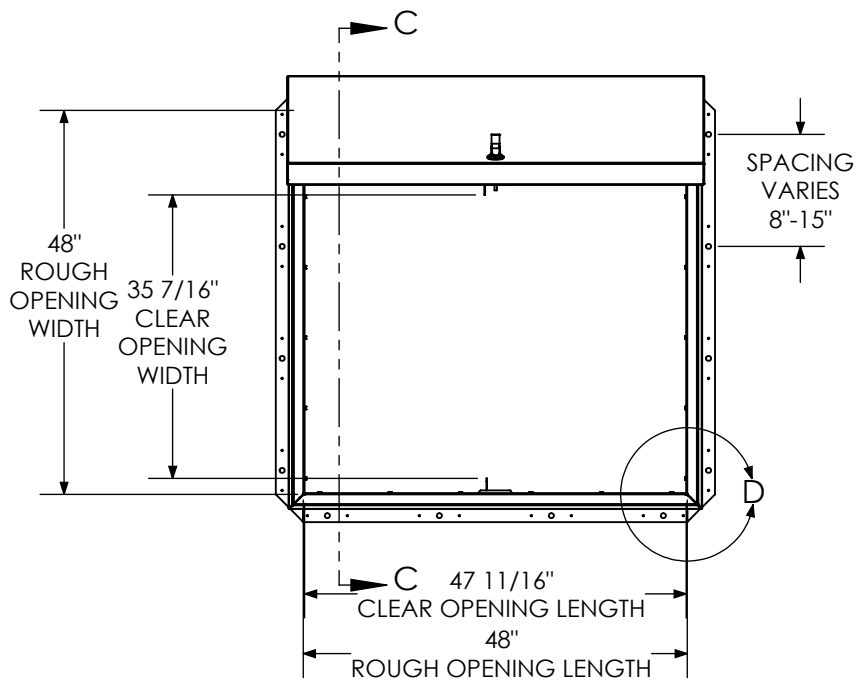
- ⑧ **INSULATION:**  
1" POLYSTYRENE (R4) IN COVER, AND 1" FIBERBOARD (R2.8) IN CURB
- ⑨ **GASKET:** ADHESIVE BACKED EPDM RUBBER EXTRUSION
- ⑩ **SIZING:** WIDTH X LENGTH DIMENSIONS ARE MEASURED INSIDE CURB TO INSIDE CURB WHERE THE WIDTH IS HINGE TO LATCH AND LENGTH IS HINGED SIDE WITH SPRINGS

**ROOF HATCH SIZE** 48" (WIDTH) x 48" (LENGTH)  
**CLEAR OPENING** 35.4" (WIDTH) x 46" (LENGTH)  
**ROUGH OPENING** 48" (WIDTH) x 48" (LENGTH)

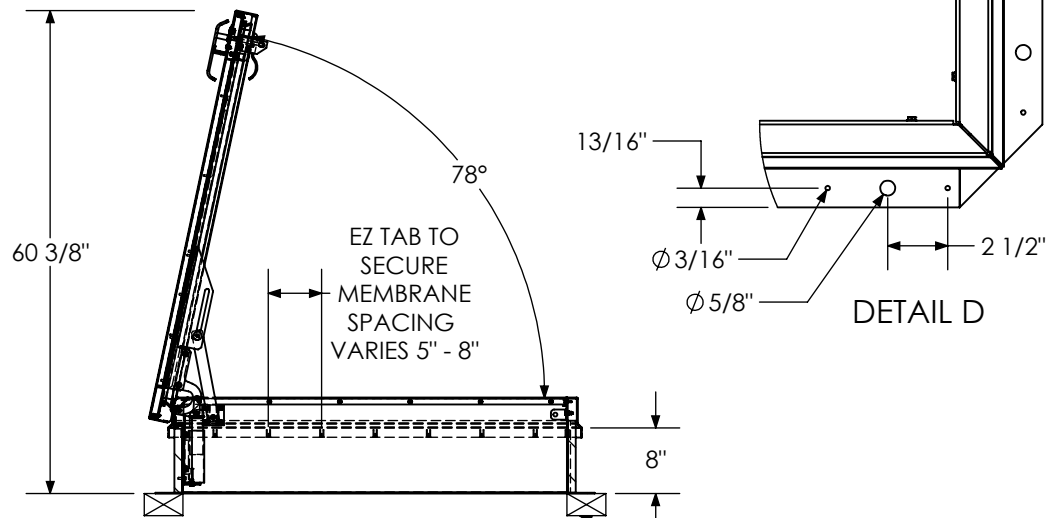
Distributed by: **BEST MATERIALS®**  
 Ph: 800-474-7570, 602-272-8128  
[www.BestMaterials.com](http://www.BestMaterials.com)  
 Email: [Sales@BestMaterials.com](mailto:Sales@BestMaterials.com)

PROJECT:					
ARCHITECT:					
CONTRACTOR:					
QTY:					
PART#:		BRHPA48X48S1T			
 9300 73rd Avenue North Brooklyn Park, MN 55428		TITLE: Roof Hatch, Personnel Access, 48x48, Sngl Dr, Alum, Mill, Sngl Wall Curb,			
		NAME	DATE	SIZE	DWG. NO.
DRAWN	DWO	9/11/12	A	BRHPA48X48S1T	A
RELEASED	-	-	WEIGHT: 131.4		SHEET 1 OF 2

PROPRIETARY AND CONFIDENTIAL: THE INFORMATION CONTAINED IN THIS DRAWING IS THE SOLE PROPERTY OF BABCOCK-DAVIS. ANY REPRODUCTION IN PART OR AS A WHOLE WITHOUT THE WRITTEN PERMISSION OF BABCOCK-DAVIS IS PROHIBITED.



HARDWARE DETAILS



SECTION C-C

<p><b>Babcock-Davis</b> <i>Always right there.</i> 9300 73rd Avenue North Brooklyn Park, MN 55428</p>			TITLE: Roof Hatch, Personnel Access, 48x48, Sngl Dr, Alum, Mill, Sngl Wall Curb,		
NAME	DATE	SIZE	DWG. NO.	REV	
DRAWN DWO	9/11/12	A	BRHPA48X48S1T	A	
RELEASED	-	-	WEIGHT: 131.4	SHEET 2 OF 2	

PROPRIETARY AND CONFIDENTIAL: THE INFORMATION CONTAINED IN THIS DRAWING IS THE SOLE PROPERTY OF BABCOCK-DAVIS. ANY REPRODUCTION IN PART OR AS A WHOLE WITHOUT THE WRITTEN PERMISSION OF BABCOCK-DAVIS IS PROHIBITED.