

BRHPG Personnel Series Galvanized Roof Hatch

SINGLE COVER SPECIFICATIONS

- **COVER:** 14 GAUGE GALVANIZED STEEL
- COVER IS STIFFENED TO WITHSTAND A LIVE LOAD OF 40 PSF WITH A MAX DEFLECTION OF 1/150 OF THE SPAN. COVER WITHSTANDS A MAX. WIND UPLIFT OF 20 PSF. MAX DEGREE OF OPENING IS 78°
- **LINER:** 22 GAUGE GALVANIZED STEEL
- **CURB:** 14 GAUGE GALVANIZED STEEL
- **COUNTERFLASH:** 14 GAUGE GALVANIZED STEEL WITH EZ TAB FLASHING SYSTEM
- **HARDWARE:** ZINC PLATED STEEL
- **LATCH:** SLAM LATCH WITH POSITIVE RETURN TURN HANDLE PADLOCKING OUTSIDE & INSIDE
- **INSULATION:** 1" THICK INSULATION IN COVER AND 1" ON CURB PERIMETER
- **MOUNTING FLANGE:** 3.50"
- **HINGE:** ZINC PLATED STEEL TAMPER PROOF HINGE CONTAINED WITHIN HATCH AS PART OF SPRING ASSEMBLY
- **SPRING:** GREASED COMPRESSION SPRING ENCLOSED IN TELESCOPIC TUBES WHICH COUNTER BALANCE THE DOOR
- **FINISH:** POWDER COAT PAINT

OPTIONS

OSS - STAINLESS STEEL HARDWARE

CURB OPTIONS

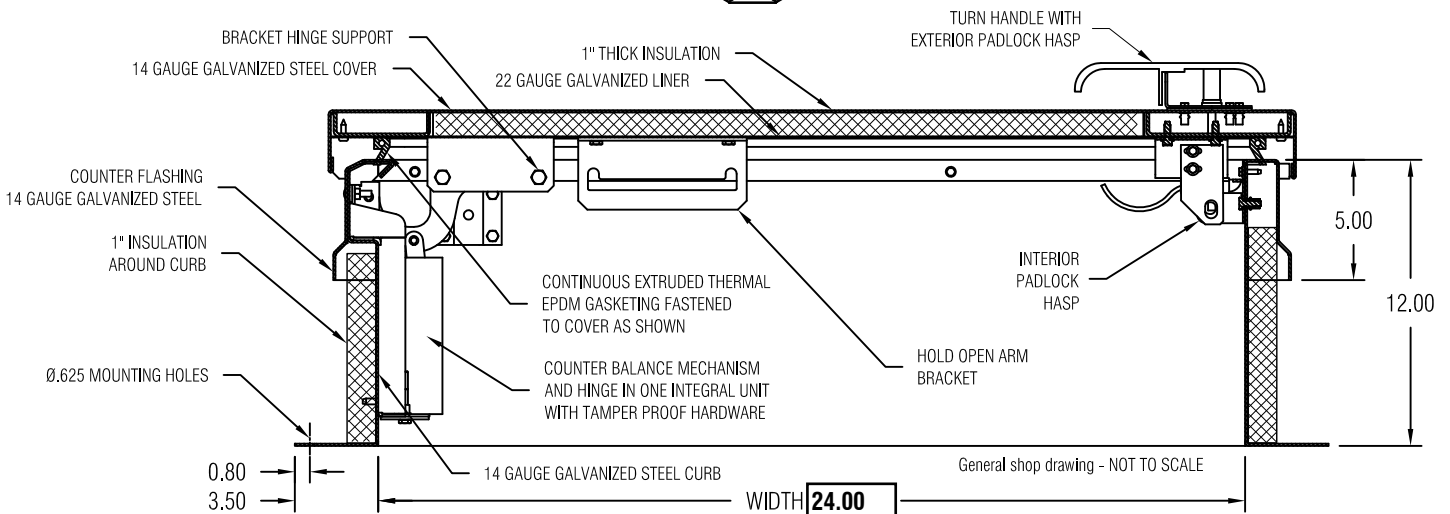
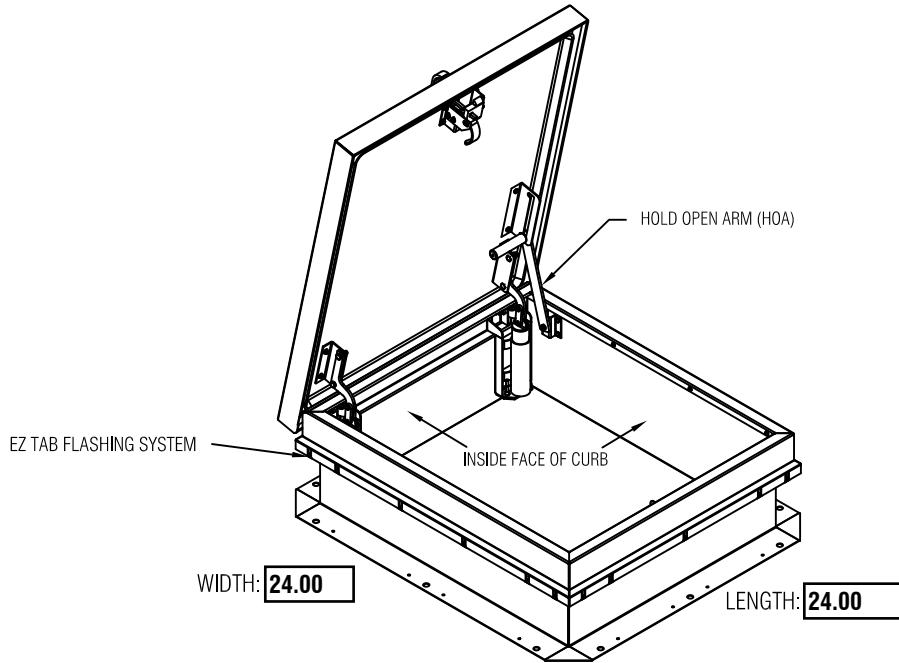
- 1 - SINGLE WALL CURB (AS SHOWN)
- 2 - DOUBLE WALL CURB
- 3 - CURB MOUNT FLANGE
- 4 - DOUBLE WALL NO COUNTERFLASH
- 5 - APRON MOUNT

THIS PRODUCT MAY BE INSTALLED ON EITHER A FLAT OR SLOPING ROOF, WHEN INSTALLED ON A SLOPE, THE HINGE SIDE MUST RUN PARALLEL WITH THE SLOPE, IF THE SLOPE EXCEEDS A 3:12 PITCH, ADVISE FACTORY FOR MODIFICATION.

SIZE

WIDTH: **24.00** LENGTH: **24.00**

*HINGE ON LENGTH SIDE
WIDTH AND LENGTH DIMENSIONS ARE FROM THE INSIDE FACES OF CURB



PROJECT:

CONTRACTOR:

ARCHITECT:

QTY: PART NUMBER:

Distributed by: **BEST MATERIALS LLC**
Ph: 800-474-7570, 602-272-8128 Fax: 602-272-8014
www.BestMaterials.com Email: Sales@BestMaterials.com