

EQUIPMENT

BRHE: SPECIFICATIONS

Material:

- Aluminum 11 gauge, mill finish
- Steel 14 gauge galvanized, red oxide powder coat
- Stainless steel Type 304 14 gauge, 2B finish

Cover: Formed metal cover with liner, stiffened to withstand a live load of 40psf. Fully opens 85-90° for maximum clear unobstructed opening

Curb: Single wall curb with EZ tab counterflash and mounting flange with 5/8" and 3/16" holes

Insulation: 1" polystyrene in cover, 1" fiberboard R-2 around curb

Gasket: Extruded EPDM adhesive backed gasket seal continuous around cover

Spring / Hinge Assembly: Zinc plated steel tamper-proof hinges contained within spring assembly, includes steel compression springs

Hold open arm: Zinc plated steel automatic hold open arm locks cover in open position

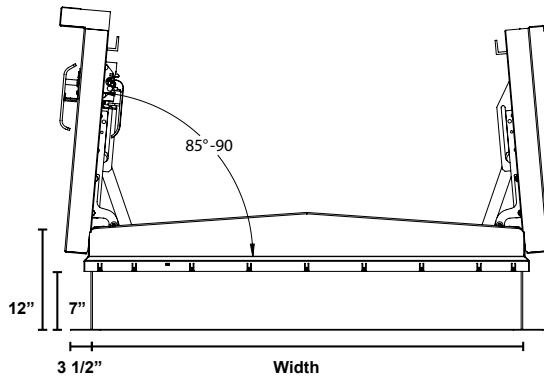
Latch: Zinc plated steel latch with exterior and interior turn handles and padlock hasps.

Sizes: Industry standard and custom sizes available



Equipment Installation Application

BRHE



BRHEA60X60D1T

BRHE

MATERIAL	
A	ALUM CURB & COVER
B	GALVANNEALED CURB, ALUM COVER
G	GALVANNEALED CURB & COVER
S	STAINLESS STEEL 304 CURB & COVER

SIZE (WIDTH & LENGTH)	
48" x 48"	96" x 96"
60" x 60"	120" x 120"
72" x 72"	144" x 144"
72" x 96"	

DOOR	
S	SINGLE
D	DOUBLE

CURB	
1	SINGLE WALL
2	DOUBLE WALL
3	CURB MOUNT
4	DOUBLE WALL, NO COUNTERFLASH

OPTIONS	
IPP	1" POLYISO INSULATION
IRR	2" POLYISO INSULATION
OSS	STAINLESS STEEL HARDWARE