

8

7

6

5

4

3

2

1

D

C

B

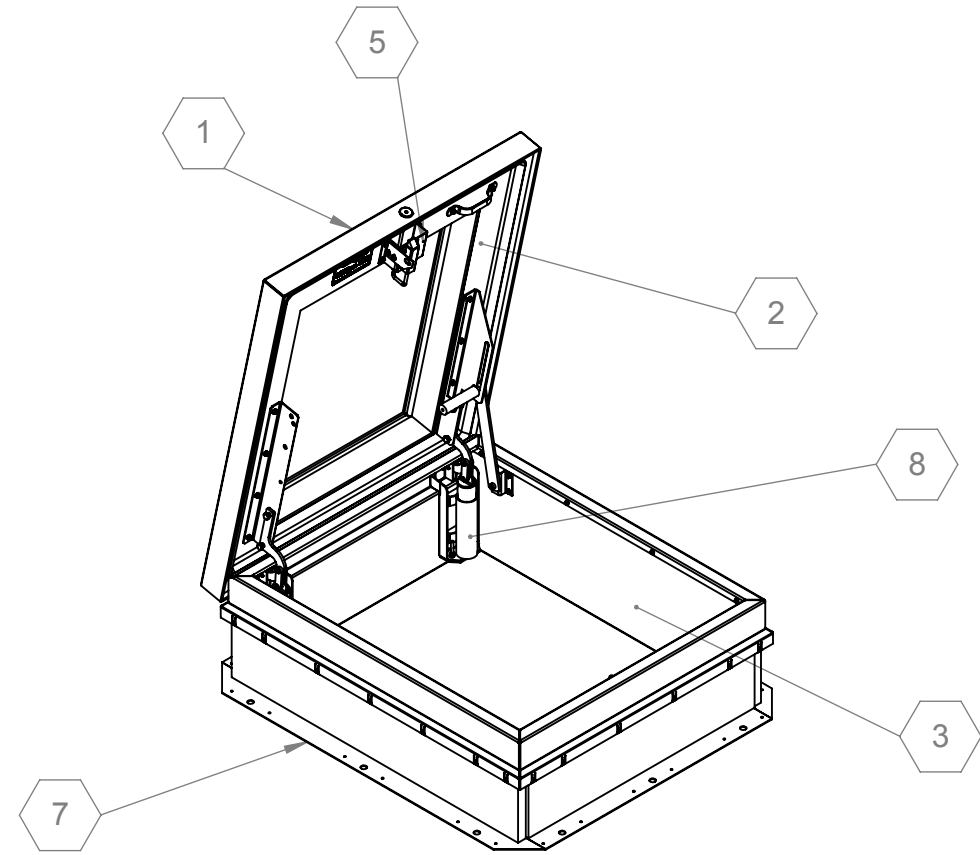
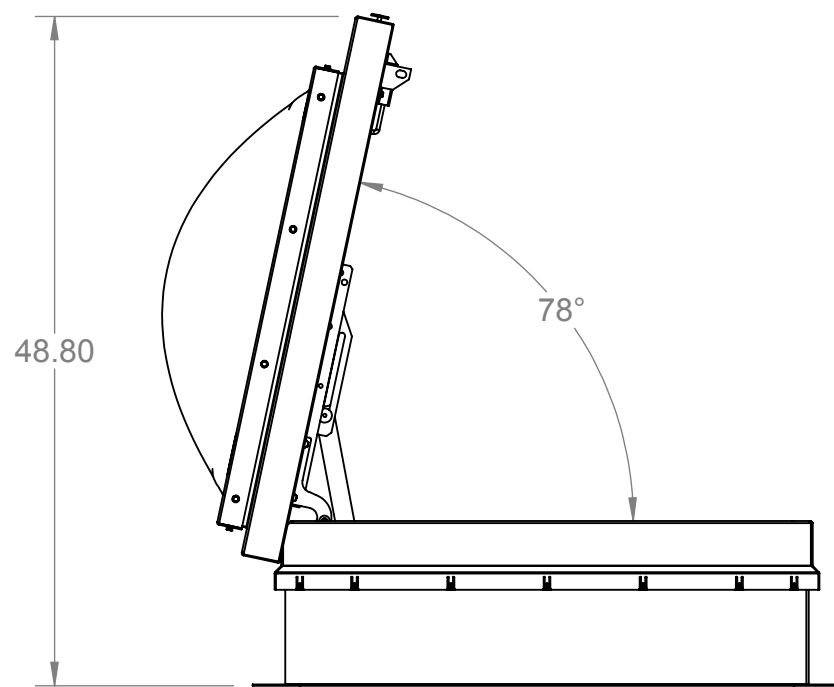
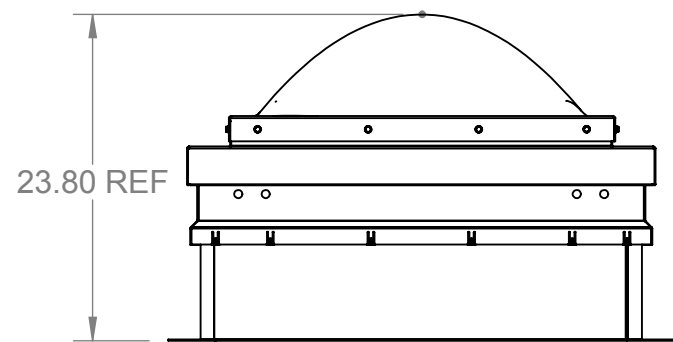
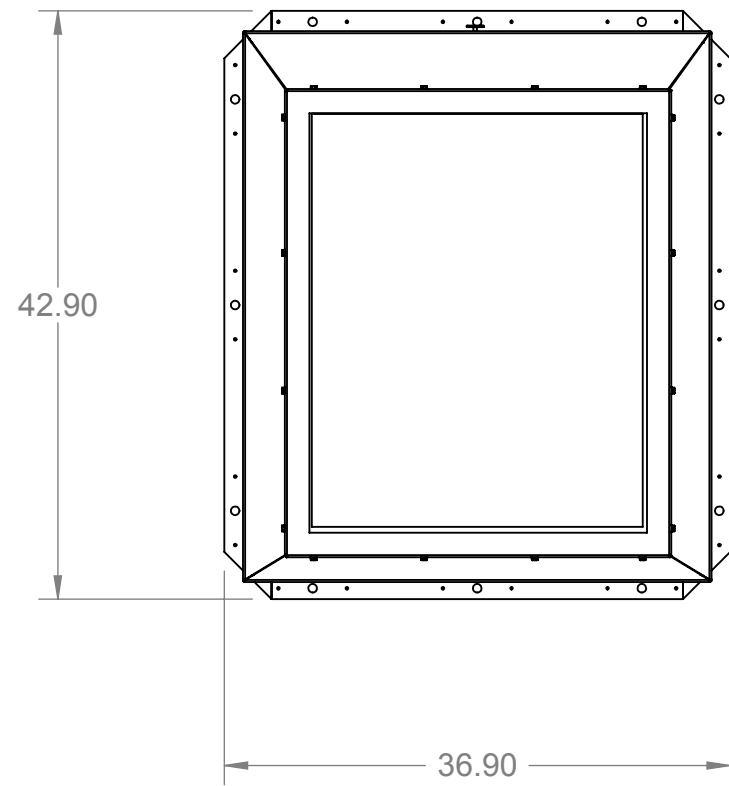
A

D

C

B

A



- ① COVER - 11 GAUGE ALUMINUM COVER. COVER WITHSTANDS A MAX WIND UPLIFT OF 20 PSF.
- ② LINER - 18 GAUGE ALUMINUM
- ③ CURB - 11 GAUGE ALUMINUM
- ④ HARDWARE - ZINC PLATED STEEL
- ⑤ LATCH - SINGLE POINT PALM LATCH

- ⑥ INSULATION - 1" THICK IN COVER AND 1" THICK ON CURB PERIMETER
- ⑦ MOUNTING FLANGE - 3.50 INCHES
- ⑧ HINGE - ZINC PLATED STEEL TAMPER PROOF HINGE CONTAINED WITHIN HATCH AS PART OF SPRING ASSEMBLY
- ⑨ SPRING - GREASED HEAVY DUTY COMPRESSION SPRING.
- ⑩ FINISH - MILL FINISH
- ⑪ CURB OPENING - 36 X 30 INCHES MEASURE INSIDE CURB TO INSIDE CURB

### BRHLA36X30S1P



TITLE:		Roof Hatch, SunLit Series, 36x30, Sngl Dr, Alum, Mill, Sngl Wall Curb,	
SIZE	DWG. NO.	REV	
B	BRHLA36X30S1P	A	
WEIGHT: 117.28		SHEET 24 OF 25	

PROPRIETARY AND CONFIDENTIAL: THE INFORMATION CONTAINED IN THIS DRAWING IS THE SOLE PROPERTY OF BABCOCK-DAVIS. ANY REPRODUCTION IN PART OR AS A WHOLE WITHOUT THE WRITTEN PERMISSION OF BABCOCK-DAVIS IS PROHIBITED.

8

7

6

5

4

3

2

1

8

7

6

5

4

3

2

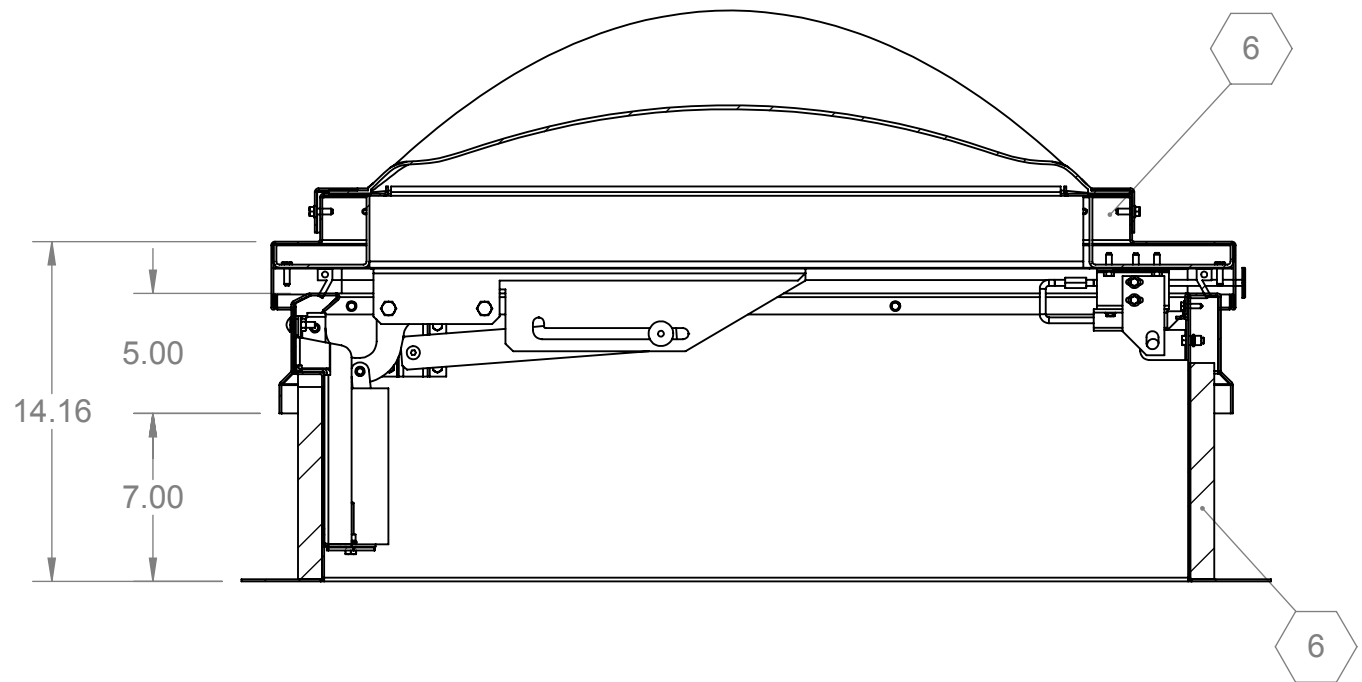
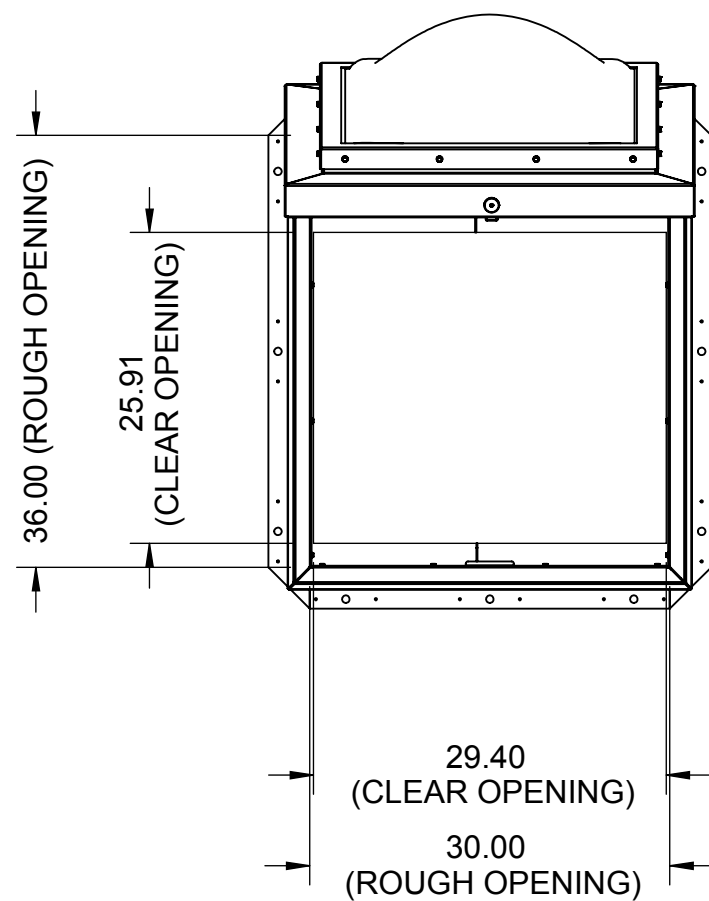
1

D

C

B

A



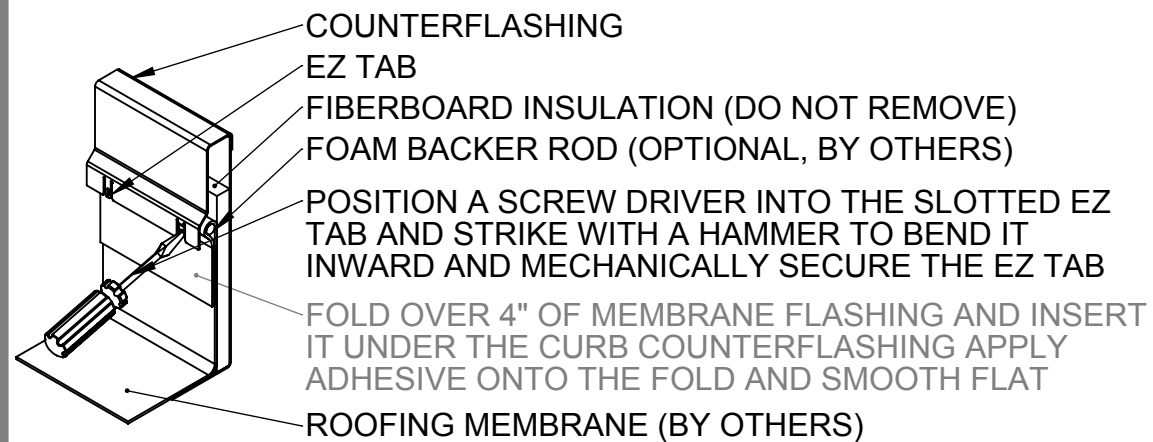
D

C

B

A

**EZ TAB**  
**QUICK FLASHING SYSTEM FOR MEMBRANE ROOFS**



**BRHLA36X30S1P**

**Babcock-Davis**  
*Always right there.*  
 9300 73rd Avenue North  
 Brooklyn Park, MN 55428

TITLE: Roof Hatch, SunLit Series,  
 36x30, Sngl Dr,  
 Alum, Mill, Sngl Wall Curb,

	NAME	DATE	SIZE	DWG. NO.	REV
DRAWN	DWO	07/31/09	<b>B</b>	<b>BRHLA36X30S1P</b>	<b>A</b>
RELEASED	DWO	07/31/09	WEIGHT: 117.28	SHEET 25 OF 25	

PROPRIETARY AND CONFIDENTIAL: THE INFORMATION CONTAINED IN THIS DRAWING IS THE SOLE PROPERTY OF BABCOCK-DAVIS. ANY REPRODUCTION IN PART OR AS A WHOLE WITHOUT THE WRITTEN PERMISSION OF BABCOCK-DAVIS IS PROHIBITED.

8

7

6

5

4

3

2

1