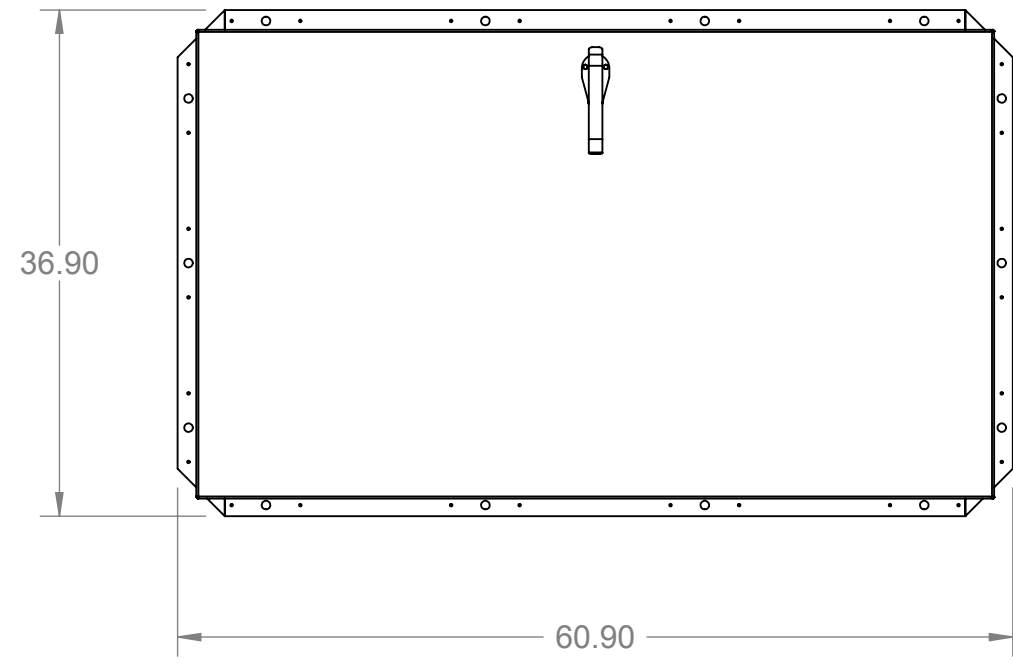


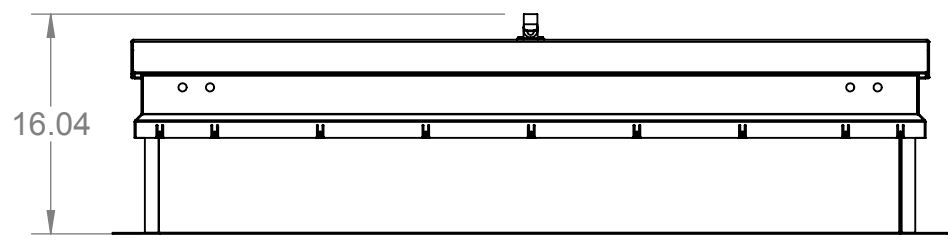
8 7 6 5 4 3 2 1

D

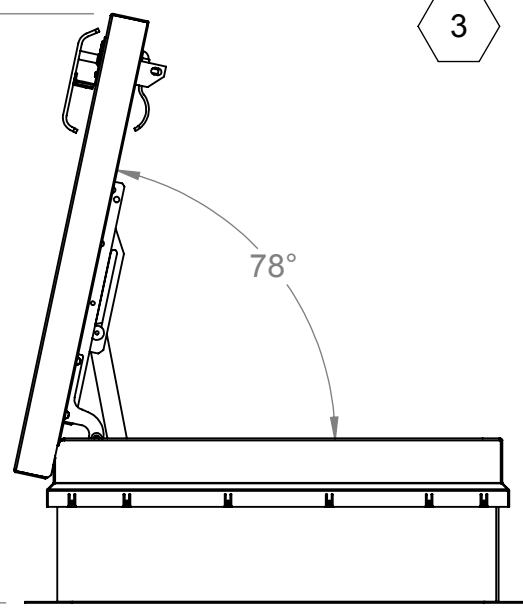


C

B



42.97

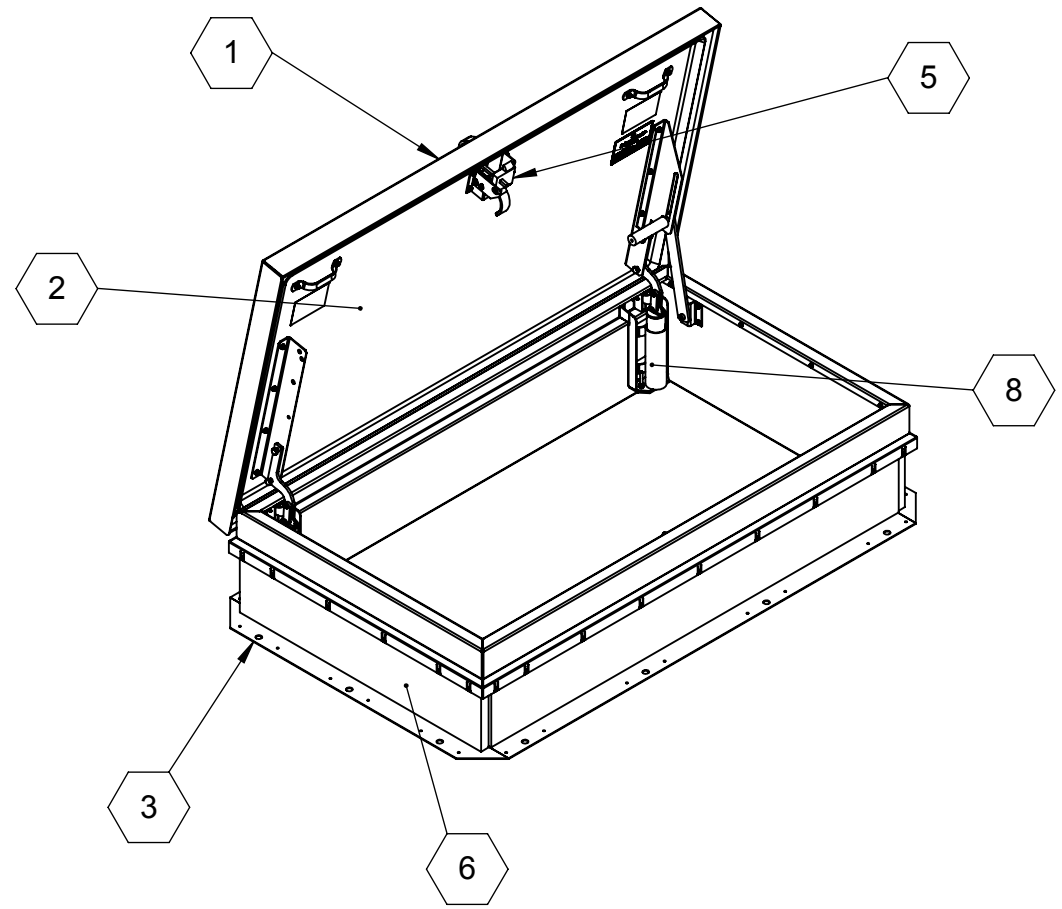


D

C

B

A



① COVER - 11 GAUGE ALUMINUM COVER STIFFENED TO WITHSTAND A LIVE LOAD OF 40 PSF WITH A MAX DEFLECTION OF 1/150 OF THE SPAN. COVER WITHSTANDS A MAX WIND UPLIFT OF 20 PSF.

② LINER - 18 GAUGE ALUMINUM

③ CURB - 11 GAUGE ALUMINUM

④ HARDWARE - ZINC PLATED STEEL

⑤ LATCH - 2 POINT LATCHING WITH PROVISION FOR PADLOCK SECURITY

⑥ INSULATION - 1" THICK IN COVER AND 1" THICK ON CURB PERIMETER

⑦ MOUNTING FLANGE - 3.50 INCHES

⑧ HINGE - ZINC PLATED STEEL TAMPER PROOF HINGE CONTAINED WITHIN HATCH AS PART OF SPRING ASSEMBLY

⑨ SPRING - GREASED HEAVY DUTY COMPRESSION SPRING.

⑩ FINISH - MILL FINISH

⑪ CURB OPENING - 30 X 54 INCHES MEASURE INSIDE CURB TO INSIDE CURB

BRHPA30X54S1T

Babcock-Davis
Always right there.
 9300 73rd Avenue North
 Brooklyn Park, MN 55428

TITLE: Roof Hatch, Personnel Access,
 30x54, Sngl Dr,
 Alum, Mill, Sngl Wall Curb,

	NAME	DATE	SIZE	DWG. NO.	REV
DRAWN	DWO	6/25/09	B	BRHPA30X54S1T	A
RELEASED	DWO	6/25/09			
			WEIGHT: 142.66	SHEET 20 OF 21	

PROPRIETARY AND CONFIDENTIAL: THE INFORMATION CONTAINED IN THIS DRAWING IS THE SOLE PROPERTY OF BABCOCK-DAVIS. ANY REPRODUCTION IN PART OR AS A WHOLE WITHOUT THE WRITTEN PERMISSION OF BABCOCK-DAVIS IS PROHIBITED.

8 7 6 5 4 3 2 1

8

7

6

5

4

3

2

1

D

D

C

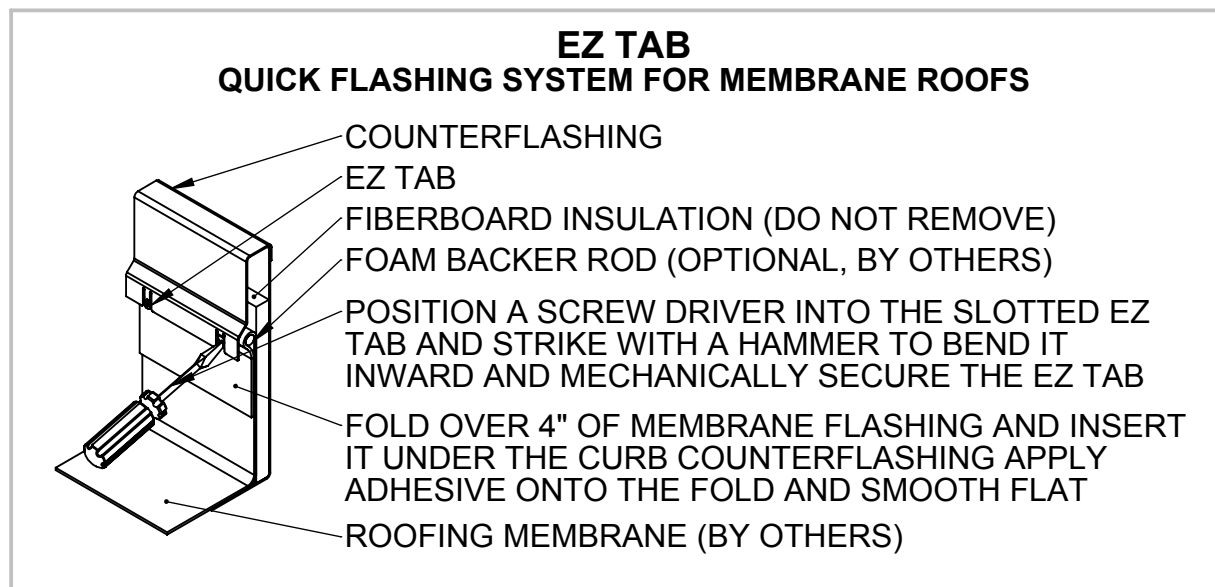
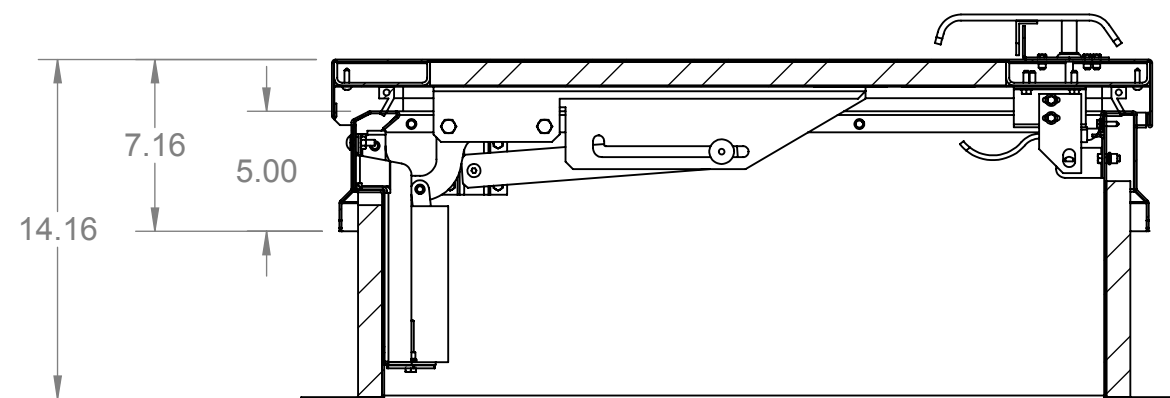
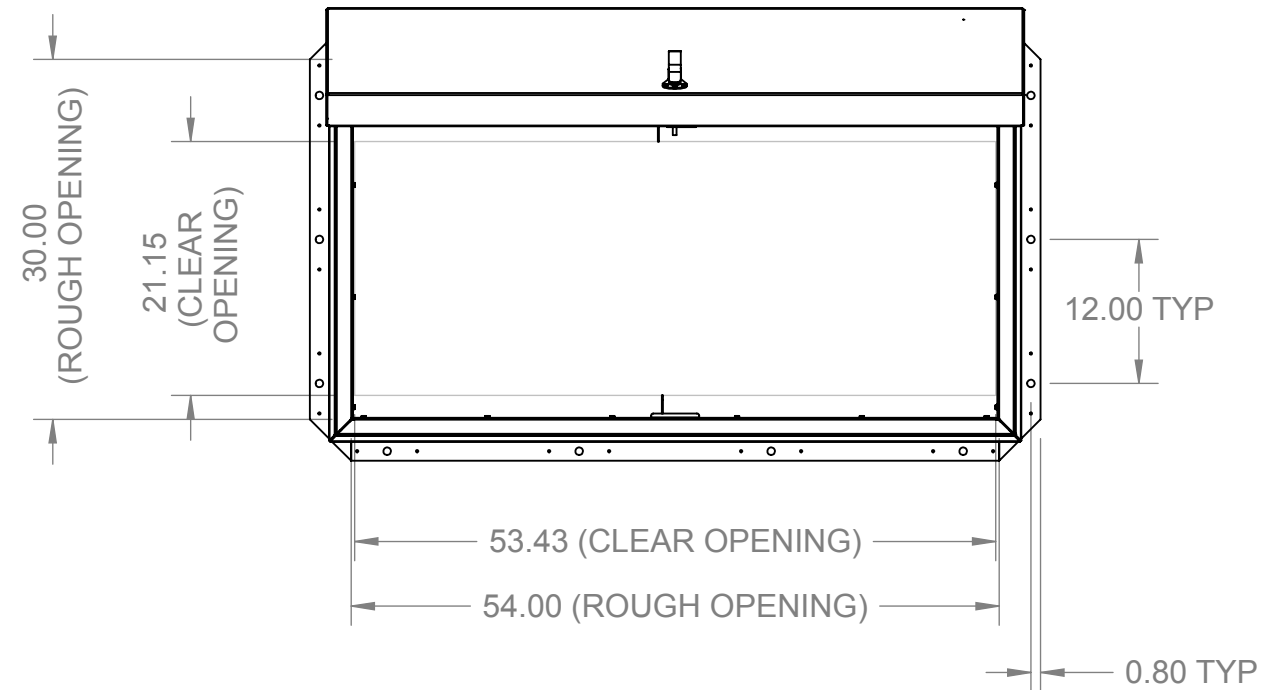
C

B

B

A

A



BRHPA30X54S1T

Babcock-Davis
Always right there.
9300 73rd Avenue North
Brooklyn Park, MN 55428

TITLE: Roof Hatch, Personnel Access,
30x54, Sngl Dr,
Alum, Mill, Sngl Wall Curb,

	NAME	DATE	SIZE	DWG. NO.	REV
DRAWN	DWO	6/25/09	B	BRHPA30X54S1T	A
RELEASED	DWO	6/25/09	WEIGHT: 142.66		SHEET 21 OF 21

8

7

6

5

4

3

2

1