

8

7

6

5

4

3

2

1

D

D

C

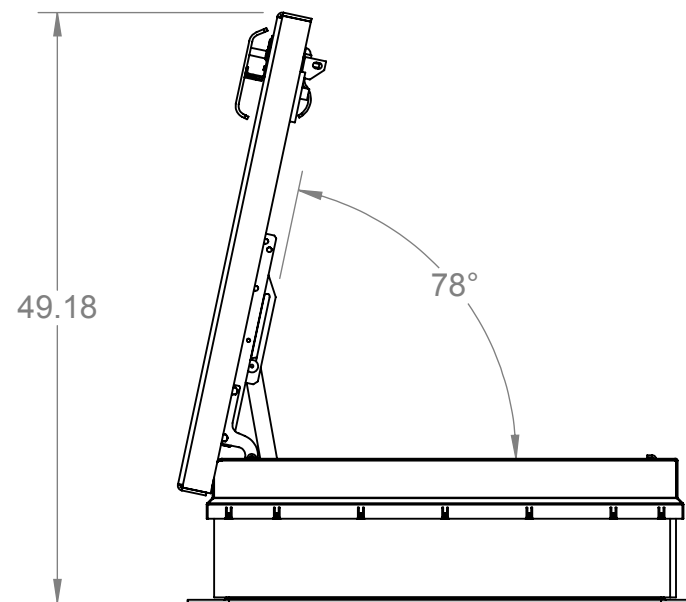
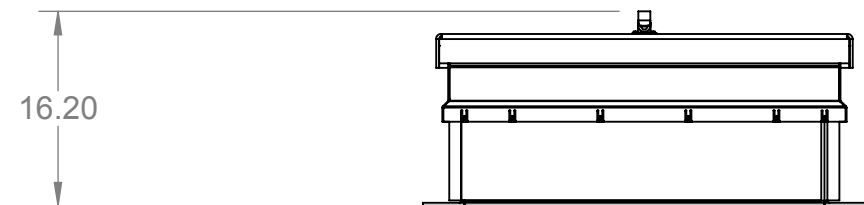
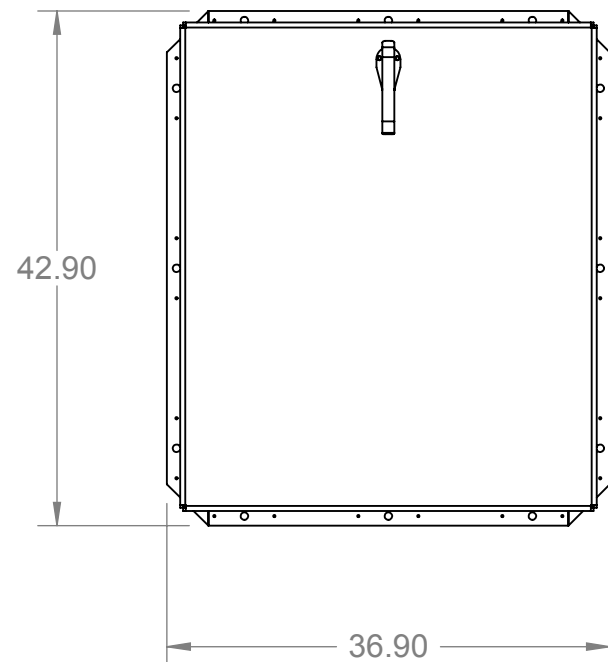
C

B

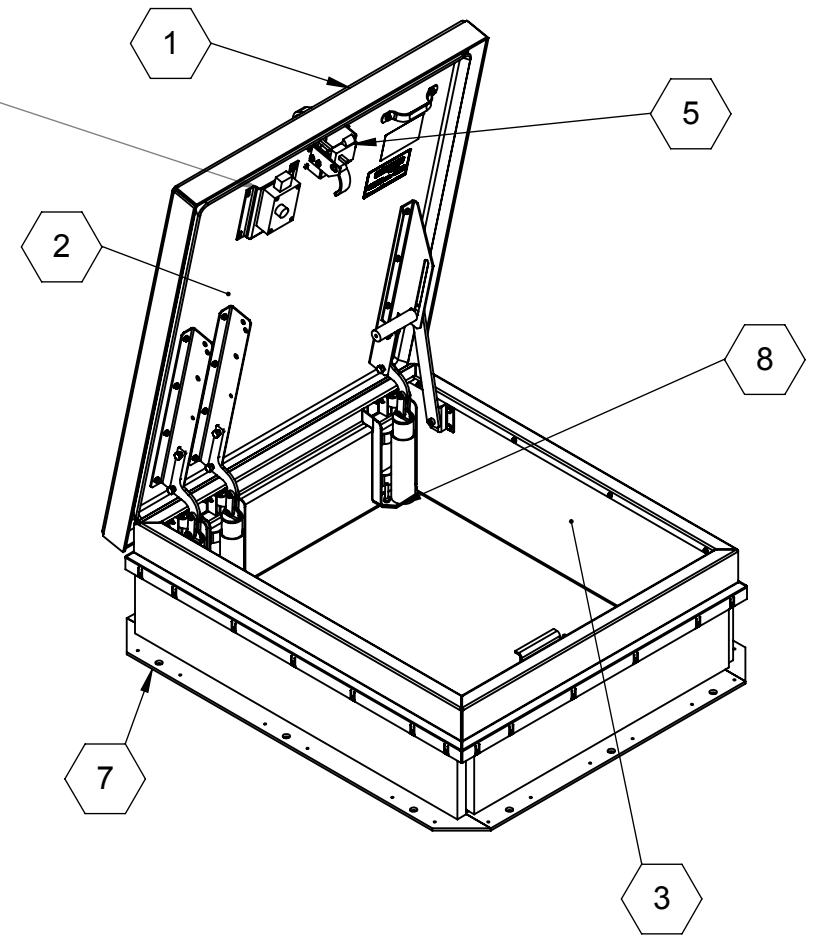
B

A

A



BRINKS MODEL 7012  
DETENTION LOCK,  
INSTALLED, INTERIOR



- ① COVER - 1/4" THK ALUMINUM COVER STIFFENED TO WITHSTAND A LIVE LOAD OF 40 PSF WITH A MAX DEFLECTION OF 1/150 OF THE SPAN. COVER WITHSTANDS A MAX WIND UPLIFT OF 20 PSF.
- ② LINER - 18 GAUGE ALUMINUM
- ③ CURB - 1/4" THK ALUMINUM WITH 11 GAUGE ALUMINUM COUNTERFLASH FULLY WELDED AT CORNERS.
- 4. HARDWARE - ZINC PLATED STEEL
- ⑤ LATCH - SINGLE POINT LATCH WITH PROVISION FOR PADLOCK SECURITY

- ⑥ INSULATION - 1" THICK IN COVER AND 1" THICK ON CURB PERIMETER
- ⑦ MOUNTING FLANGE - 3.45 INCHES
- ⑧ HINGE - ZINC PLATED STEEL TAMPER PROOF HINGE CONTAINED WITHIN HATCH AS PART OF SPRING ASSEMBLY
- 9. SPRING - GREASED HEAVY DUTY COMPRESSION SPRING.
- 10. FINISH - MILL FINISH
- 11. CURB OPENING - 36 X 30 INCHES MEASURE INSIDE CURB TO INSIDE CURB

### BRHSA36X30S1T-D12

**Babcock-Davis**  
*Always right there.*  
9300 73rd Avenue North  
Brooklyn Park, MN 55428

TITLE: Roof Hatch, Security Series,  
36x30, Sngl Dr,  
Alum, Mill, Sngl Wall Curb,

	NAME	DATE	SIZE	DWG. NO.	REV
DRAWN	DWO	11/17/10	B	BRHSA36X30S1T-D12	A
RELEASED	DWO	11/17/10			
			WEIGHT: 126.43	SHEET 20 OF 21	

PROPRIETARY AND CONFIDENTIAL: THE INFORMATION CONTAINED IN THIS DRAWING IS THE SOLE PROPERTY OF BABCOCK-DAVIS. ANY REPRODUCTION IN PART OR AS A WHOLE WITHOUT THE WRITTEN PERMISSION OF BABCOCK-DAVIS IS PROHIBITED.

8

7

6

5

4

3

2

1

8

7

6

5

4

3

2

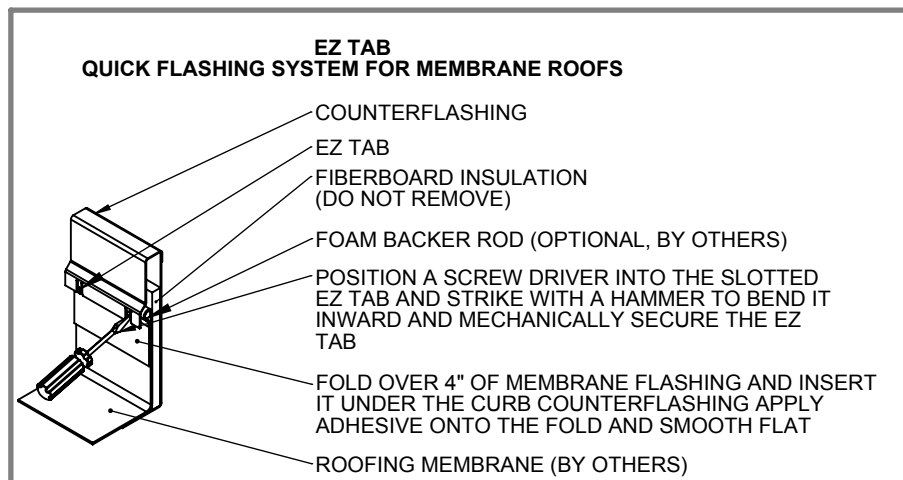
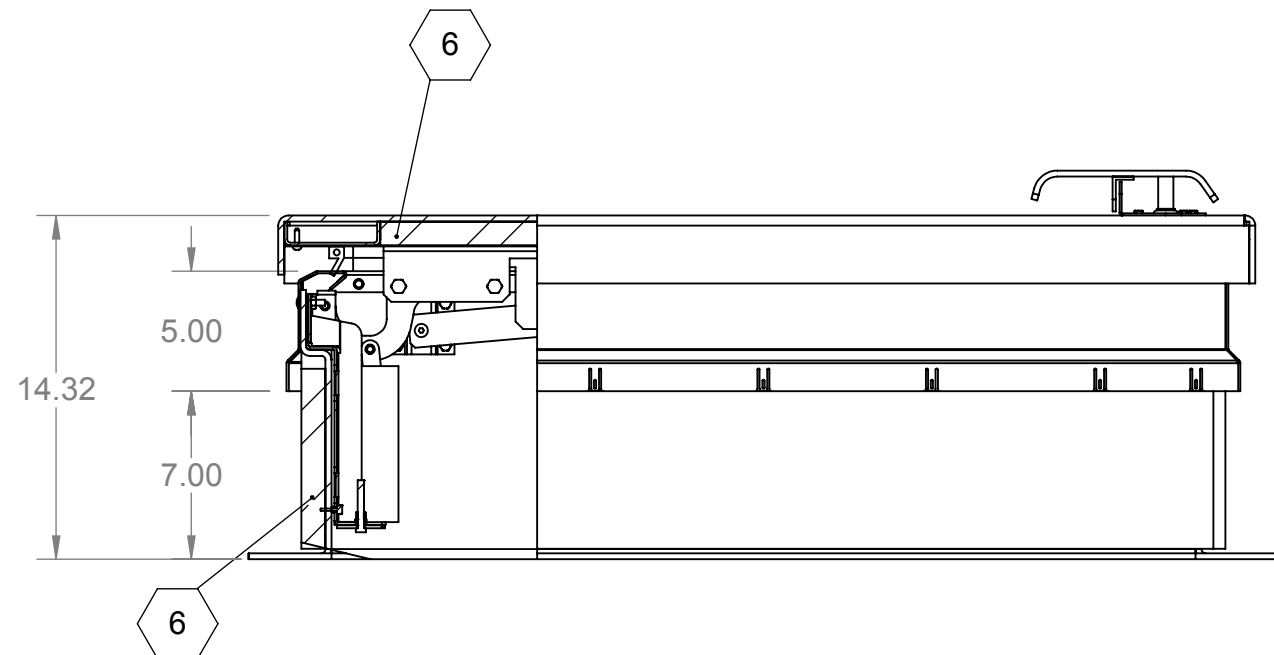
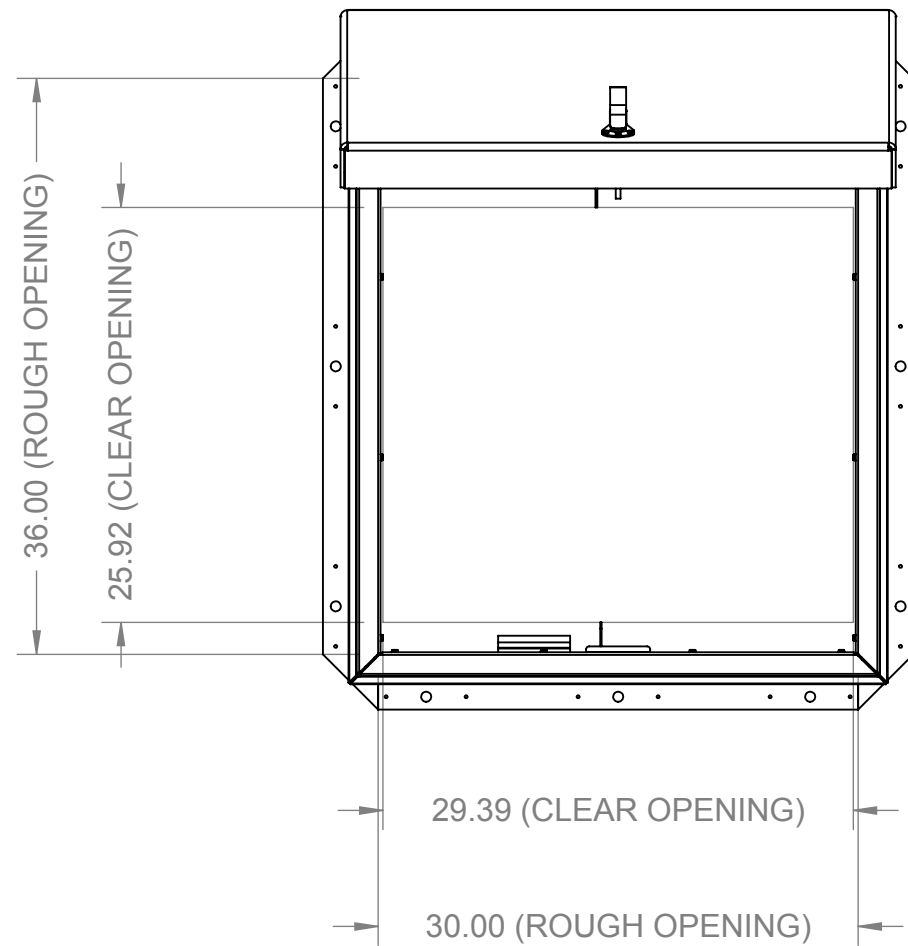
1

D

C

B

A



PROPRIETARY AND CONFIDENTIAL: THE INFORMATION CONTAINED IN THIS DRAWING IS THE SOLE PROPERTY OF BABCOCK-DAVIS. ANY REPRODUCTION IN PART OR AS A WHOLE WITHOUT THE WRITTEN PERMISSION OF BABCOCK-DAVIS IS PROHIBITED.

**BRHSA36X30S1T-D12**



TITLE: Roof Hatch, Security Series,  
36x30, Sngl Dr,  
Alum, Mill, Sngl Wall Curb,

	NAME	DATE	SIZE	DWG. NO.	REV
DRAWN	DWO	11/17/10	<b>B</b>	<b>BRHSA36X30S1T-D12</b>	<b>A</b>
RELEASED	DWO	11/17/10			
			WEIGHT: 126.43	SHEET 21 OF 21	

8

7

6

5

4

3

2

1

D

C

B

A