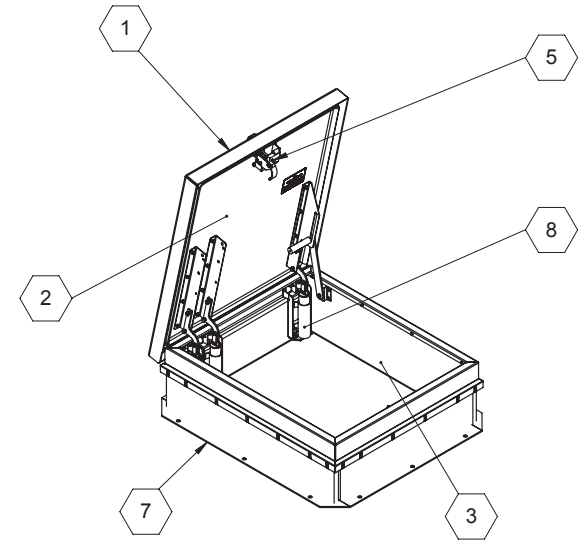
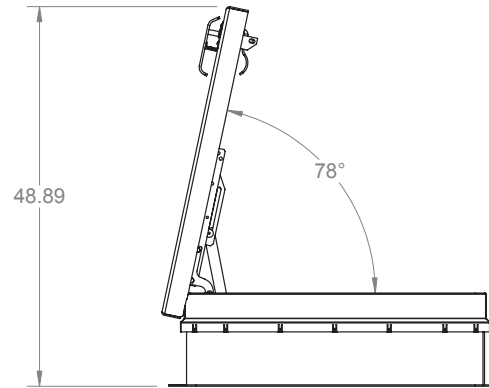
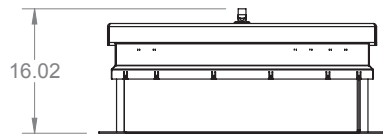
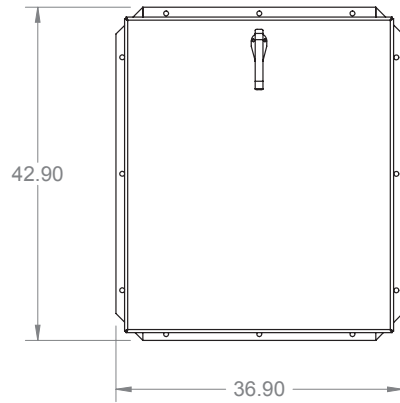


Distributed by: BEST MATERIALS LLC
 Ph: 1-800-474-7570, 1-602-272-8128 Fax: 1-602-272-8014
 Email: sales@bestmaterials.com www.bestmaterials.com



- ① COVER - 3/16 STEEL COVER STIFFENED TO WITHSTAND A LIVE LOAD OF 40 PSF WITH A MAX DEFLECTION OF 1/150 OF THE SPAN. COVER WITHSTANDS A MAX WIND UPLIFT OF 20 PSF.
- ② LINER - 22 GAUGE GALVANIZED STEEL
- ③ CURB - 3/16 STEEL (14 GAUGE GALVANIZED COUNTER FLASH
- ④ HARDWARE - ZINC PLATED STEEL
- ⑤ LATCH - SINGLE POINT LATCH WITH PROVISION FOR PADLOCK SECURITY

- ⑥ INSULATION - 1" THICK IN COVER AND 1" THICK ON CURB PERIMETER
- ⑦ MOUNTING FLANGE - 3.50 INCHES
- ⑧ HINGE - ZINC PLATED STEEL TAMPER PROOF HINGE CONTAINED WITHIN HATCH AS PART OF SPRING ASSEMBLY
- 9. SPRING - GREASED HEAVY DUTY COMPRESSION SPRING.
- 10. FINISH - RED OXIDE POWDER COAT
- 11. CURB OPENING - 36 X 30 INCHES MEASURE INSIDE CURB TO INSIDE CURB

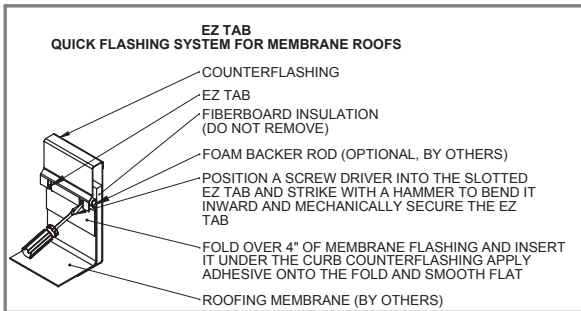
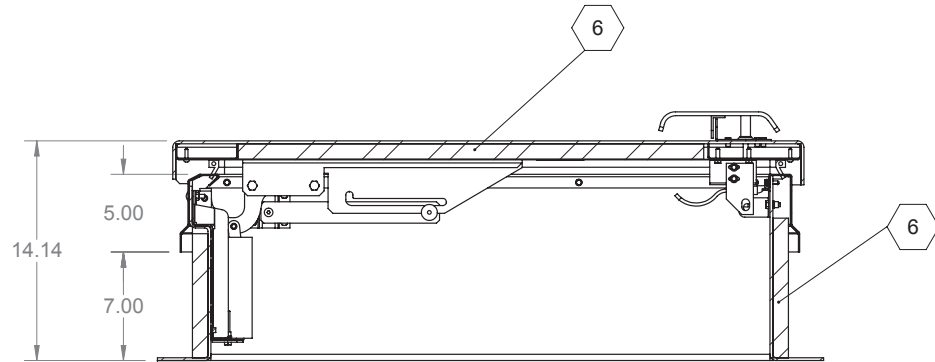
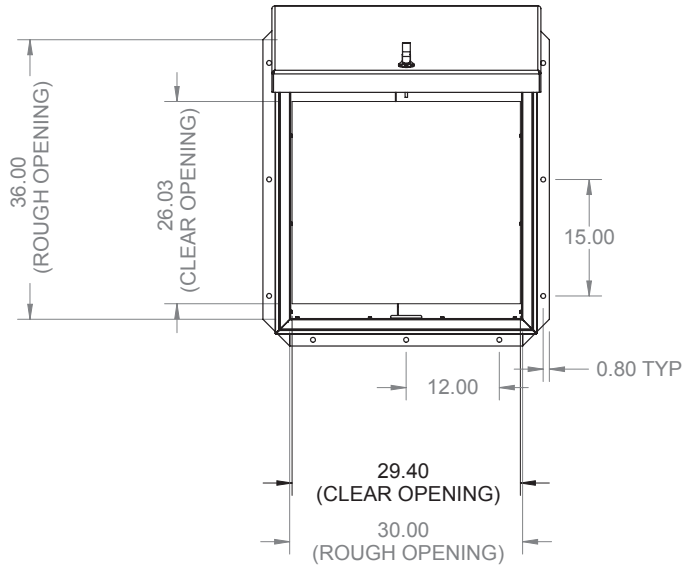
BRHSG36X30S1T

Babcock-Davis
Always right there.
 9300 73rd Avenue North
 Brooklyn Park, MN 55428

TITLE: Roof Hatch, Personnel Access,
 36X30, Sngl Dr,
 Galvn Steel, Red Oxide Pwd, Sngl Wall Curb,

NAME	DATE	SIZE	DWG. NO.	REV
DRAWN	DWO	07/06/09	B	A
RELEASED	DWO	07/06/09		
			BRHSG36X30S1T	
			WEIGHT: 187.10	SHEET 21 OF 22

PROPRIETARY AND CONFIDENTIAL: THE INFORMATION CONTAINED IN THIS DRAWING IS THE SOLE PROPERTY OF BABCOCK-DAVIS. ANY REPRODUCTION IN PART OR AS A WHOLE WITHOUT THE WRITTEN PERMISSION OF BABCOCK-DAVIS IS PROHIBITED.



PROPRIETARY AND CONFIDENTIAL: THE INFORMATION CONTAINED IN THIS DRAWING IS THE SOLE PROPERTY OF BABCOCK-DAVIS. ANY REPRODUCTION IN PART OR AS A WHOLE WITHOUT THE WRITTEN PERMISSION OF BABCOCK-DAVIS IS PROHIBITED.

BRHSG36X30S1T



TITLE: Roof Hatch, Personnel Access,
 36X30, Sngl Dr,
 Galvn Steel, Red Oxide Pwd, Sngl Wall Curb,

NAME	DATE	SIZE	DWG. NO.	REV
DRAWN DWO	07/06/09	B	BRHSG36X30S1T	A
RELEASED DWO	07/06/09	WEIGHT: 187.10		SHEET 22 OF 22