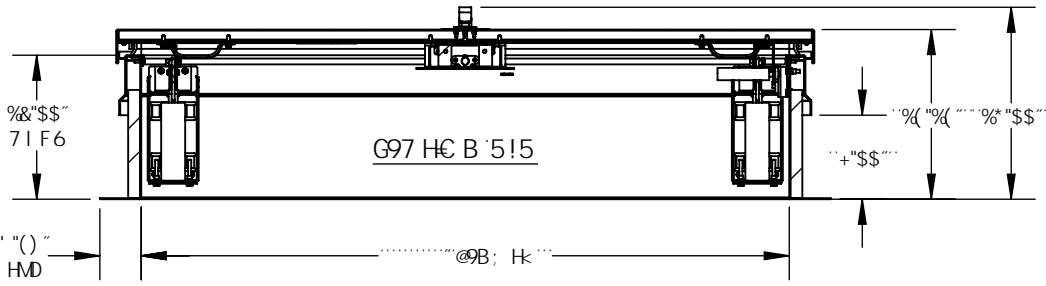
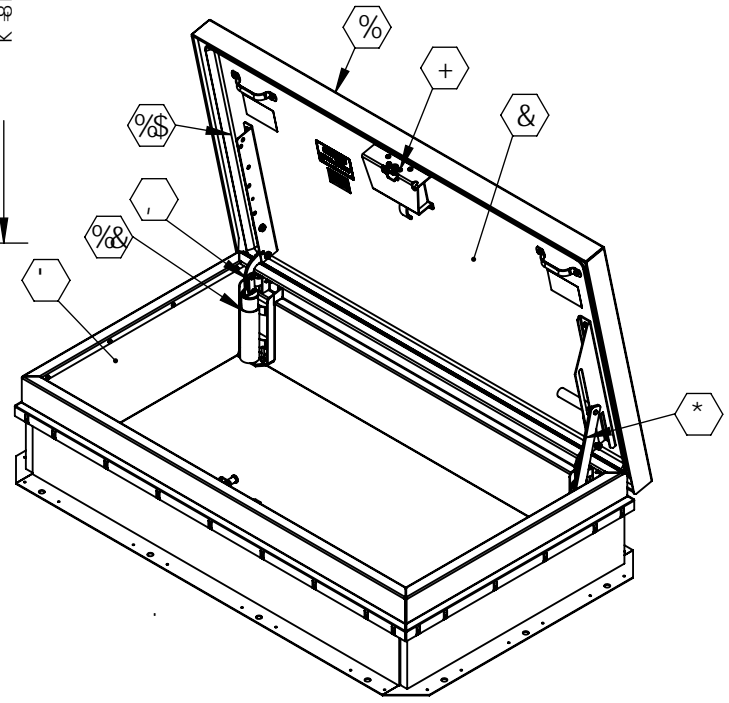
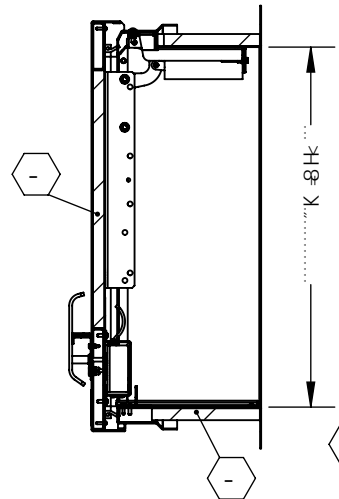


G97 HC B'6!6



G97 HC B'5!5

G97 = 75HCBG

Ⓜ 7CJ 9. %%; 51; 95@ A B!A 7CJ 9F G#; 9B98 HC
 K #K GH5B8 5 @ 9 @ 58 C: (\$ DG K #K 5 A 5L
 89 @ 97 HC B C: % # % \$ C: H 9 GD5B "

Ⓜ @B 9F. %; 51; 95@ A B!A

Ⓜ 71 F6 5B8 7C1 BH F: 6G: K # 9NH56.
 %%; 51; 95@ A B!A

Ⓜ -B-G: 7CJ 9F !A]
 71 F6! A]

Ⓜ <5F8K 5F9 NB7 D @ H98 GH99@

Ⓜ <C @ CD9B 5FA. @ 7? 7CJ 9F -B: I @ MC D9B
 DC GH C B ! NB7 D @ H98 GH99@

Ⓜ 6H7 <. GB; 9DC -B H NB7 D @ H98 FC H5 FM @ H7 <
 5 GG9A 6 @ M8 9G: B 98 HC < C @ 7CJ 9F 7 @ G98 5; 5-B CH
 Z# % \$ DG K B 8 I D @ H NB7 D @ H98 GH99 @ 6H7 <
 GH 9 F C B 7 1 F6 "

Ⓜ <B; 9G NB7 D @ H98 GH99 @ H5A D9F DFCC: K #K
 GH99 @ <B; 9DBG7 CBH5 B98 K #K <5H7 < 5GD5FHC:
 CDF-B; 5 GG9A 6 @ M

Ⓜ -B G @ HCB. %: 69F6C 5F8 71 F6 2% DC @ GH MF9B97CJ 9F

Ⓜ 5G 9H 58 < 9G 9 65 7 798 9D8A FI 669F 9LHF I GC B

Ⓜ A 5B1 5 @ CD9B-B; . 7CJ 9F C D9B GK #K -B HFB5 @ 5B8 "

Ⓜ 9LHF B5 @ A 5B1 5 @ FC H5 FM @ H7 < < 5B8 @ K #K -B HFB5 @
 5B8 9LHF B5 @ D58 @ 7? G97 I F # MDCF J @ 6B "

Ⓜ CDF-B; 5 GG9A 6 @ M; F95 G98 < 95 J M81 HMG 99 @ 7 CA DF 9GG C B

FCC: <5H7 < GA9:FK #H K E IFK @ B; H K E

FCL: <CD9B-B;FK #H K E IFK @ B; H K E

HGH7 9F H = 75HCBG

H5G&\$%A D57 HH9GH
 H5G&\$&1 B = CFA GH5H7 5F DF9GG F9 - % \$ DG
 H5G&\$ 7 M @ K B 8 DF9GG F9 @ 58

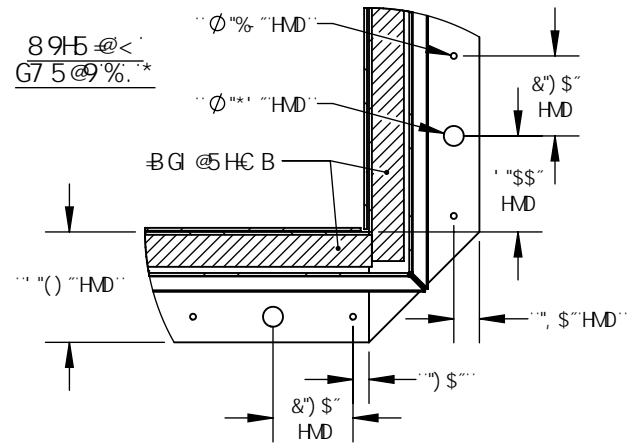
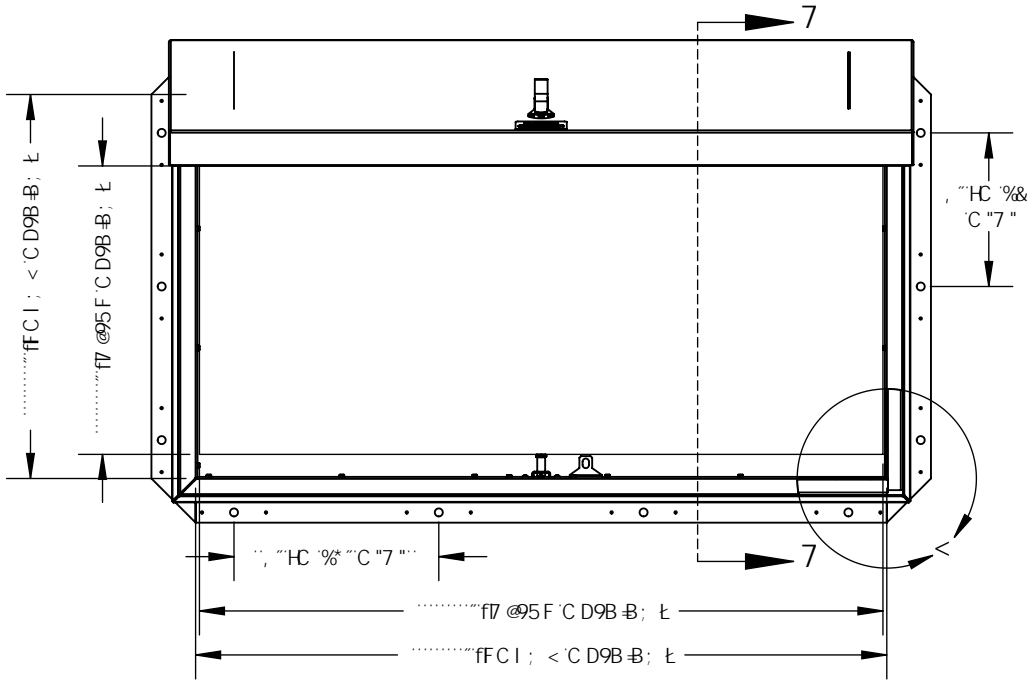
H 98 9G: B 7 CBH5 B98 < 9F9B - 689G: B98 5B8 HGH98 -B
 577CF85B79K #K H 9: @ CF85 6! @ B; 7C89 "

DF C DF 9 B FM5B8 7 C B: 8 98 H5 @ H 9 B; CFA 5HC B 7 C B H5 B98 -B H: 68F5K B; 6H 9 GC @ DF C D9F HMC: 6567 C 7 185J 6 5B MF 9DF C B1 7 HC B -B D5FHC F 5G5 K < C @ K #K C I H H 9
 K F H98 D9FA 6GC B C: 6567 C 7 185J 6 6DF C < 6498 "

: @CF8-5' DFC81 7H5DDFCJ5 @BC.		A-5A=8589' 5779DH5B79' BC. %&\$' &\$' &	
MIAMI-DADE COUNTY APPROVED			
DFC>97H.			
5F7<#97H.			
7CBHF57HCF.			
EHM			
D5FH.		6F<N5 'L 'G'H	
Babcock-Davis Always right doors. - ' \$ \$ - ' X' 5 J Ybi Y Bcft 6fcc _nb DUF ZAB)) (&		VQŠOK Ü [[- P z @ @ - H B z ^ P z @ @ E (#) * I @ I E @ { @ @ @ @) * I Y @ @ I @ I @ E	
	PCE O	ÖCE/O	UQZ ÖY ÖB@UE
ÖÜCE P	ÜÖÜ	FBI FPG	CE ÖUPZÖB@Y MUFVÄ
UÖSÖEJÖÖ	QV	FBI FPG	Y ÖÖPVIÄ
			ÜPÖÖV/FAJÖG

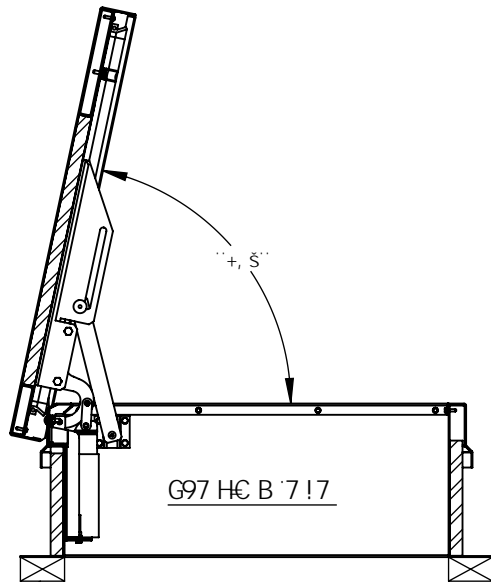
G

F

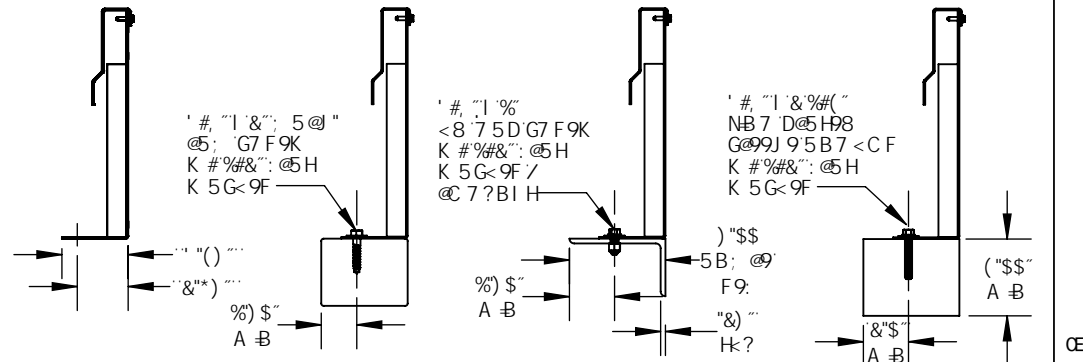


5B7 <CF-B; CDHC BG

IG9H:9:5G9B9F'A5BI:57HF9GF97CA A9B898'G5:9HM:57HCFG'8+:9F9BH7CB8HCBG
 9L@77CBH57HA5BI:57HF9CF'5:@CF-B5DFC:9GC'B5@@79BG98'9B;-B99F:CF7CBG@5HC B"



A C I BHB; 6MC H 9FG
 : C @K 5B7 <CF-B;
 C DHC BG



71F6
89H5 @

KCC8'
71F6
KCC8'G; 1")

G99 @
71F6

7CB7F9H'
71F6
" \$\$\$ DG=A B

<p>Babcock-Davis Always right doors. - ' \$\$ + ' X' 5] Ybi Y Bcft 6fcc _nb DUF ZAB)) (&</p>		<p>VQŠOK</p> <p>Ü [[A z z @ ^ P z z & É È) * J A : É Ç { È [Æ) * I A ç A : a É</p>	
		<p>ÜCZÓ ÖY ÖBÄ UÉ</p> <p>ÖPZÖWÄ MUFVÄ</p>	<p>ÜOX CE</p>
<p>ÜÜCY P ÜÖÜ</p>	<p>FBI FBG FBI FBG</p>	<p>CE</p>	<p>Y ÖCPVIA</p>
<p>ÜÖSÖÜJÖÖ ÇV</p>			<p>ÜPÖÖV/ÄUÖG</p>

DFC DF 9B FM5B8 7CB: B98H5@H:9B: CFA 5HC B 7 C B H 5 B 98 B H: G8F5K B: 6H:9GC @DFC D9FHMC: 6567 C 7 ? 185J G 5B MF 9DFC B I 7 HC B B D5FHCF 5G5 K < C @K H C I H H 9
 K F H B D 9 F A G G C B C : 6567 C 7 ? 185J G 6 DFC < 6 H 8 "

G

F