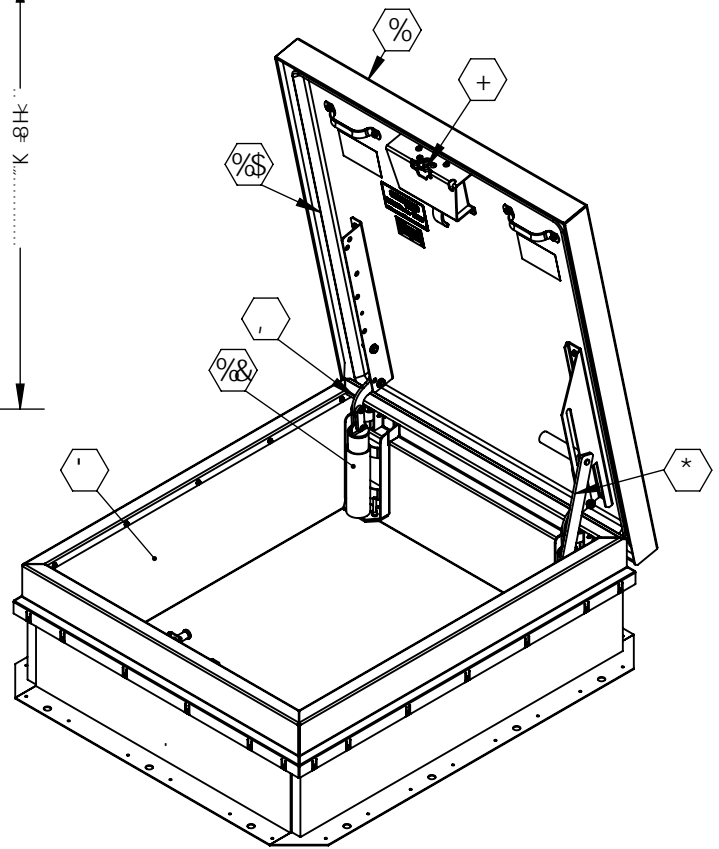
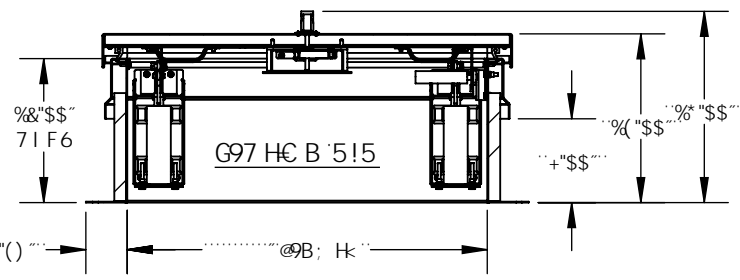
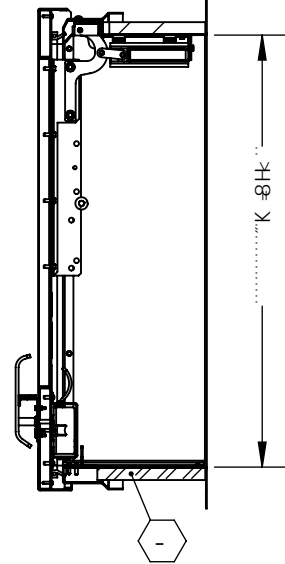


G97 HC B 6!6



G97 = 75HCBG

(F) 7CJ 9F. % ( ; 51 ; 9 ; 5 @ 5B95 @8 7CJ 9F G# : 9B98 HC  
 K #k GH5B8 5 @ 9 @ 58 C : ( \$ DG K #k 5 A 5 L  
 8 9 : @7 HC B C : % # % \$ C : H 9 GD5 B "

(G) @B 9F. && ; 51 ; 9 ; 5 @ 5B95 @8

(H) 71 F6 5B8 7C1 BHF : @G : K # 9NH56.  
 % ( ; 51 ; 9 ; 5 @ 5B95 @8

(I) : -B-G : 7CJ 9F ! F98 CL -89DCK 8 9F  
 71 F6 ! F98 CL -89DCK 8 9F

(J) <5F8K 5F9 NB7 D@5H8 GH9@

(K) <C @ CD9B 5FA . @ 7 ? 7 C J 9 F - B : I @ MC D9B  
 DC GH C B ! NB7 D@5H8 GH9@

(L) @H7 < : GB ; 9DC -B H NB7 D@5H8 FC H5 FM @H7 <  
 5 CG9A 6 @ M8 9G : B 98 HC < C @ 7 C J 9 F 7 @ G98 5 ; 5 -B CH  
 Z # % \$ DG K # B 8 ! D @ H NB7 D@5H8 GH9@ @H7 <  
 GH F 2 9 F C B 7 1 F 6

(M) <B ; 9G NB7 D@5H8 GH9@ H5A D9F DFCC : K #k  
 GH9@ < B ; 9DBG7 CBH5 -B 98 K #k -B < 5H7 < 5GD5FHC :  
 CDF -B ; 5CG9A 6 @M

(J) -B G @ H C B . % : 69F6C 5F8 71 F6 2 % DC @ M H F 9B 97 C J 9 F  
 (E) ; 5G 9 H 58 < 9G J 9 65 7 ? 98 9D8A FI 669F 9LHF1 GC B

(FF) A 5B1 5 @ CD9B -B ; . 7 C J 9 F C D9B GK #k -B H F B 5 @ 5B8  
 9LHF B 5 @ A 5B1 5 @ FC H5 FM @H7 < < 5B8 @ K #k -B H F B 5 @  
 5B8 9LHF B 5 @ D58 @ 7 ? G971 F # M D F C J @ G B "

(FG) CDF -B ; 5CG9A 6 @M ; F95 G98 < 95 J M81 HMGH9@ 7 CA DF 9GGC B

FCC : < 5H7 < GA9 : FK # H k E I FK # B ; H k E

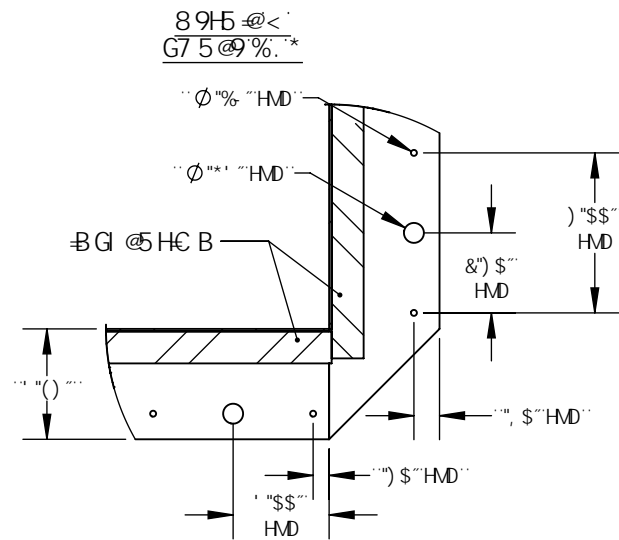
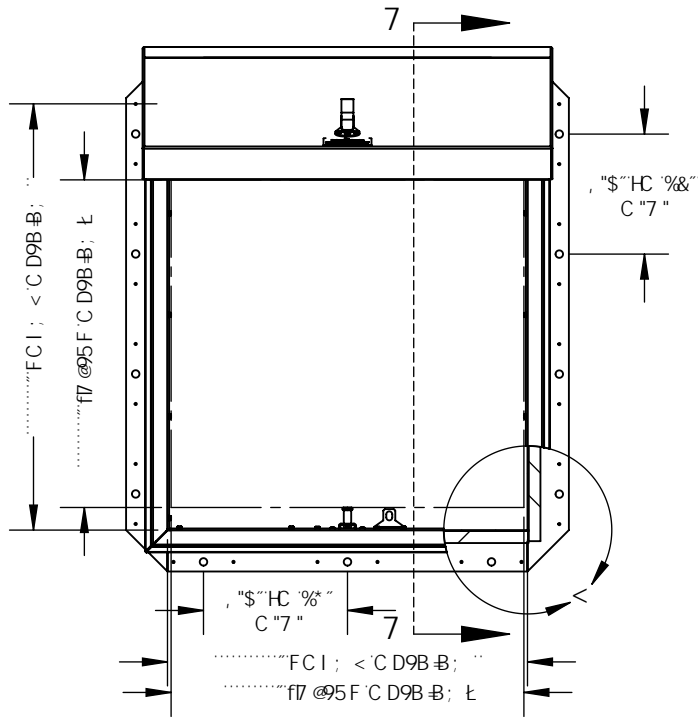
FCI : < CD9B -B ; FK # H k E I FK # B ; H k E

**HGH7 9F# 75HCBG**  
 H5G&\$%A D57 HH9GH  
 H5G&\$&1 B = CFA GH5H7 5 F DF9GG F9 - % \$ DG  
 H5G&\$ 7 M @ K B 8 DF9GG F9 @ 58

H 98 9G : B 7 CBH5 -B 98 < 9F9B -G8 9G : B 98 5B8 HGH8 -B  
 577CF85B79K #k H 9 : @ CF85 6! @B ; 7C89"

DF C DF 9 B FM5 B 8 7 C B : 8 98 H 5 @ H 9 B ; CFA 5 H C B 7 C B H 5 B 98 -B H : 6 8 F 5 K # ; 6 H 9 G C @ D F C D 9 F H M C : 6 5 6 7 C 7 2 1 8 5 J 6 5 B M F 9 D F C 8 1 7 H C B -B D 5 F H C F 5 G 5 K < C @ K # C I H H 9 K F H 9 B D 9 F A G G C B C : 6 5 6 7 C 7 2 1 8 5 J 6 5 B M F 9 D F C 8 1 7 H C B -B D 5 F H C F 5 G 5 K < C @ K # C I H H 9

: @CF8-5 DFC81 7H5DDFCJ5 @BC.		A-5A=8589 7C1 BHMZ: @	
MIAMI-DADE COUNTY APPROVED		BC5. %&\$' &\$' &\$' 9LD-F5H-CB 85 H9. + # % # /	
DFC>97H.			
5F7<#97H.			
7CBHF57HCF.			
EHM			
D5FH.			
 Babcock-Davis Always right doors. -' \$\$ -' 'X'5   Ybi Y Bcft 6fcc_nb DUF ZAB)) (&		VQ'SOK U[ [ - P z @ P : : B z ^ P z @ C E E J ) *   A O I E U c ^   E U ^ A U c a ^ A U , a E U ) *   A a   A O : i a	
	PCE O	OCE/O	UZO OY O E A U E
OUCY P	UOU	FBI FG	CE
UOSCEUO	QV	FBI FG	Y OOPVIA
			UOX CE
			UP OOV / A U O G



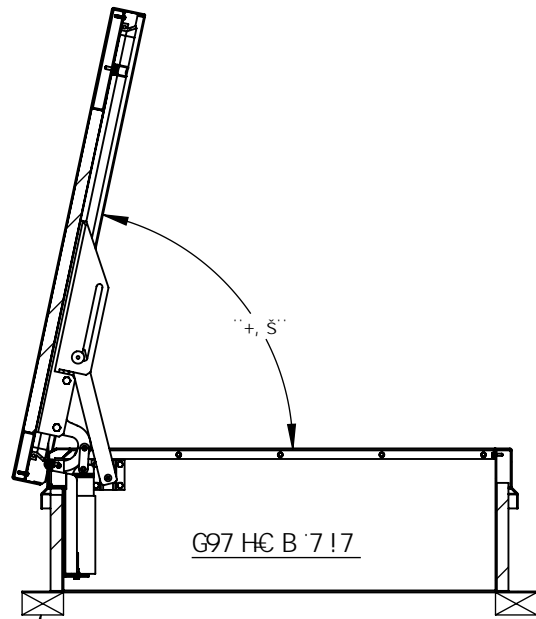
**5B7 < C F-B; C DHC B G**

I G9H<9; 5G9B 9F A 5B1 : 57 H F9GF97 C A A 9B898 G5: 9H: 57 HC FG" \* 8+: 9F9BH7 C B8 HC BG 9L<GZ7 CBH57 HA 5B1 : 57 H F9CF 5": @CF<85 DFC: 9GGC B5 @7 9B998 9B: B99F : C F 7 C B G @5HC B"

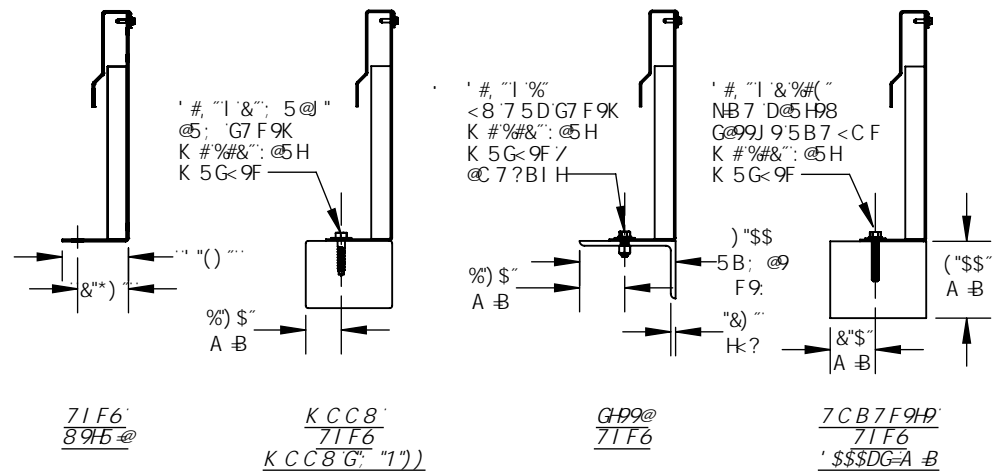
0

0

CE



A C I BHB; 6MC H 9FG  
: C @C K 5B7 < C F-B;  
C DHC BGF97 C A A 9B85HC BG



DFC DF 9B FM5B8 7 C B: 89H5 @ H 9 B: CFA 5HC B 7 C B H 5 B 98 B H: G8F5K B: 6H: 9GC @ DFC D9F HMC: 6567 C 7 7185J G 5B MF 9DFC B1 7 HC B B D5FHCF 5G5 K < C @K H C H H 9 K F H 9B D9FA GGC B C: 6567 C 7 7185J G 6 G DFC < 6+98"

<p><b>Babcock-Davis</b> Always right doors.</p>		<p>VQŠOK</p> <p>Ü [ [ - P a z &amp; @ ^ H a z ^ P a z &amp; @ E E J ) * A O : E Ü e ^ A U a A U c a A U , a A U a * A A a A O : a</p>		
ÜÜÜÜ P	ÜÜÜ	FBI FBG	CE	UOX
ÜÜÜÜÜÜÜÜ	ÜÜÜ	FBI FBG	Y ÜÜÜÜÜÜÜÜ	ÜÜÜÜÜÜÜÜÜÜ