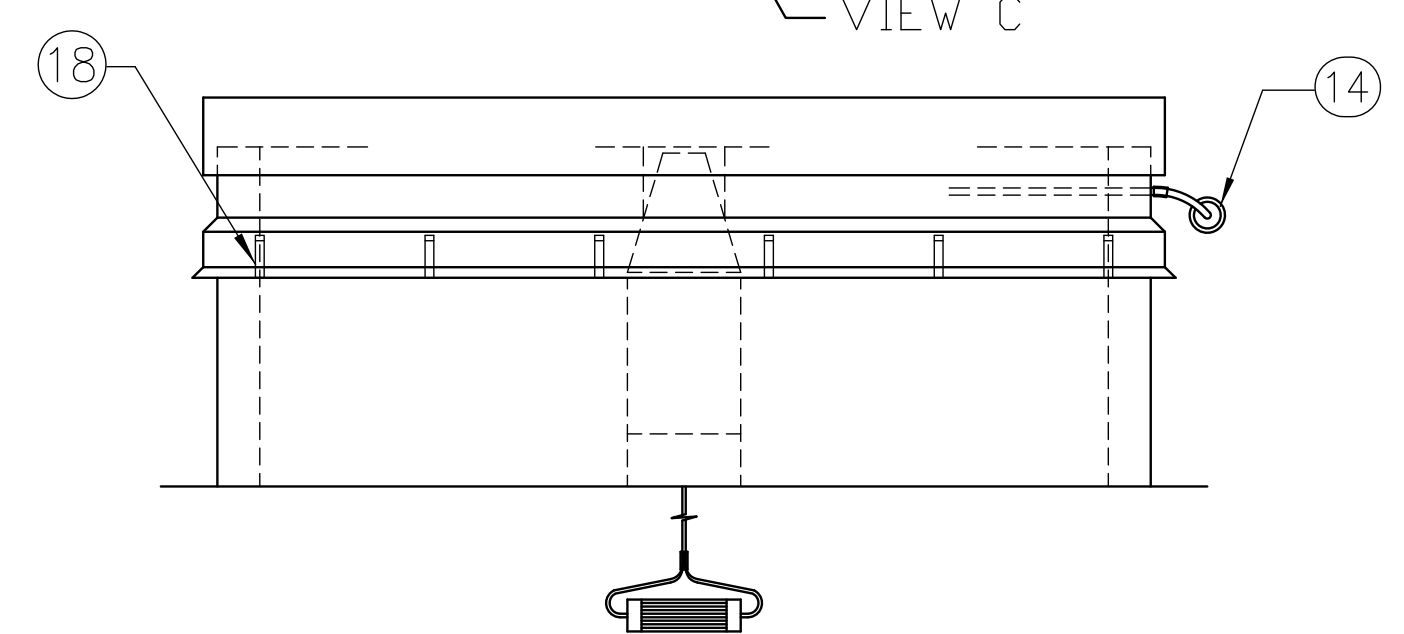
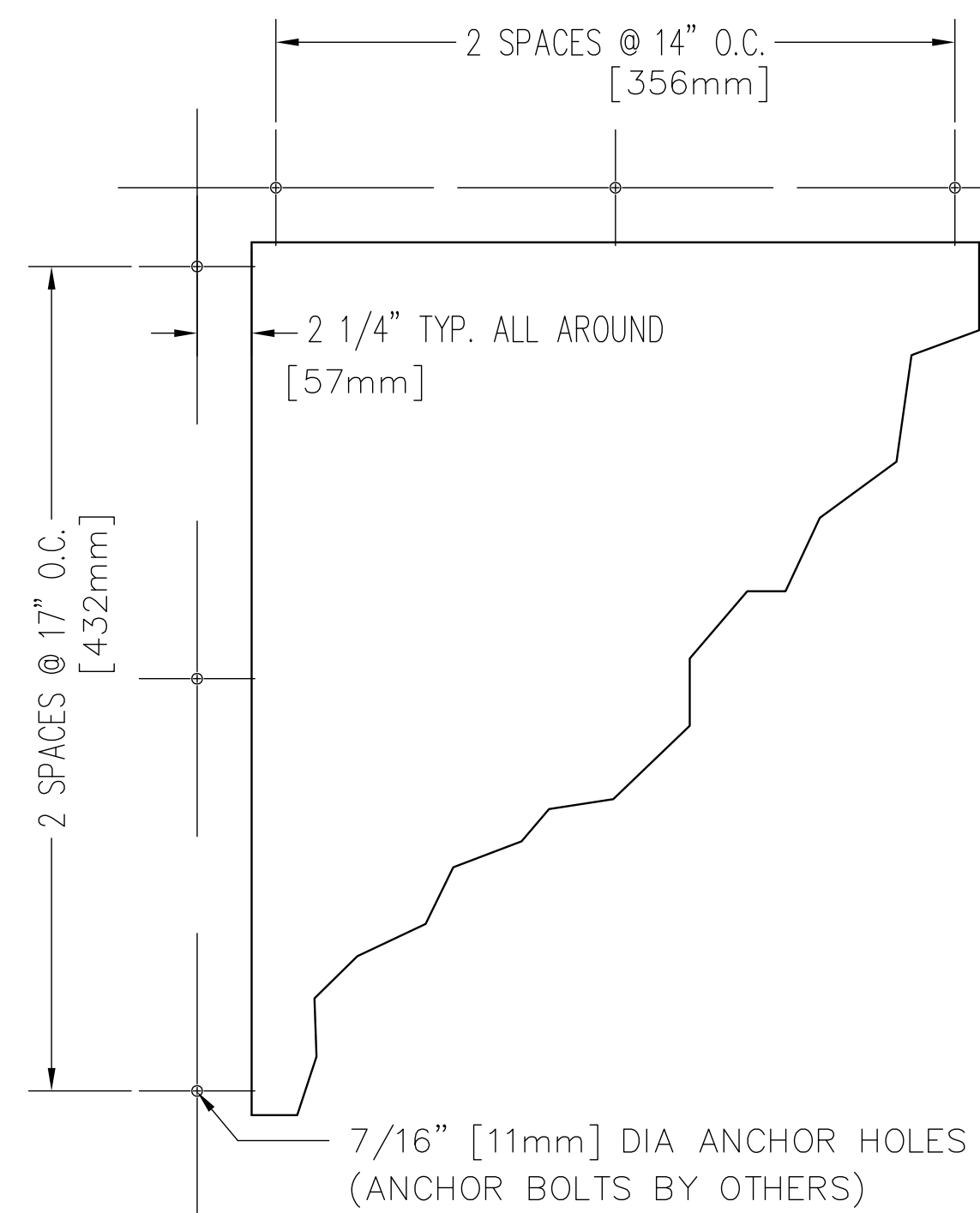
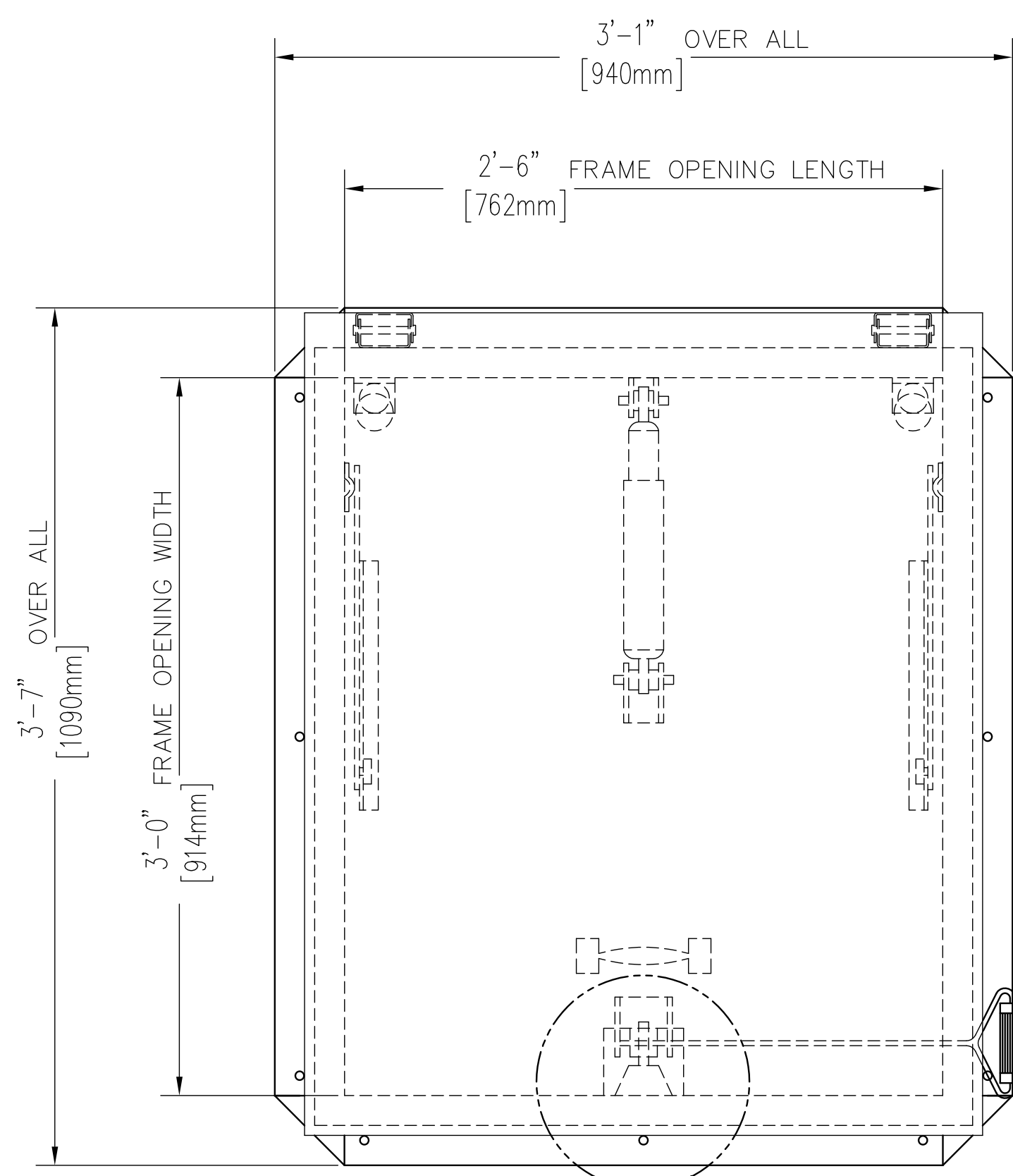
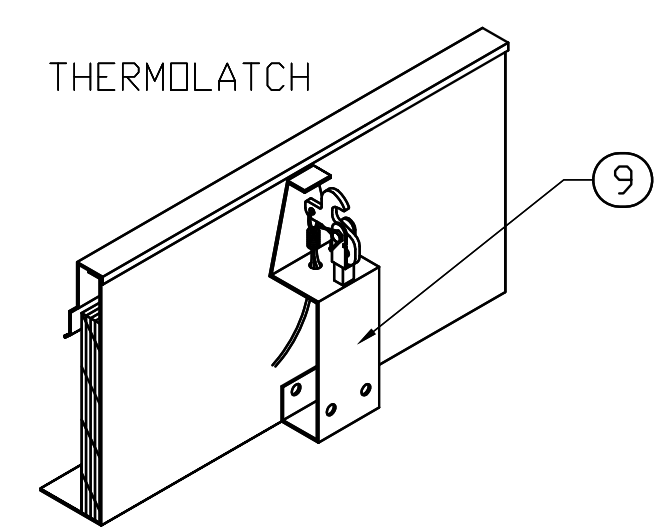


For more information  
Or to buy this product  
**Click here**



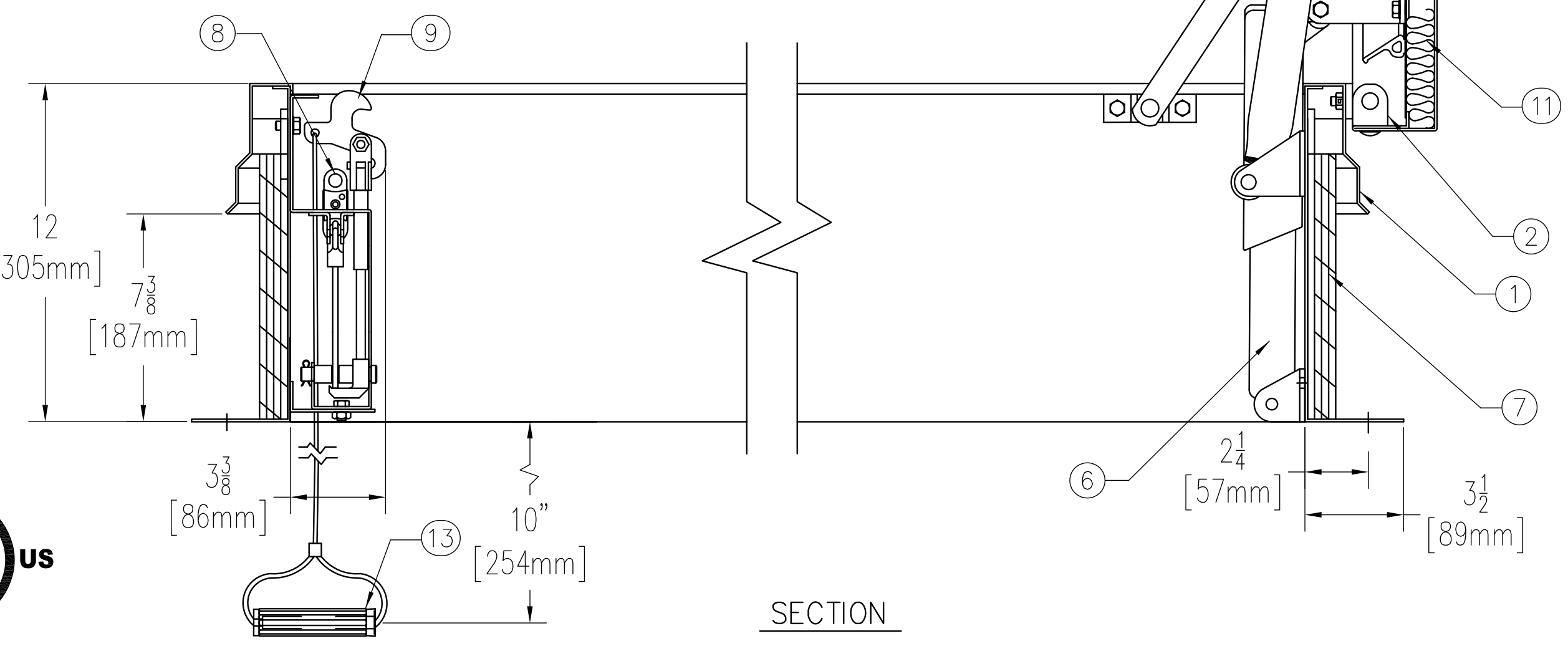
ANCHOR HOLE LAYOUT

NOTE  
1. COVERS SHALL OPEN AGAINST 10 PSF (49 kg/m<sup>2</sup>) SNOW/WIND LOAD  
2. VENT ASSEMBLY RATED FOR 40 PSF (195 kg/m<sup>2</sup>) LIVE LOAD  
3. COVERS WILL REMAIN CLOSED UNDER 90 PSF (438 kg/m<sup>2</sup>) WIND UPLIFT FORCE

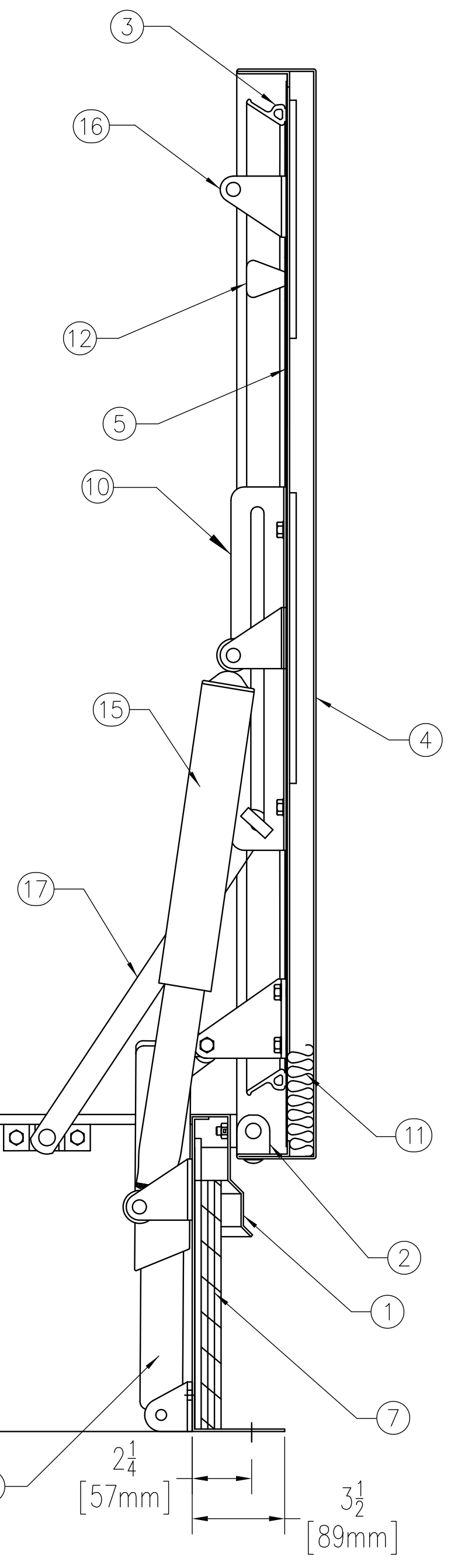


1. THERMOLATCH MECHANISM - COVERS WILL OPERATE ONLY WHEN ACTIVATED  
A. MANUALLY  
B. BY HEAT AT 165°F FUSIBLE LINK  
VIEW C

THIS DRAWING IS THE PROPERTY OF THE BILCO COMPANY AND INCORPORATES INFORMATION WHICH IS PROPRIETARY. PUBLICATION AND/OR PUBLIC DISTRIBUTION IN WHOLE OR IN PART IS EXPRESSLY PROHIBITED WITHOUT THE PRIOR WRITTEN CONSENT OF THE BILCO COMPANY. THE INFORMATION CONTAINED HEREIN REMAINS THE PROPERTY OF THE BILCO COMPANY. ALL RIGHTS RESERVED.



SECTION



- SPECIFICATIONS**
- FRAME W/ CAPFLASHING (CORNERS FULL WELDED)
    - S-20SV - 14 GAUGE P.B. GALV. STEEL
    - S-40SV - 14 GAUGE P.B. GALV. STEEL
    - S-50SV - 11 GAUGE ALUMINUM
  - PINTLE HINGE
  - GASKET (ALL AROUND COVER)
  - COVER GAUGE
    - S-20SV - 14 GAUGE P.B. GALV. STEEL
    - S-40SV - 11 GAUGE ALUMINUM
    - S-50SV - 11 GAUGE ALUMINUM
  - COVER LINER
    - S-20SV - 22 GAUGE P.B. GALV. STEEL
    - S-40SV - 18 GAUGE ALUMINUM
    - S-50SV - 18 GAUGE ALUMINUM
  - LIFTING MECHANISM WITH REINFORCED COMPOSITE TUBES AND COMPRESSION SPRINGS
  - 1" RIGID FIBERBOARD INSULATION
  - 165° FUSIBLE LINK (EXTRA LINK PROVIDED)
  - THERMOLATCH<sup>®</sup> POSITIVE HOLD/RELEASE MECHANISM
  - ARM GUIDE BRACKET
  - 1" THICK FIBERGLASS COVER INSULATION
  - GRAB HANDLE
  - PULL GRIP TO OPEN FROM INSIDE 1/8" DIA STEEL CABLE
  - PULL GRIP TO OPEN FROM OUTSIDE 1/8" DIA STEEL CABLE
  - SHOCK ABSORBER
  - COVER LATCH BRACKET
  - GUIDE ARM (2 REQ'D)
  - BILCLIP<sup>®</sup> FLASHING SYSTEM
- SHOP FINISH:  
STEEL: RED OXIDE PRIMER  
ALUMINUM: MILL FINISH  
HARDWARE: ZINC PLATED & CHROMATE SEALED (UNLESS OTHERWISE SPECIFIED)

THIS PRODUCT MAY BE INSTALLED ON EITHER A FLAT OR SLOPING ROOF. WHEN INSTALLED ON A SLOPE, THE HINGE SIDE MUST RUN PARALLEL WITH THE SLOPE. IF SLOPE EXCEEDS 30°, ADVISE FACTORY FOR MODIFICATION.

CUSTOMER: \_\_\_\_\_

P.O. N° \_\_\_\_\_

JOB: \_\_\_\_\_

SALES REP: \_\_\_\_\_

Manufacturers of Doors for Special Services  
**Bilco**<sup>®</sup> THE BILCO COMPANY  
New Haven, Connecticut 06505

**SINGLE LEAF FIRE VENT**  
**TYPE S-SV SIZE 3'-0" x 2'-6"**  
WIDTH x LENGTH

QTY	TYPE	METAL
<input type="checkbox"/>	S-20SV	STEEL COVER/STEEL FRAME
<input type="checkbox"/>	S-40SV	ALUM. COVER/STEEL FRAME
<input type="checkbox"/>	S-50SV	ALUM. COVER/ALUM. FRAME

© 02-04-15 THE BILCO COMPANY