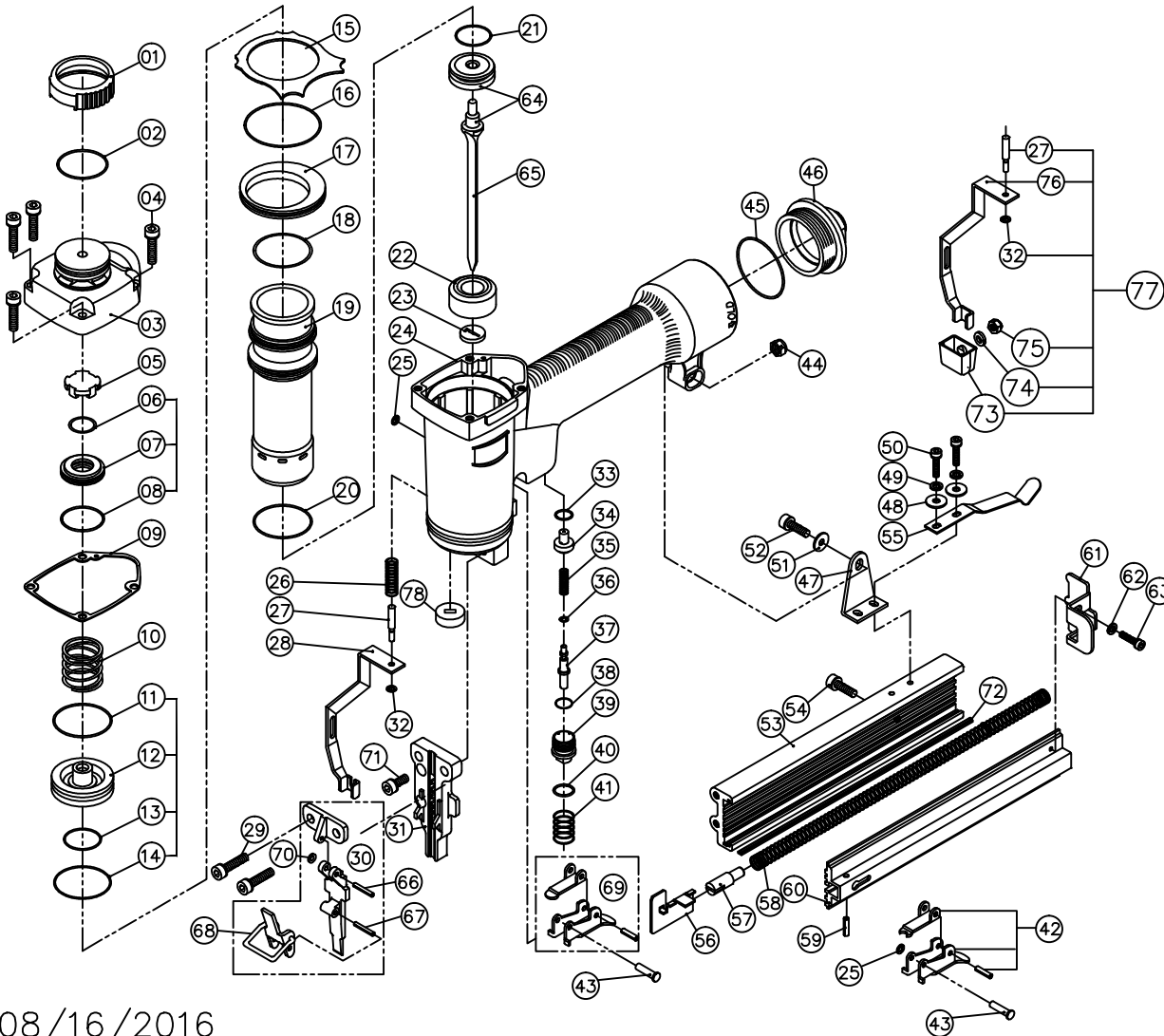


DISTRIBUTED BY

**Best MATERIALS.com**

**MODEL CB 1832**

THIS TOOL EQUIPPED WITH  
A RESTRICTIVE TRIGGER



**SPOTNAILS MODEL CB 1832**

Ref No.	Part No.	Description	Ref No.	Part No.	Description
01	P-70043	Exhaust Deflector	40	P-64241	O-Ring
02	P-64392	O-Ring	41	P-18337	Spring
03	P-60176	Body Cap	42	AS-21006	Trigger Assembly
04	P-24358	Screw	43	P-07234	Trigger Pin
05	P-15199	Exhaust Seal	44	P-26126	Nut
06	P-64332	O-Ring	45	P-64389	Cap O-Ring
07	P-22167	Poppet Valve Guide	46	P-60175	End Cap
08	P-64393	O-Ring	47	P-13040	Bracket
09	P-62072	Gasket	48	P-32171	Washer
10	P-18226	Spring	49	P-32144	Spring Washer
11	P-64232	Poppet O-Ring	50	P-24304	Screw
12	P-63039	Poppet Valve	51	P-32170	Washer
13	P-64233	Piston Stop O-Ring	52	P-24450	Screw
14	P-64234	Cylinder Seal O-Ring	53	P-12229	Magazine
15	P-03071	Guide Spacer	54	P-24317	Screw
16	P-64394	O-Ring	55	P-18231	Latch Spring
17	P-03072	Cylinder Spacer	56	P-09148	Pusher
18	P-64616	Cylinder O-Ring	57	P-18229	Spring Stem
19	P-05099	Cylinder	58	P-18230	Feeder Spring
20	P-64395	Cylinder O-Ring	59	P-07237	Pusher Stop Pin
21	P-64236	Piston O-Ring	60	P-12230	Magazine Cover
22	P-15121	Bumper	61	P-04049	Latch
23	P-15122	Return Seal	62	P-32144	Washer
24	P-01264	Body	63	P-24364	Screw
25	P-32143	E-Ring	64	AS-06040	Piston & Driver Assembly
26	P-18228	Contact Arm Spring	65	P-06229	Driver Blade
27	P-07336	Contact Pin	66	P-07356	Step Pin
28	P-53168	Safety	67	P-07353	Pin
29	P-24300	Screw	68	AS-04036	Latch Assembly
30	AS-10046	Front Plate Assembly	69	AS-21017	Restrictive Trigger
31	P-08468	Wear Plate	70	P-64434	O-Ring
32	P-32143	E-Ring	71	P-24483	Screw
33	P-64239	Valve Housing O-Ring	72	P-27189	Wear Insert
34	P-22168	Upper Valve Housing	73	P-96129	No Mar Tip
35	P-18336	Spring	74	P-32290	Washer
36	P-64240	Valve Stem O-Ring	75	P-26189	Nut
37	P-22169	Plunger	76	P-53202	Safety For No Mar Tip
38	P-64421	O-Ring	77	AS-53078	No Mar Safety (Optional)
39	P-22170	Lower Valve Housing	78	P-15271	Return Seal

◆ Parts Included In AS-97283 O-Ring & Seal Kit

08/16/2016