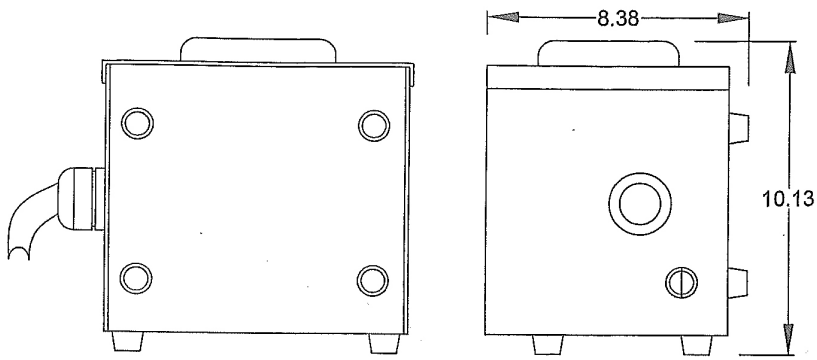


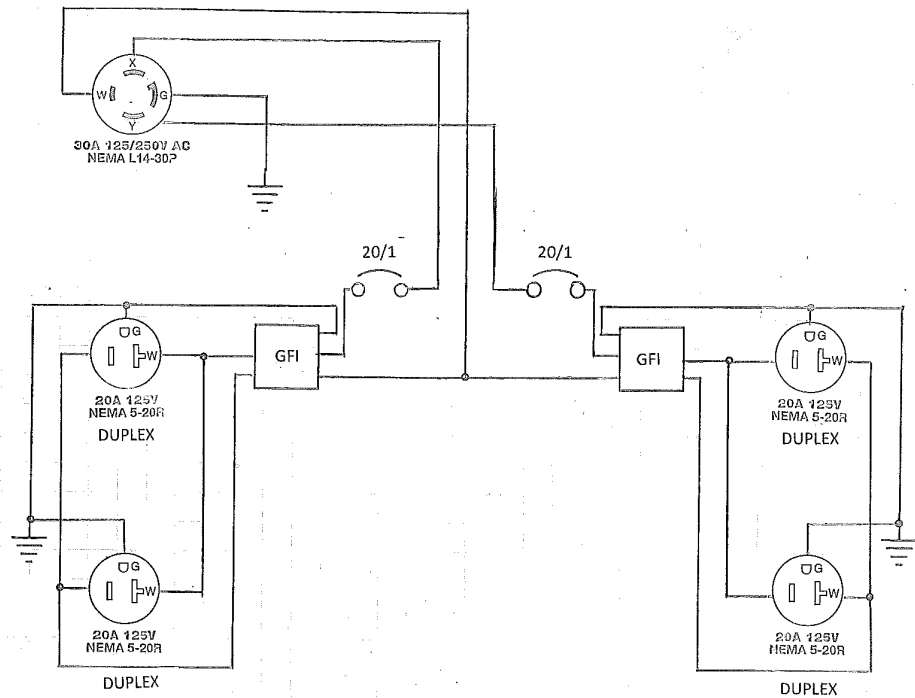
LT. SIDE

FRONT



BACK

RT. SIDE



PROPRIETARY AND CONFIDENTIAL
 THE INFORMATION CONTAINED IN THIS DRAWING IS THE SOLE PROPERTY OF CONSTRUCTION ELECTRICAL PRODUCTS. ANY REPRODUCTION IN PART OR AS A WHOLE WITHOUT THE WRITTEN PERMISSION OF CONSTRUCTION ELECTRICAL PRODUCTS IS PROHIBITED.

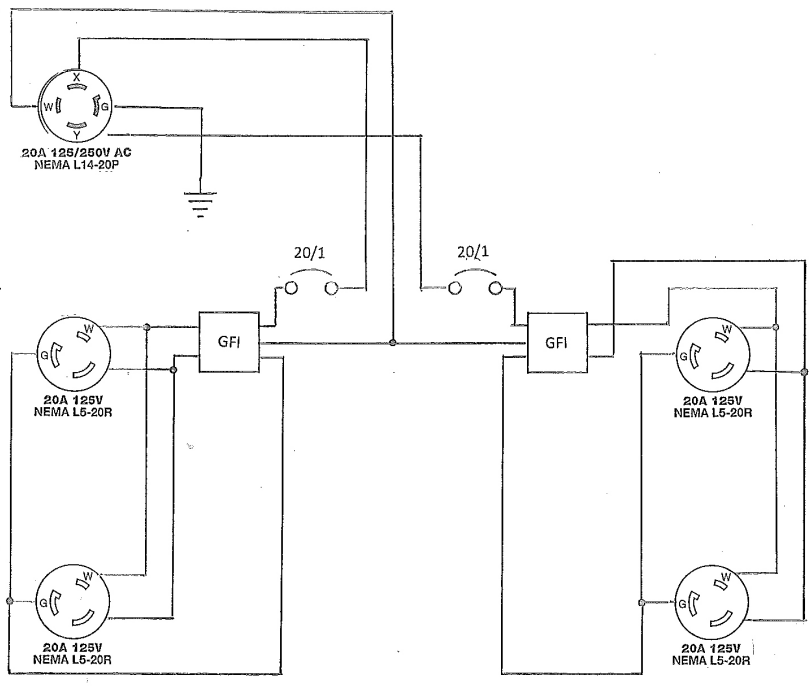
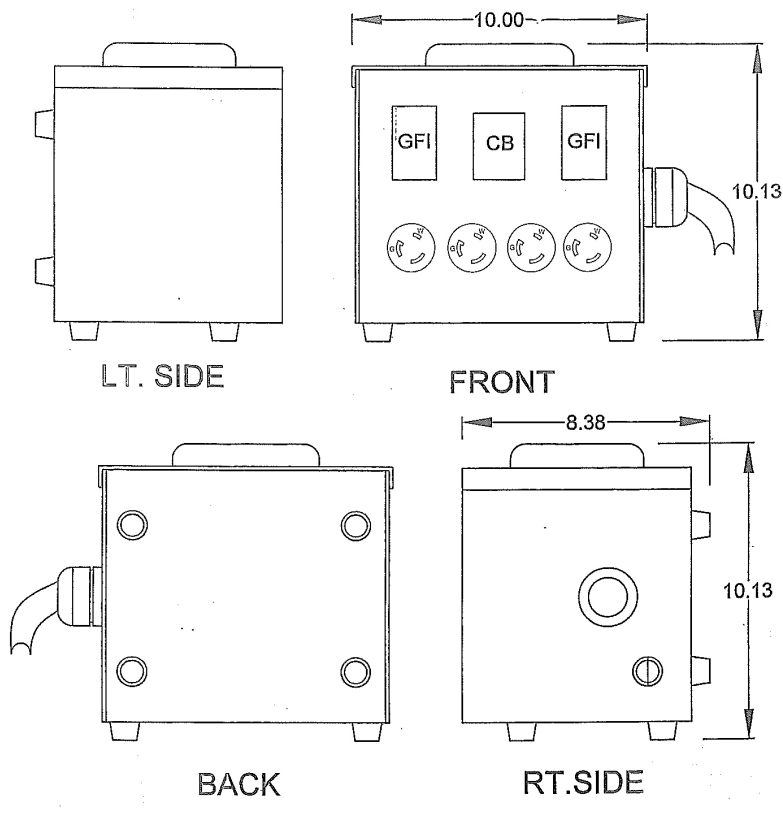
CAP CONSTRUCTION ELECTRICAL PRODUCTS
 7800 Los Positas Road
 Livermore, CA 94551
 Phone: 925-828-9420

	NAME	DATE
DRAWN	S.S.	12/26
CHECKED		
ENG. APPR	S.S.	12/26
MFG. APPR		
Q.A.		

COMMENTS:

 DATE: 12-26-12

TITLE
 6503GU
 MINI PWR CR
 DRAWING # 6503GU-01 REV. 18



<p>PROPRIETARY AND CONFIDENTIAL</p> <p>THE INFORMATION CONTAINED IN THIS DRAWING IS THE SOLE PROPERTY OF CONSTRUCTION ELECTRICAL PRODUCTS. ANY REPRODUCTION IN PART OR AS A WHOLE WITHOUT THE WRITTEN PERMISSION OF CONSTRUCTION ELECTRICAL PRODUCTS IS PROHIBITED.</p>	<p>CONSTRUCTION ELECTRICAL PRODUCTS</p> <p>7800 Los Positas Road Livermore, CA 94551 Phone: 925-828-9420</p>	<p>NAME</p> <p>S.S.</p>	<p>DATE</p> <p>12/26</p>	<p>COMMENTS:</p> <p>DATE: 12-26-12</p>	<p>TITLE</p> <p>6502 GFL</p>	
		<p>CHECKED</p>				<p>Mini Power Ctr</p>
		<p>ENG. APPR</p>	<p>S.S.</p>		<p>12/26</p>	<p>DRAWING #</p> <p>6502GFL-01</p>
		<p>MEG. APPR</p>				<p>REV.</p> <p>0</p>
		<p>O.A.</p>				