



Distributed by: BEST MATERIALS LLC
Ph: 800-474-7570, 602-272-8128 Fax: 602-272-8014
www.BestMaterials.com Email: Sales@BestMaterials.com

Products and parts for deck construction

Technical spec. for ***Heavy Duty Spike 66*** No. article 12986

Commercial steel post designed to support heavy-duty work: fences (< 84 in), post boxes, signs. A solution which is fast, efficient and economical, which does not require digging or pouring concrete.

Easy to install: Drive in the ground using a drive block and attach a square post to it. Its blades anchor it solidly. It does not require maintenance due to its baked powder coating finish (anticorrosion).

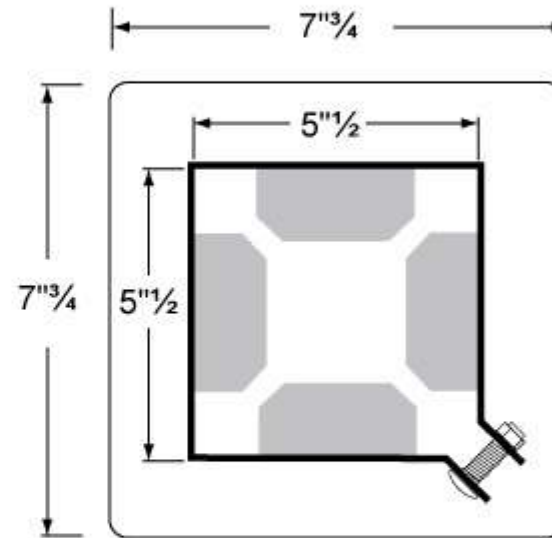
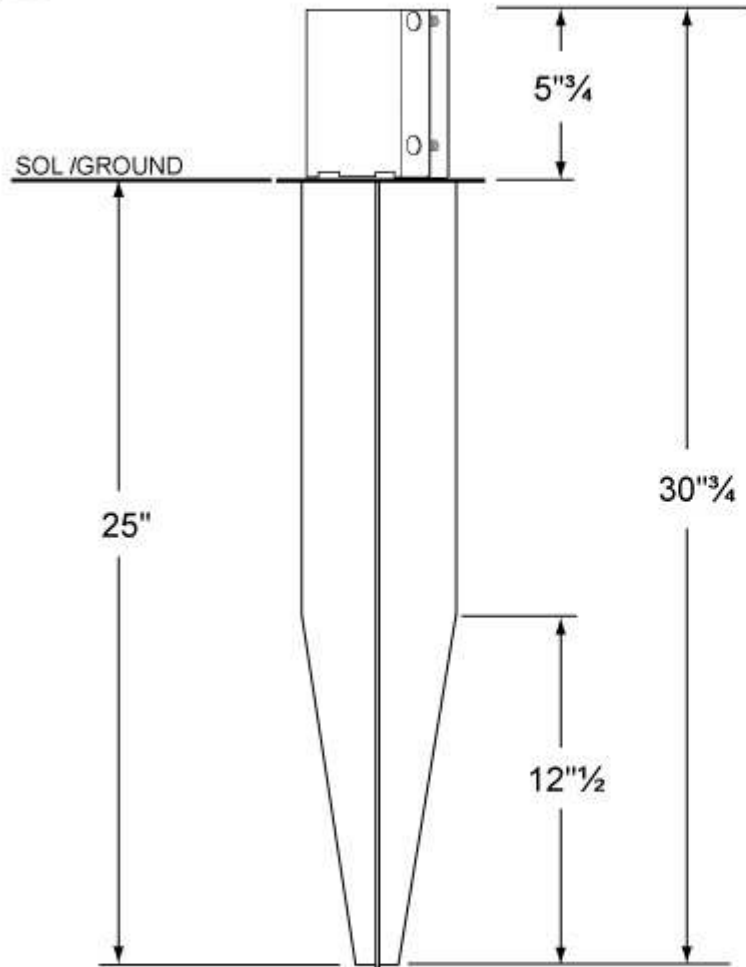
To be used with 5 in x 5 in square posts

Offers long term protection since the wooden post is above ground level



ITEM # 12986

POUR CLÔTURE DE MOINS 84" DE HAUT
USE LES THAN 84" HIGH FENCE



POIDS / WEIGHT : 6 Kg
POIDS / WEIGHT : 13 lbs

Distributed by: BEST MATERIALS LLC
Ph: 800-474-7570, 602-272-8128 Fax: 602-272-8014
www.BestMaterials.com Email: Sales@BestMaterials.com