



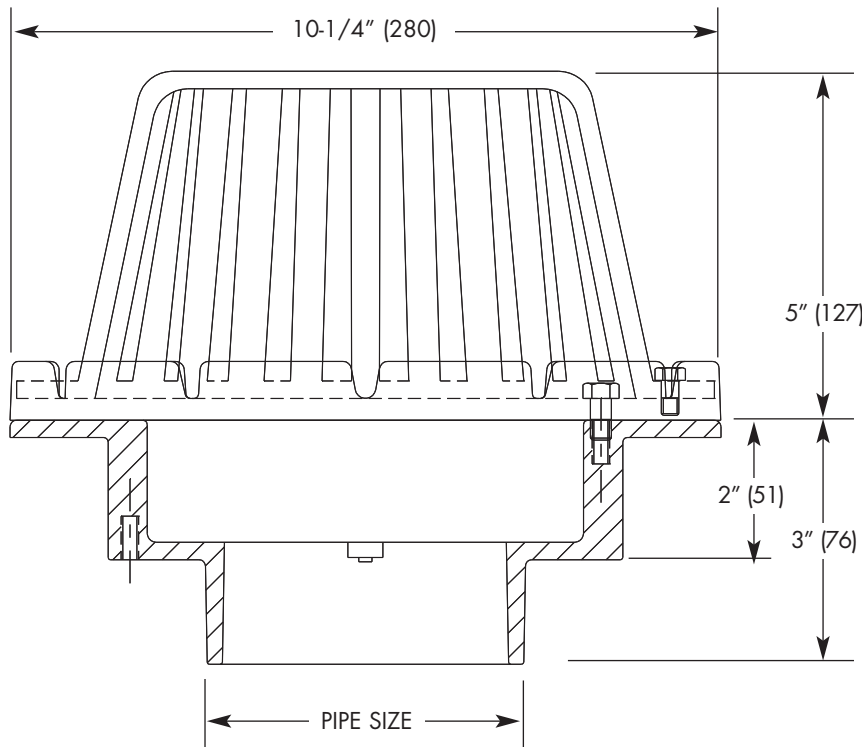
RD1

10" Dia. Roof Drain

Tag: \_\_\_\_\_

**PROLINE**

**SPECIFICATION:** Watts ProLine RD1 PVC, ABS, or cast iron roof drain with aluminum alloy flashing clamp, and secured poly or cast iron dome.



Pipe Sizing (Select One)		
Suffix	Description	
-2PVC	2" PVC	<input type="checkbox"/>
-2ABS	2" ABS	<input type="checkbox"/>
-2NH	2" No Hub	<input type="checkbox"/>
-3PVC	3" PVC	<input type="checkbox"/>
-3ABS	3" ABS	<input type="checkbox"/>
-3NH	3" No Hub	<input type="checkbox"/>
-4PVC	4" PVC	<input type="checkbox"/>
-4ABS	4" ABS	<input type="checkbox"/>
-4NH	4" No Hub	<input type="checkbox"/>

Options (Select One or More)		
Suffix	Description	
-D	Deck Clamp	<input type="checkbox"/>
-E	Adjustable Extension	<input type="checkbox"/>
-GG	SS Gravel Guard	<input type="checkbox"/>
-M	Cast Iron Dome	<input type="checkbox"/>
-P	Sump Receiver	<input type="checkbox"/>
-R	2" External Overflow Dam	<input type="checkbox"/>
-VP	Vandal Proof Screws	<input type="checkbox"/>
-X	Flotrol Device	<input type="checkbox"/>
2DP	Poly Dome Only	<input type="checkbox"/>
2D	Cast Iron Dome Only	<input type="checkbox"/>

Distributed by: **BEST MATERIALS LLC**  
 Ph: 800-474-7570, 602-272-8128 Fax: 602-272-8014  
[www.BestMaterials.com](http://www.BestMaterials.com) Email: [Sales@BestMaterials.com](mailto:Sales@BestMaterials.com)

Job Name \_\_\_\_\_ Contractor \_\_\_\_\_

Job Location \_\_\_\_\_ Contractor's P.O. No. \_\_\_\_\_

Engineer \_\_\_\_\_ Representative \_\_\_\_\_

WATTS Drainage reserves the right to modify or change product design or construction without prior notice and without incurring any obligation to make similar changes and modifications to products previously or subsequently sold. See your WATTS Drainage representative for any clarification. Dimensions are subject to manufacturing tolerances.



Specification Drainage Products

[www.watts.com](http://www.watts.com)