

## Products and parts for deck construction

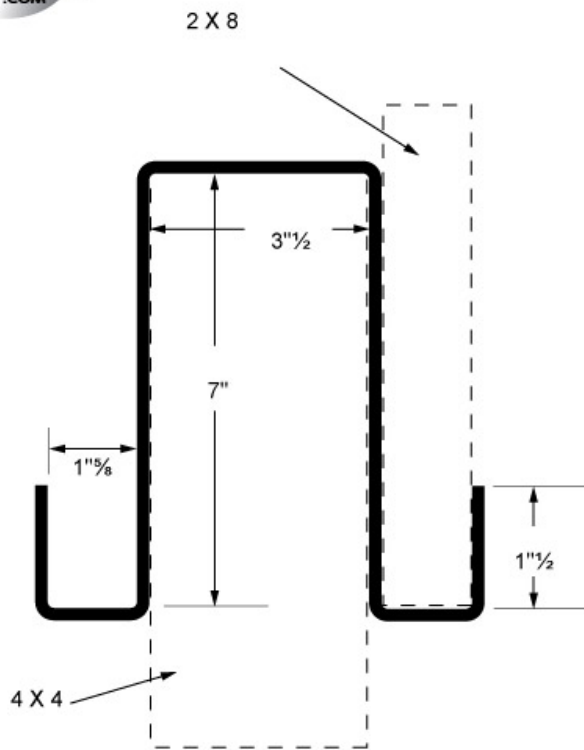
Technical spec. for **Suplak 44** No. article

You will have peace of mind with this bracket, which can support the whole weight of your patio. Even with extra weight, your patio will keep its initial appearance. Well thought and simple!

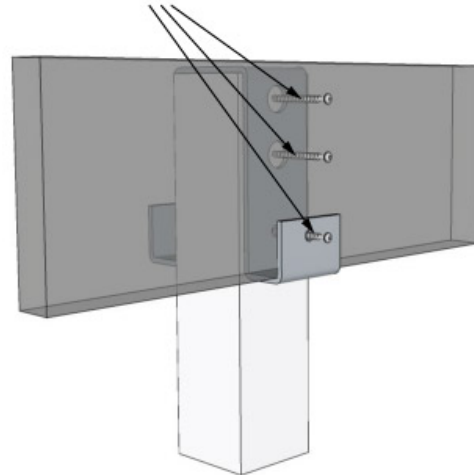
Its steel fabrication gives it a high resistance and solidity. All the load is absorbed by the bracket in a



ITEM # 12100



Utiliser des vis / Use the screws  
**#10 de 3"**



UTILISATION / USE : 2 X 8