

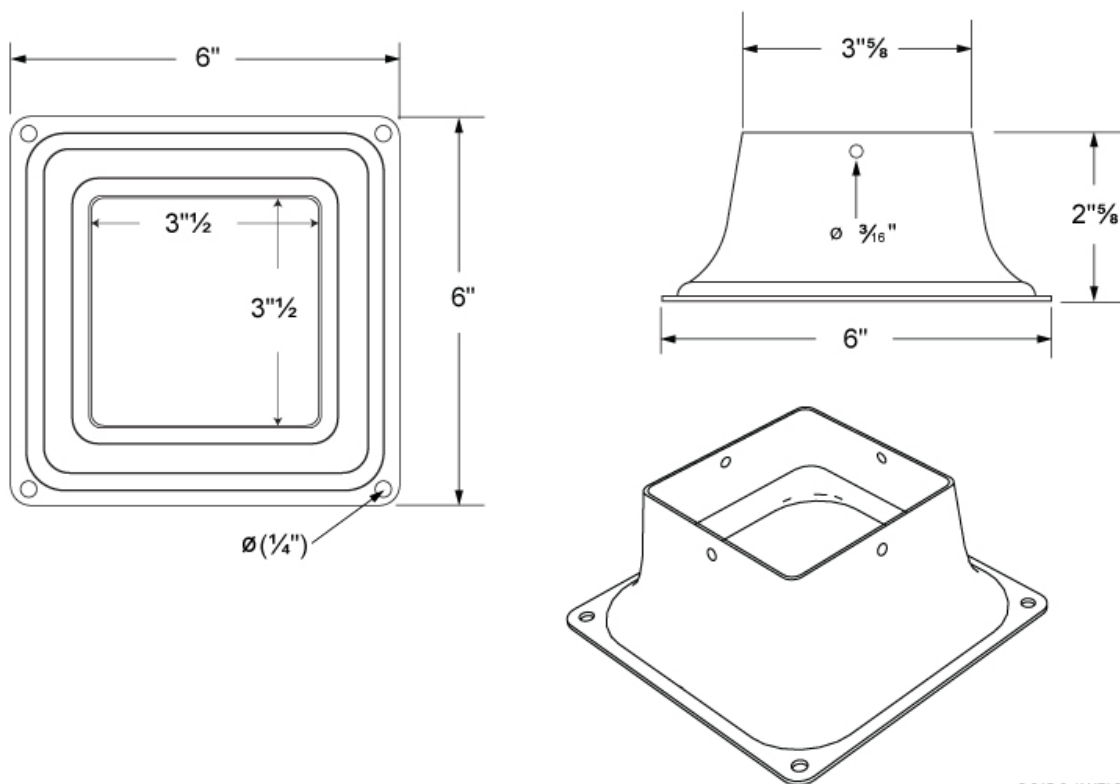
## Products and parts for deck construction

Technical spec. for **Base 44 (Khaki)** No. article

Steel base designed to be used with the FIXPLAK 44 Khaki (



ITEM # 13045



POIDS / WEIGHT : 0,450 Kg  
UTILISATION / USE 4 X 4