

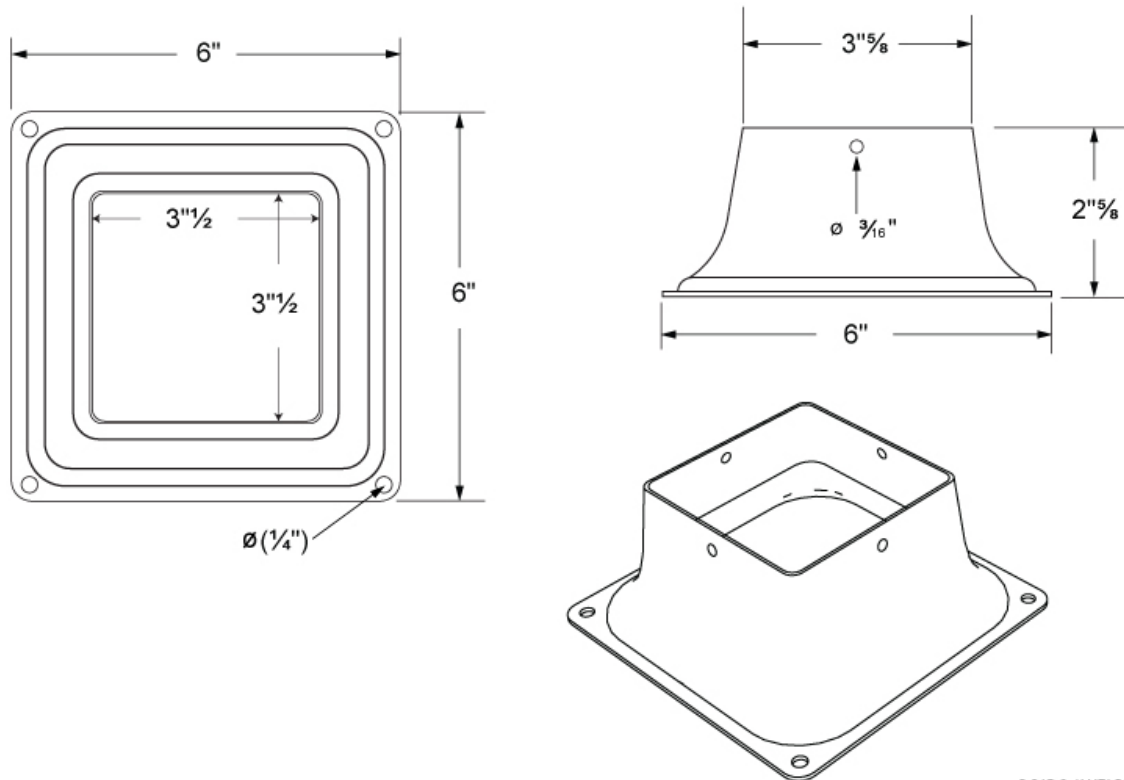
Products and parts for deck construction

Technical spec. for **Base 44 (Cedar)** No. article

Steel base designed to be used with the FIXPLAK 44 Cedar (



ITEM # 13047



POIDS / WEIGHT : 0,450 Kg
UTILISATION / USE 4 X 4