

## ROOF HATCH- Diamond Series™ (RHD) Installation & Maintenance Guide

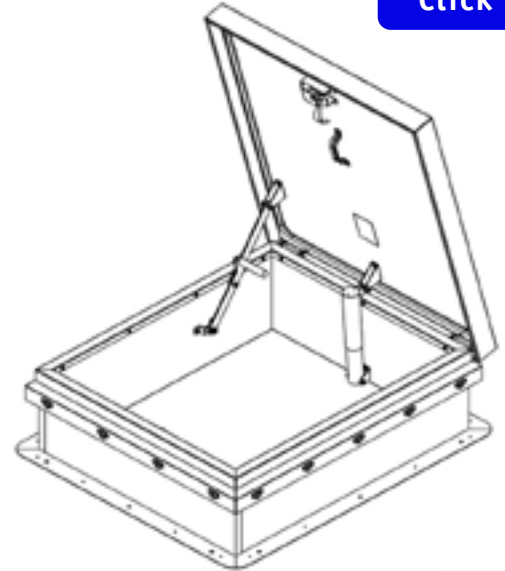
For more information  
Or to buy this product  
[Click here](#)

### GENERAL:

For fixed vertical ladders, position roof hatch so the hinged side is opposite of the ladder at the back side of the climber. For stairways, position the roof hatch so the hold-open arm is at the head of the stairway. The hinged side runs parallel to the stairway.

When mounting roof hatch on pitched roofs up to 7:12, mount hinge side parallel to slope. Caution: Roof hatch cover is spring loaded. Make sure hatch is in horizontal position prior to opening cover.

Steel roof hatches come standard with a powder coat finish, so do not need additional paint for corrosion protection. However, powder coat can be re-coated, provided the following procedures are followed: Abrade the entire paint surface with abrasive pad that does not shred, rust or splinter. Before applying paint in the field, clean surface well.



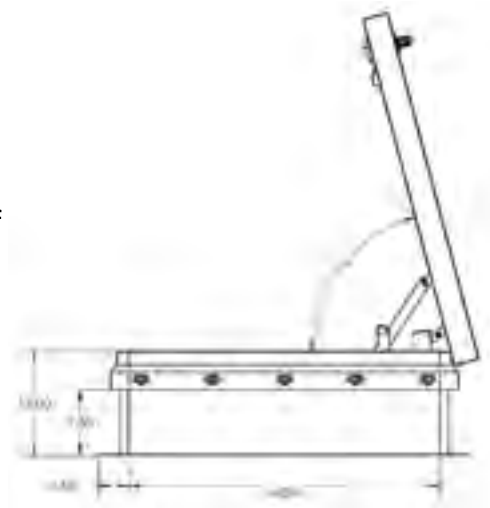
### INSTALLATION:

1. Prepare opening through roof deck of width and length as specified by details on submittal drawing. The roof opening size is equal to the roof hatch size, which is measured inside curb to inside curb.
  - A ladder access roof hatch that measures 36" width (hinge to latch) x 30" length (hinge side), will have a roof rough opening of 36"x30".
2. Opening must be positioned so as to not impair structural integrity of roof. Supporting structure must withstand lateral and thermal stresses as well as load pressures.
3. Check that the frame rests flat on plane and is not twisted or uneven. Shim, if required, to ensure proper door operation.

- Secure the roof hatch to the roof deck using fasteners (by others) through the two (2) sizes of mounting holes provided in the base flange; .437 or .218.
- Complete the roofing installation in accordance with accepted roofing industry practice based on roofing material types. For single ply type roofing, apply adhesive to back side of membrane and along roof hatch curb insulation.

Allow at least a 4" fold at top edge. Place a 1" foam backer rod up in membrane and insert under the counterflashing until it's pressed beyond the Diamond Grip feature.

Complete on all four sides. The membrane automatically stays secured in place above the Diamond Grip feature without the use of additional tools, or sharp edged tabs.



## ROOF HATCH- Diamond Series™ (RHD) Installation & Maintenance Guide

Page 2 of 2

### OPERATION:

Caution: Make sure to consider weather conditions prior to using the roof hatch. Use caution at all times, especially when hatch cover is open.

Opening from below: Turn slam latch handle and, with one hand, raise cover to full open position.

Closing from below: For ladder access hatch with ladder correctly installed opposite hinge side: Descend ladder to position where your head is at curb level. While holding onto ladder with one hand, grasp red vinyl grip on the hold-open arm and pull to disengage, then grasp the pull handle to full close and latch the cover with the slam latch.

Opening from above: Rotate the exterior L turn handle and raise cover to full open position.

Closing from above: Grasp red vinyl grip of the hold open arm and pull to disengage, then push on the handle or edge of the cover to fully close and latch door.

### MAINTENANCE:

Manually operate once a year to check functionality of moving parts such as latches, hinges and turn handles. Test outside and inside manual operation of latches. Rotate exterior handle from exterior to release slam latch and open door. From inside, rotate the slam latch lever. Adjust (if required) latch keepers to insure full secure latching in closed position.

Periodically clean latches and strikes of old grease and dirt using soap and water and reapply lubrication as needed.