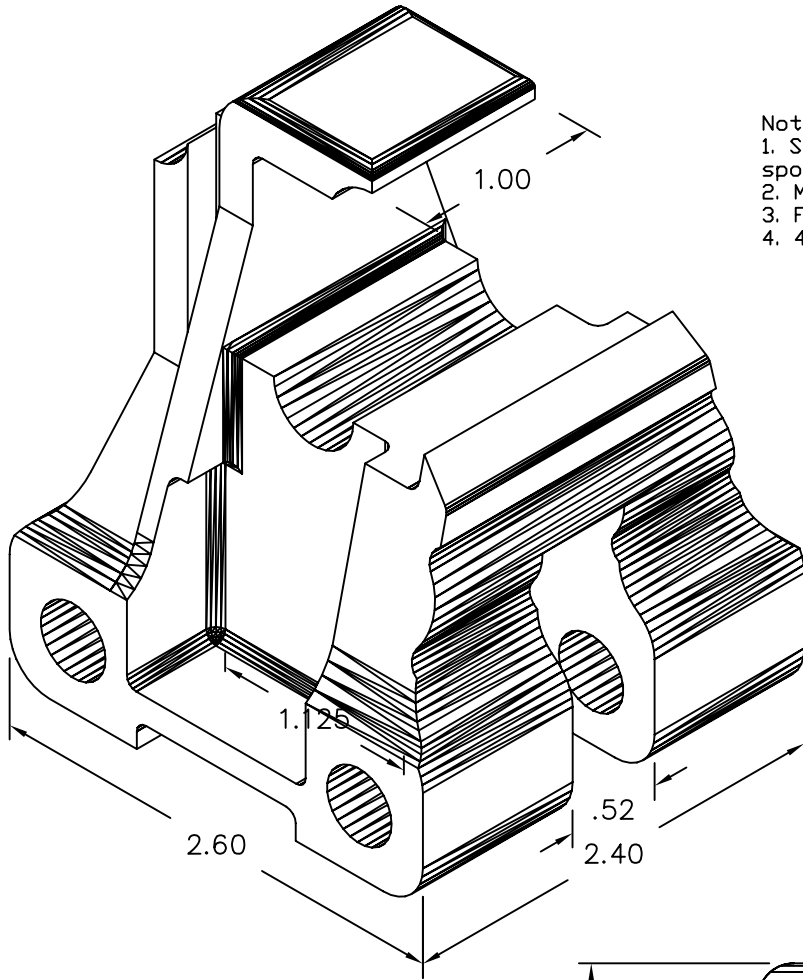
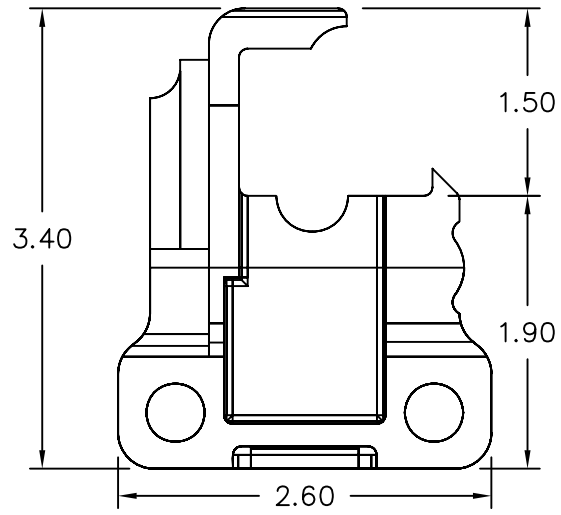
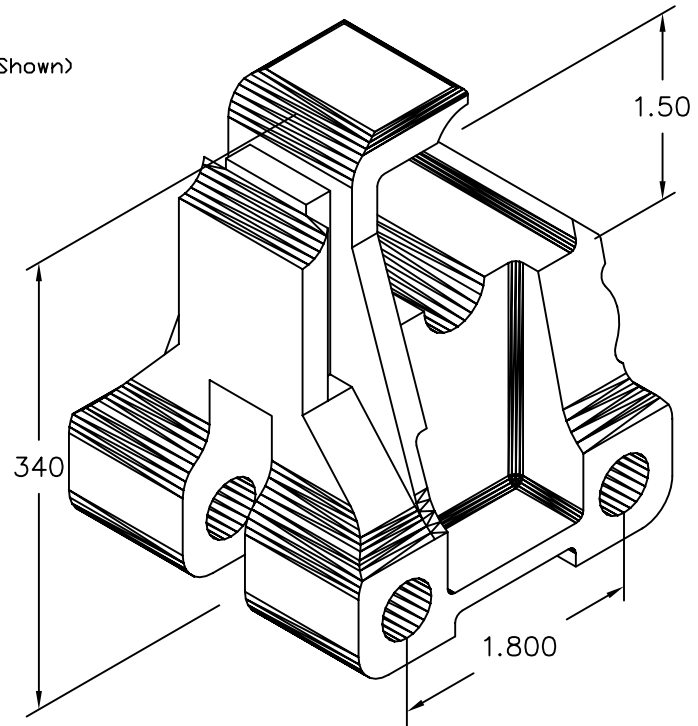


REVISIONS				
ZONE	REV	DESCRIPTION	DATE	APPROVED



- Notes:
1. Surface shall be visually free from scratches, lines, spots or other imperfections.
 2. Material: ALMAG 535
 3. Finish: Mill Finish
 4. 4 - 1" SS Set Screws Provided (Not Shown)



Distributed by: **BEST MATERIALS LLC**
 Ph: 800-474-7570, 602-272-8128 Fax: 602-272-8014
www.BestMaterials.com Email: Sales@BestMaterials.com

General Tolerance

x,x' = $\pm \frac{1}{16}$
 x/x' = $\pm \frac{1}{32}$

Work Center =

Drawn By: ADC
 DATE: 11/07/2007

BERGER
Quality Building Products Since 1874

E-RAIL SNOWGUARD CASTING

SIZE A	FSCM NO.	DWG NO. FCSTS F	REV —
SCALE: None		SHEET 1 of 1	