

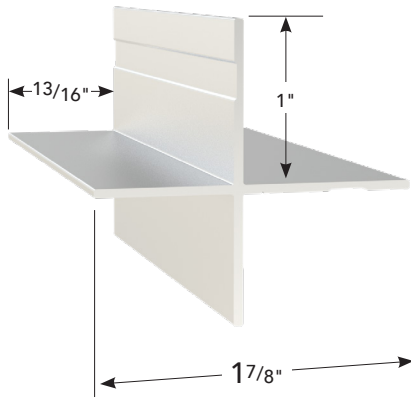
Distributed by: **BEST MATERIALS®**
 Ph: 800-474-7570, 602-272-8128 Fax: 602-272-8014
 www.BestMaterials.com Email: Sales@BestMaterials.com

BUY HERE NOW: <https://www.bestmaterials.com/detail.aspx?ID=24539>

PRODUCT DETAIL

INSTALLATION DETAIL / Cross Section

SLEEK OUTSIDE CORNER LAP



USAGE

Fry Reglet SLEEK Outside Corner Lap creates a aestetically pleasing and true abuse resistant corner that provides a termination point for the vertical ends of Lap fiber cement panels.

GUIDE SPECIFICATION

Where indicated on drawings, Fry Reglet SLEEK Outside Corner Lap, as manufactured by Fry Reglet Corporation, shall be installed. Aluminum shall be extruded alloy 6063 T5, with primed finish, clear anodized or powder coat finish. Refer to finish section page 68.

NOTE: Attach panel in accordance with the manufacturers fastening schedule. Not to be used in horizontal applications.

SIZES

REVEAL DEPTH	NUMBER
NOM. 13/16"	FCP-LPO/SCNRLAP

