

**FRY** REGLET

ENGINEERED PRODUCT SYSTEMS

**SPRINGLOK FLASHING SYSTEM** PRODUCT BROCHURE

# SPRINGLOK

Distributed by: BEST MATERIALS®  
Ph: 800-474-7570, 602-272-8128 Fax: 602-272-8014  
www.BestMaterials.com Email: Sales@BestMaterials.com

Distributed by: **BEST MATERIALS®**  
 Ph: 800-474-7570, 602-272-8128 Fax: 602-272-8014  
 www.BestMaterials.com Email: Sales@BestMaterials.com

## SPRINGLOK FLASHING SYSTEM FUNCTIONALLY UNIQUE.

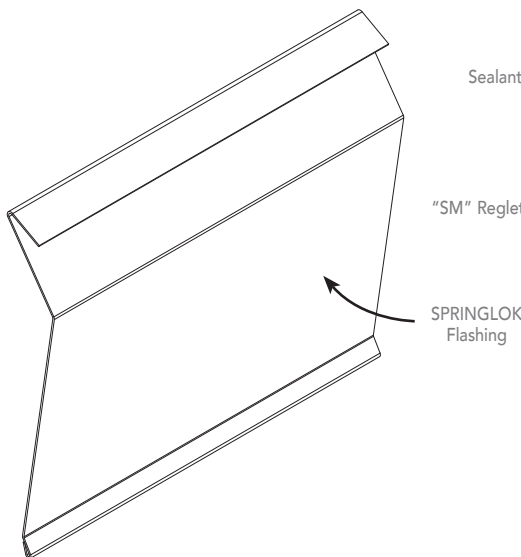
Fry Reglet comprehensive selection of moisture prevention products offer the ultimate in protection from the elements. Available nationwide in a variety of materials and finishes, Fry Reglet offers five pre-engineered flashing systems tailored for specific substrates - all designed, tested and proven to keep wind and moisture from getting under the roof. Plus, Fry Reglet provides a complete solution with drawings, installation instructions and the best technical support in the industry.

### FEATURES AND BENEFITS

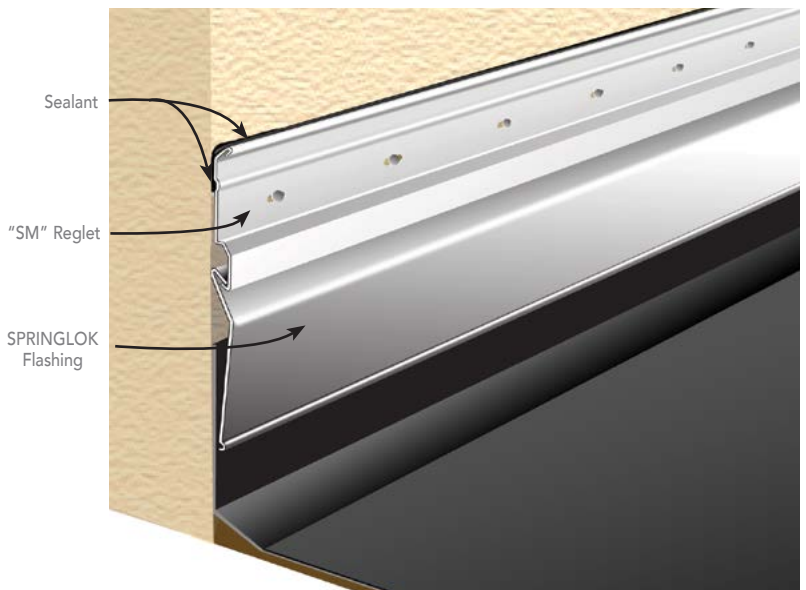
- Tested in accordance with **ASTM D3161 - Wind Resistance** to withstand *110 MPH sustained wind velocity for two hours without evidence of uplift (Class F)*
- "The Springlok flashing system is designed to hold the flashing tightly against the parapet wall".
- Reglets and flashing are roll formed to ensure precise fit and finish every time.
- Embossed end details precisely align each profile and provide an overlap for added protection against water penetration.
- Five reglet profiles are available for any type of commercial construction.

### PRODUCT DESCRIPTION:

MATERIAL	THICKNESS	FINISH	COLOR
Galvanized Steel	24 gage	Standard Zinc Finish	N/A
Galvanized Steel	26 gage	Standard Zinc Finish	N/A
Copper	16oz	Standard Uncoated Finish	N/A
Aluminum	0.025"/ 0.040"	Polyester Coating	Gray
Stainless Steel, Type 304	0.020"	Standard Uncoated Finish	N/A



**PRODUCT DETAIL**



**ASSEMBLY DETAIL  
 (SHOWN WITH SM REGLET)**



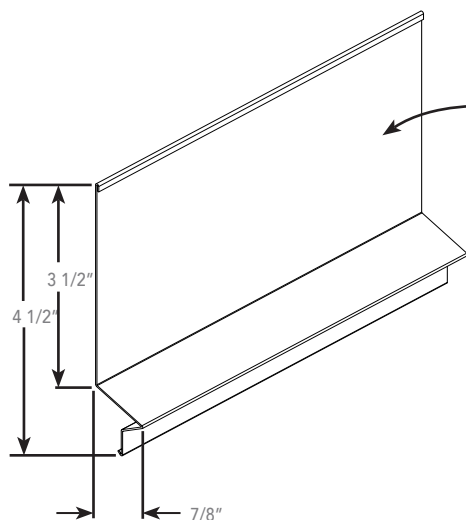
Our **NEW AND IMPROVED** STX Stucco reglet now features a 3 1/2" vertical flange that provides for an easier installation and helps prevent moisture penetration. The STX Stucco reglet is specifically engineered for stucco over block conditions, and designed to accept Springlok flashing and other flexible flashing.

**FEATURES AND BENEFITS**

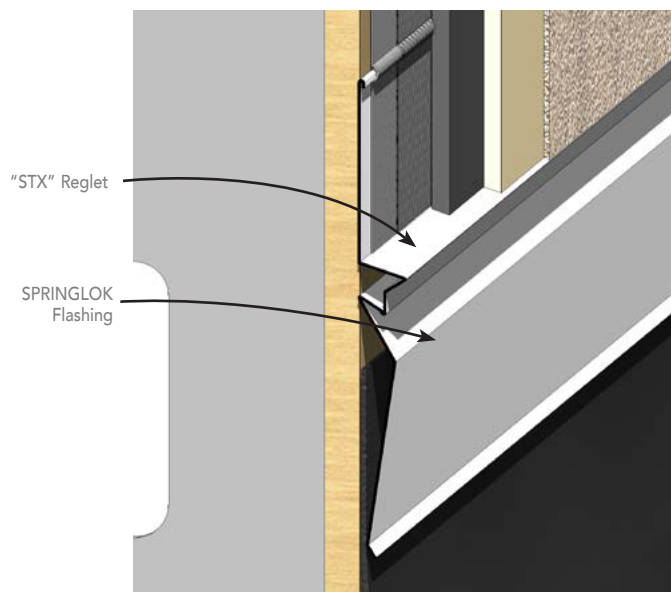
- Redesigned with 3 1/2" vertical leg for ease of installation.
- A "V" projection allows stucco to be applied directly over reglet.
- Designed to eliminate a nailer or backing strip.
- 1" end lap allows for proper alignment and eliminates leaky butt joints.
- Roll-formed to ensure precise fit every time.

**PRODUCT DESCRIPTION:**

<u>MATERIAL</u>	<u>THICKNESS</u>	<u>FINISH</u>	<u>COLOR</u>
Galvanized Steel	24 gage	Standard Zinc Finish	N/A
Galvanized Steel	24 gage	Kynar 500/Hylar 500	Specify color
Galvanized Steel	24 gage	Factory applied powder paint	Specify color
Copper	16oz	Standard Uncoated Finish	N/A
Aluminum	0.025" / 0.040"	Polyester Coating	Gray
Stainless Steel, Type 304	0.020"	Standard Uncoated Finish	N/A



**PRODUCT DETAIL**



**ASSEMBLY DETAIL**

Distributed by: **BEST MATERIALS®**  
 Ph: 800-474-7570, 602-272-8128 Fax: 602-272-8014  
 www.BestMaterials.com Email: Sales@BestMaterials.com

## "SM" SURFACE MOUNTED REGLET

SPRINGLOK

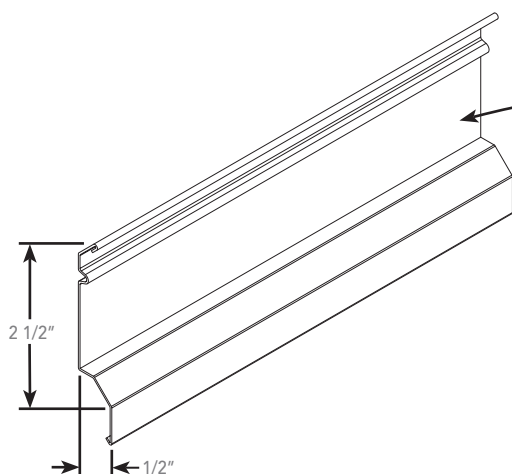
SM reglet is designed for installation on any type of parapet wall, including tilt-up panels, precast panels, masonry and other smooth surfaces. Reglets are surface mounted with drive pins which are sealed with special washers (7/8" diameter stainless steel with neoprene facing).

### FEATURES AND BENEFITS

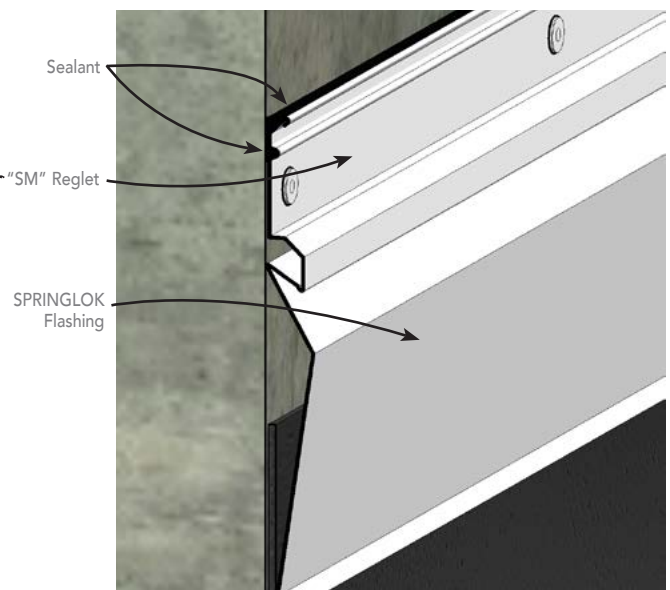
- Factory punched slots at 16" o.c. allow for expansion and contraction.
- Washers and drive pins are included.
- Design provides two grooves for application of polyurethane, polysulfide or silicone sealant.
- 1" end lap allows for proper alignment and eliminates leaky butt joints.
- Roll-formed to ensure precise fit every time.

### PRODUCT DESCRIPTION:

MATERIAL	THICKNESS	FINISH	COLOR
Galvanized Steel	24 gage	Standard Zinc Finish	N/A
Galvanized Steel	24 gage	Kynar 500/Hylar 500	Specify color
Galvanized Steel	24 gage	Factory applied powder paint	Specify color
Copper	16oz	Standard Uncoated Finish	N/A
Aluminum	0.025" / 0.040"	Polyester Coating	Gray
Stainless Steel, Type 304	0.020"	Standard Uncoated Finish	N/A



PRODUCT DETAIL



ASSEMBLY DETAIL

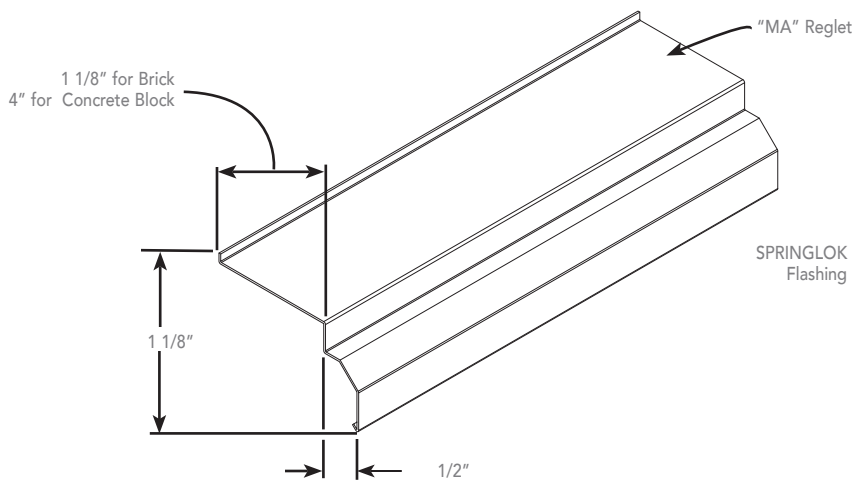
Specially manufactured for masonry applications, this reglet is laid into masonry joints and held in place with mortar.

**FEATURES AND BENEFITS**

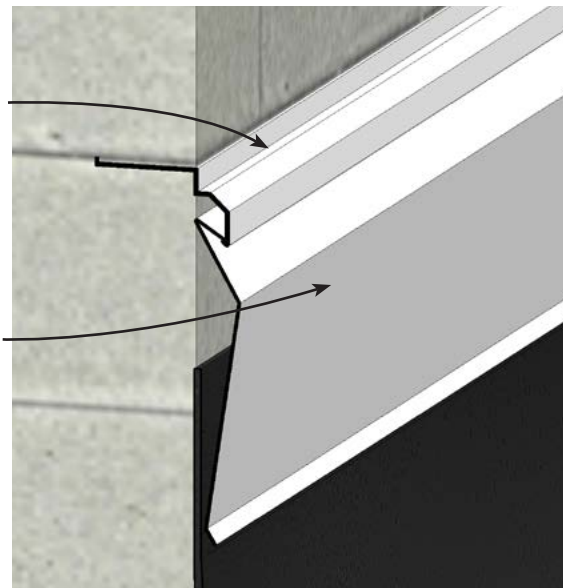
- Encasing in mortar joint prevents against water penetration
- Type MA Reglet is designed with a 1 1/2" top flange for brick construction
- Type MA-4 Reglet is designed with a 4" flange for concrete block construction
- 1" end lap allows for proper alignment and eliminates leaky butt joints
- Roll formed to ensure precise fit every time

**PRODUCT DESCRIPTION:**

<b>MATERIAL</b>	<b>THICKNESS</b>	<b>FINISH</b>	<b>COLOR</b>
Galvanized Steel	24 gage	Standard Zinc Finish	N/A
Galvanized Steel	24 gage	Kynar 500 / Hylar 500	Specify color
Galvanized Steel	24 gage	Factor Applied Powder Paint	Specify color
Copper	16oz	Standard Uncoated Finish	N/A
Aluminum	0.025" / 0.040"	Polyester Coating	Gray
Stainless Steel, Type 304	0.020"	Standard Uncoated Finish	N/A



**PRODUCT DETAIL**



**ASSEMBLY DETAIL**

Distributed by: **BEST MATERIALS®**  
 Ph: 800-474-7570, 602-272-8128 Fax: 602-272-8014  
 www.BestMaterials.com Email: Sales@BestMaterials.com

## "ST" STUCCO REGLET

SPRINGLOK

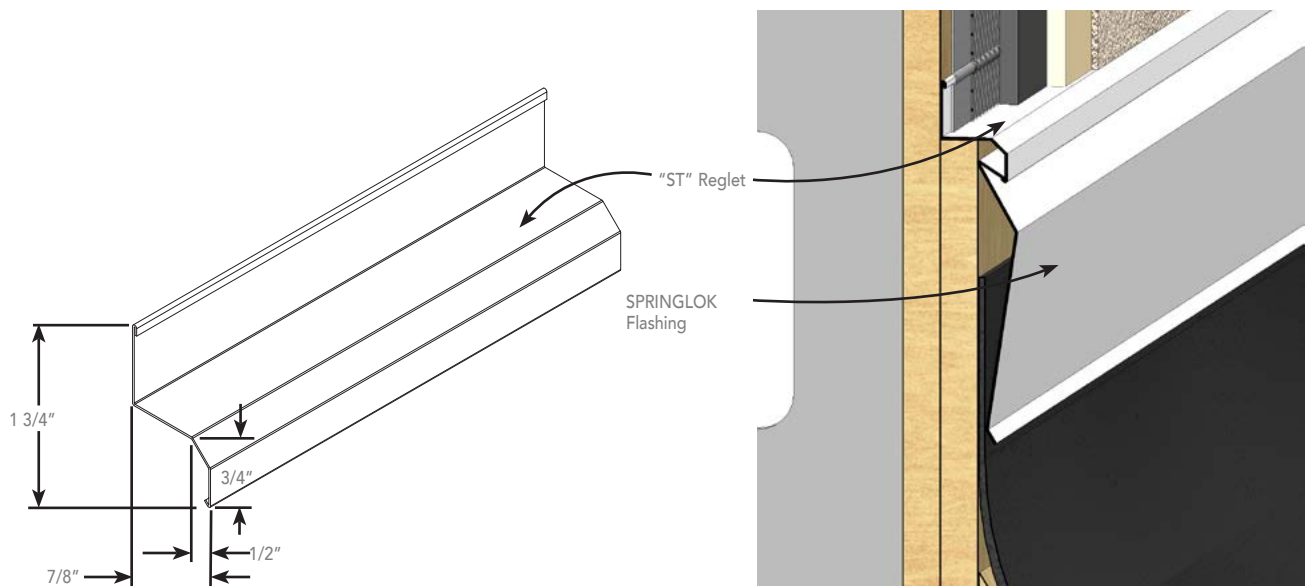
Made especially for stucco applications, the ST Stucco reglet is put in place over 3/4" baseboard prior to lathing. Springlok flashing is locked into place after the roofing paper is applied. Stucco is then applied over top.

### FEATURES AND BENEFITS

- Specifically designed for stucco applications where 3/4" baseboard is specified.
- 1" end lap allows for proper alignment and eliminates leaky butt joints
- Roll-formed to ensure precise fit every time

### PRODUCT DESCRIPTION:

MATERIAL	THICKNESS	FINISH	COLOR
Galvanized Steel	24 gage	Standard Zinc Finish	N/A
Galvanized Steel	24 gage	Kynar 500/Hylar 500	Specify color
Galvanized Steel	24 gage	Factory applied powder paint	Specify color
Copper	16oz	Standard Uncoated Finish	N/A
Aluminum	0.025"	Polyester Coating	Gray
Stainless Steel, Type 304	0.020"	Standard Uncoated Finish	N/A



PRODUCT DETAIL

ASSEMBLY DETAIL

**SPRINGLOK**

**"CO" CONCRETE REGLET**

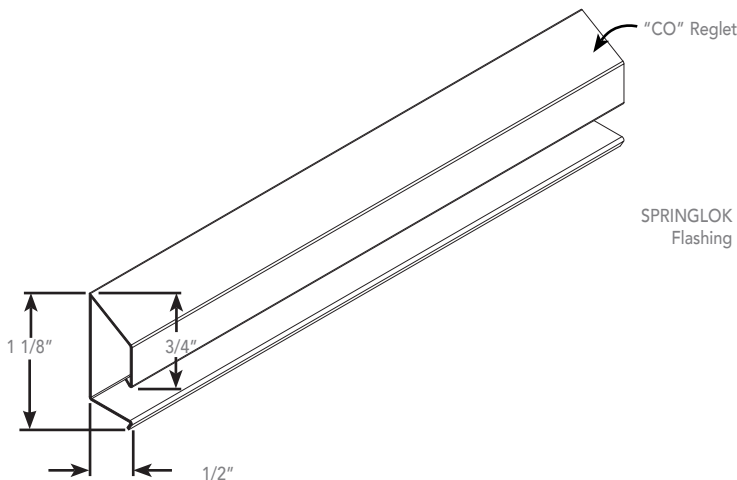
Used in poured-in-place concrete construction, this reglet is provided with a protective foam backer rod to prevent grout and concrete from entering the reglet opening.

**FEATURES AND BENEFITS**

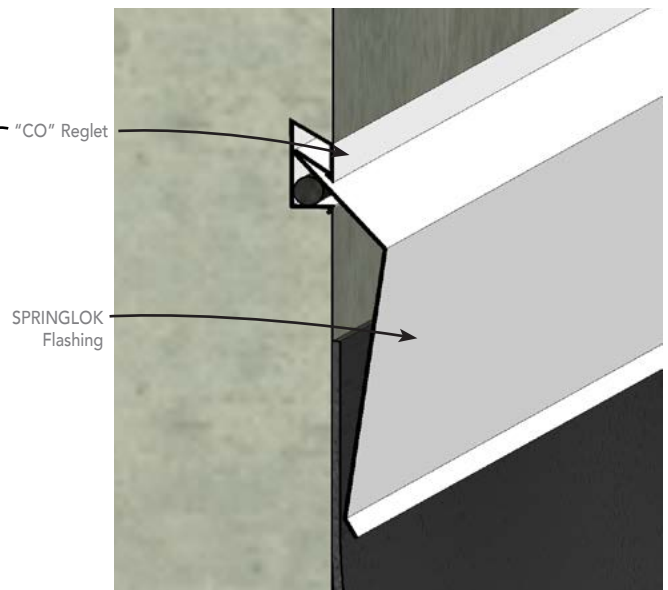
- Connector clips are included to provide positive alignment at joints
- Special staples are provided to simplify installation
- 1" end lap allows for proper alignment and eliminates leaky butt joints
- Roll-formed to ensure precise fit every time

**PRODUCT DESCRIPTION:**

<b>MATERIAL</b>	<b>THICKNESS</b>	<b>FINISH</b>	<b>COLOR</b>
Galvanized Steel	26 gage	Standard Zinc Finish	N/A
Copper	16oz	Standard Uncoated Finish	N/A
Aluminum	0.025"	Polyester Coating	Gray
Stainless Steel, Type 304	0.020"	Standard Uncoated Finish	N/A



**PRODUCT DETAIL**



**ASSEMBLY DETAIL**

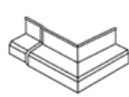
Distributed by: **BEST MATERIALS®**  
 Ph: 800-474-7570, 602-272-8128 Fax: 602-272-8014  
 www.BestMaterials.com Email: Sales@BestMaterials.com

## ACCESSORIES

**SPRINGLOK**

### FACTORY FABRICATED REGLET CORNERS

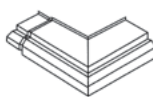
- Factory fabricated reglet and flashing corners are mitered and sealed to help reduce installation time.
- Reglet corners are available in all material except aluminum. Flashing corners are available in all materials.



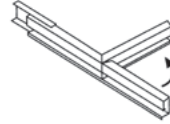
STUCCO  
REGLET  
OUTSIDE CORNER



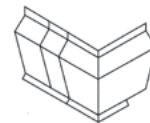
SURFACE MOUNTED  
REGLET  
INSIDE CORNER



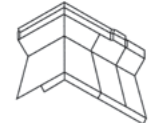
MASONRY  
REGLET  
OUTSIDE CORNER



CONCRETE  
REGLET  
OUTSIDE CORNER



FLASHING  
OUTSIDE CORNER



FLASHING  
INSIDE CORNER

### COLOR REGLETS & FLASHING

- Reglets and flashing are available with factory applied powder paint finishes in all standard colors.
  - Special order pre-coated flashing and reglets in factory applied Kynar 500/Hylar 500 finishes.
- Contact Fry Reglet for colors, lead times and minimum order requirements.

### CONCRETE REGLET ACCESSORIES

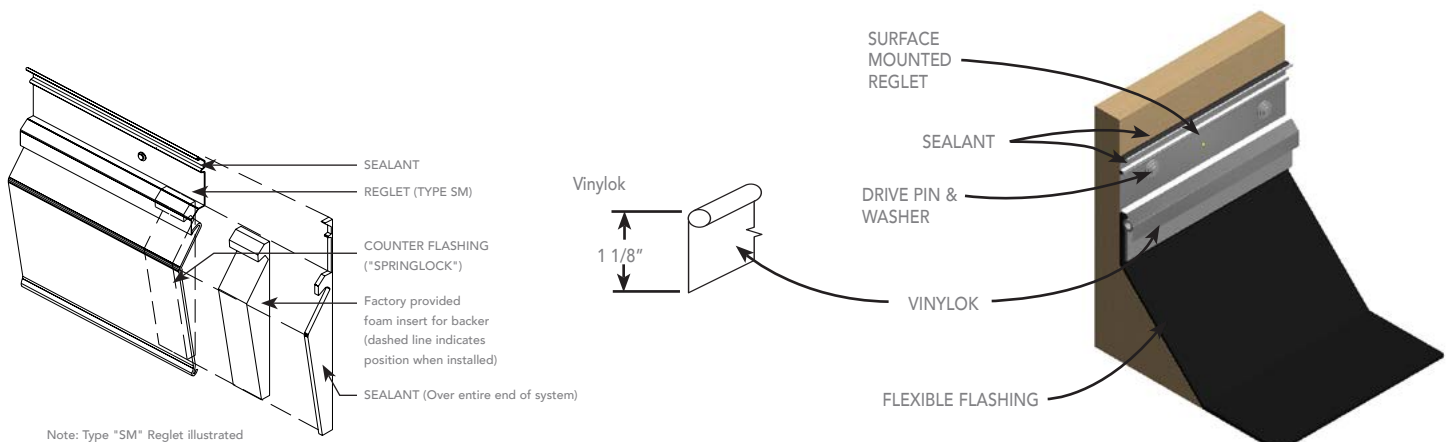
- Connector clips provide positive alignment at joints and prevent concrete leakage during pouring.
- Installation staples secure reglet to forms prior to pouring.

### WINDLOK CLIP

- Optional pre-drilled 1 1/4" x 2 1/2" stainless steel metal straps designed to improve flashing performance in high wind locations by locking lower edge of flashing. Suitable for use with all reglets.

### VINYLOK FLASHING RETAINER

- Polyvinyl chloride Vinylok flashing retainer designed for tight spaces between parapet and cant strip where standard flashing will not fit.
- For use with ST stucco, STX stucco, MA masonry and SM surface mount reglets. Not for use with CO concrete reglet.
- Flexible flashing is installed to contact reglet. Vinylok retainer is pressed into area with "tail" flat against flashing.



Note: Type "SM" Reglet illustrated

**SPRINGLOK FLASHING END CAP**
**PRODUCT DETAIL**
**ASSEMBLY DETAIL**