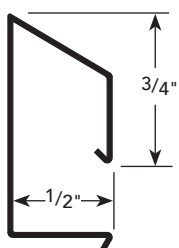


Buy Here Now:
<http://www.bestmaterials.com/detail.aspx?ID=10333>

PRODUCT DETAIL



USAGE
 For use with poured-in-place concrete construction, this reglet is covered with a protective foam backer rod to prevent grout and concrete from getting into the reglet opening.

Connector clips are supplied to provide positive alignment at joints and prevent concrete leakage during pouring. Special staples are supplied to aid installation.

This system is not recommended for tilt-up construction; use SM surface mounted reglet instead.

MATERIALS & FINISHES

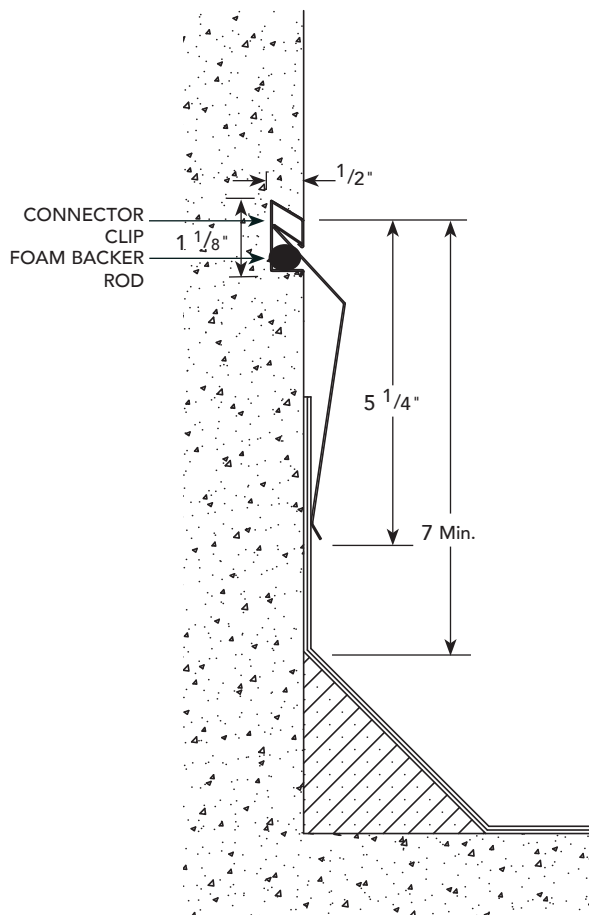
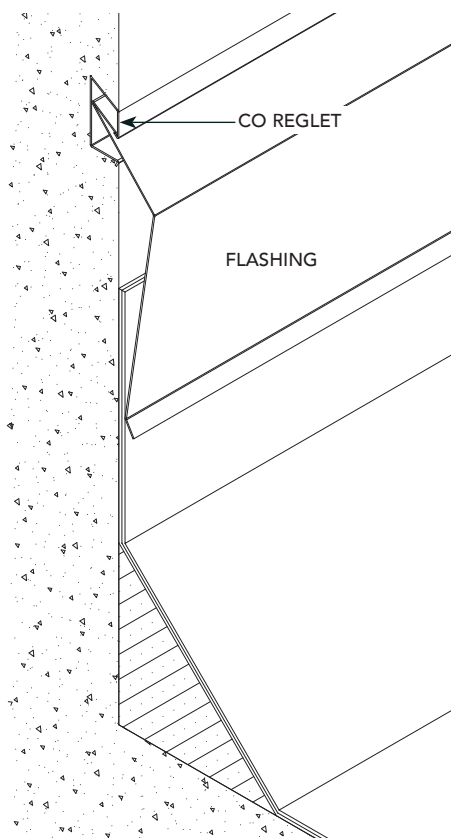
MATERIAL & THICKNESS

- Galvanized steel – 26 ga.
- Copper – 16 oz.
- Aluminum – 0.025"
- Stainless steel, Type 304 – 0.020"

FINISH & COLOR

- Galvanized steel – Standard zinc finish
- Copper – Standard uncoated finish
- Aluminum – Gray polyester coating
- Stainless steel, Type 304 – Standard uncoated finish

INSTALLATION DETAIL



*Actual dimension between wall and the inside flange of reglet is 3/8".
 See separate sheet for product installation instructions. Drawings are not to scale.