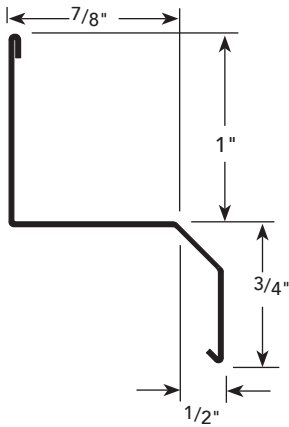


Buy Here Now:
<http://www.bestmaterials.com/detail.aspx?ID=11642>

PRODUCT DETAIL



USAGE
 Made especially for stucco applications, the reglet is put in place over 3/4" baseboard prior to lathing, and the Springlok flashing is locked into place after the roofing paper is applied. Then stucco is applied over the top.

This system requires a backing (nailer) with sufficient depth to support the reglet and provide tension to create the proper fit.

MATERIALS & FINISHES

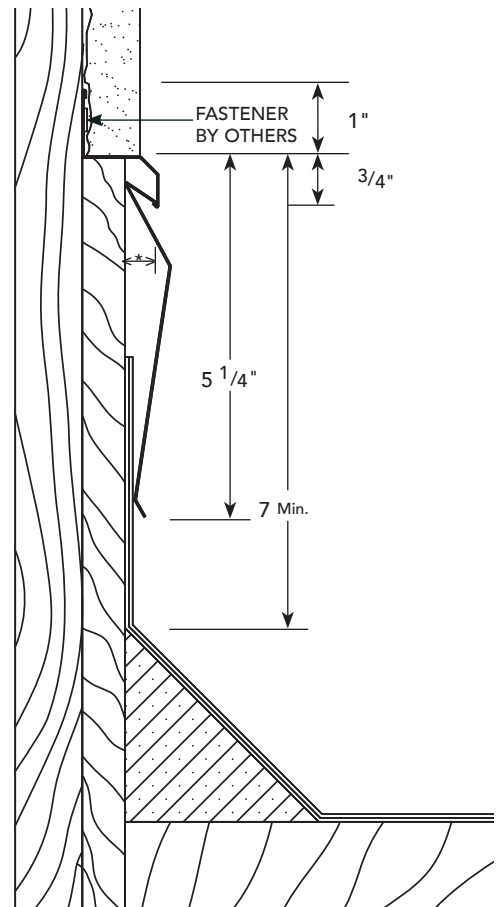
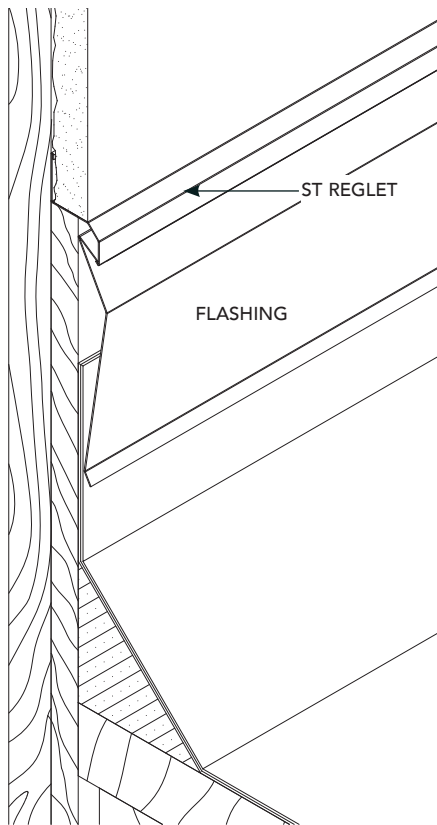
MATERIAL & THICKNESS

- Galvanized steel – 24 ga.
- Copper – 16 oz.
- Aluminum – 0.025"
- Stainless steel, Type 304 – 0.020"

FINISH & COLOR

- Galvanized steel – Standard zinc finish
- Galvanized steel – Factory applied Kynar 500/Hylar 500 finish
- Copper – Standard uncoated finish
- Aluminum – Gray polyester coating
- Stainless steel, Type 304 – Standard uncoated finish

INSTALLATION DETAIL



*Actual dimension between wall and the inside flange of reglet is 7/8".
 See separate sheet for product installation instructions. Drawings are not to scale.