

Distributed by: **BEST MATERIALS**®
 Ph: 800-474-7570, 602-272-8128 Fax: 602-272-8014
 www.BestMaterials.com Email: Sales@BestMaterials.com

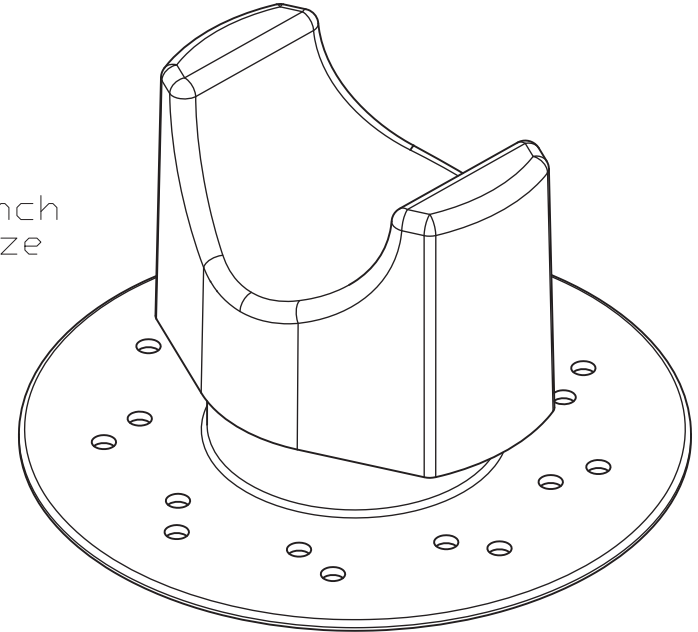
REVISIONS				
ZONE	REV	DESCRIPTION	DATE	APPROVED

Ø3.00" support for 2½-inch nominal pipe size

2.5/3.5

Ø7.00

Adjustable



FILE NAME 2011	3400 Covington Road		
CONTRACT NO KnuckleHeads	Kalamazoo Michigan 49001 USA		
DRAWN 8/1/2017	(269)743-3368	(888) 672-9897	
CHECK OP	Heavy Pipe KnuckleHead		
APPR.			
ISSUED 8/1/2017			
Reinforced Nylon	SIZE	FSCM NO	DWG NO
		-	2011 Heavy Pipe [B] Knucklehead Heavy Pipe Assy.dwg
Third angle projection not applicable	SCALE Not to scale	WEIGHT	SHEET 12