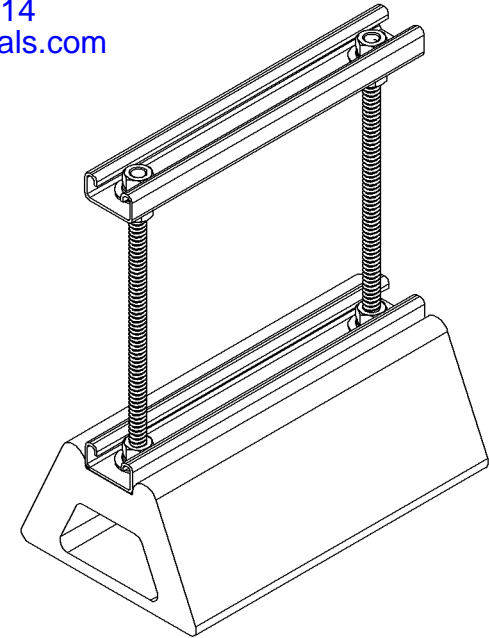
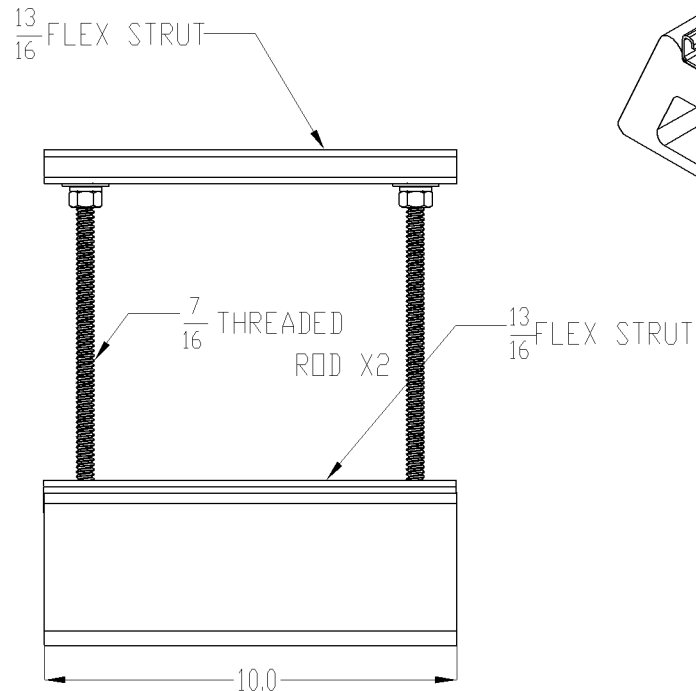
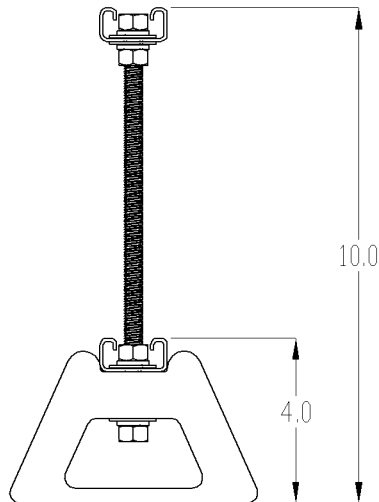
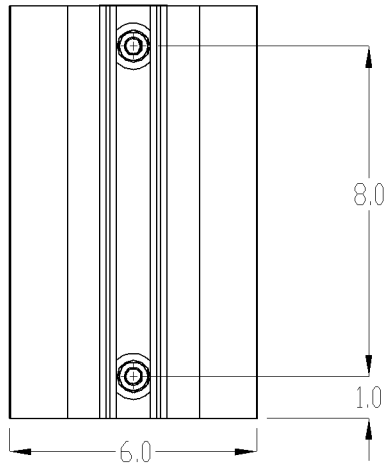


Distributed by: BEST MATERIALS LLC
 Ph: 800-474-7570, 602-272-8128 Fax: 602-272-8014
 www.BestMaterials.com Email: Sales@BestMaterials.com



APPLICATIONS

- DESIGNED SPECIFICALLY FOR COMMON ROOFTOP PIPE SIZES $\frac{1}{2}$ TO 6 INCHES IN DIAMETER.
- CAN SUPPORT A SINGLE PIPE OR MULTIPLE PIPES.
- HEIGHT ADJUSTABLE FROM 4 TO 10 INCHES.
- MAXIMUM LOAD CAPACITY PER SUPPORT - 160 LBS.

NOTES:

1. REFER TO ROOF MEMBRANE MANUFACTURER FOR THEIR APPROVED INSTALLATION DETAIL.
2. MADE WITH EPDM AND GALVANIZED COMPONENTS.



PipeGuard
 ROOFTOP PIPE SUPPORTS

OMG Inc.
 153 Bowles Road
 Agawam, MA 01001
 800-633-3800
 info@olyfast.com
 www.olyfast.com

NAME: Height Adjustable Strut Model PipeGuard			
DRWN. BY: JLM	DATE: 03/07/12	SKU: PGSTRUT10X10HA-BK	
APPD. BY: DG	DATE:	SCALE: NOT TO SCALE	SHEET: 1 OF 1