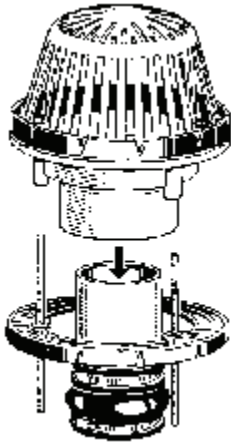
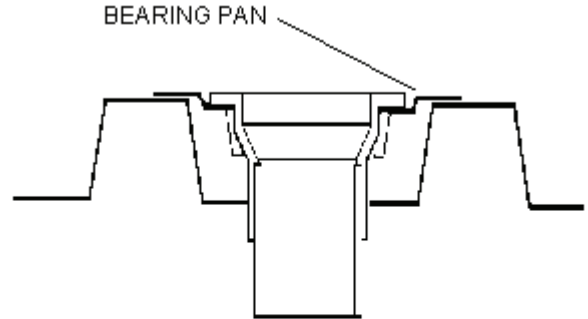


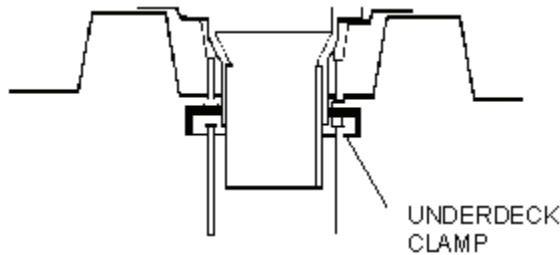
Installation Instructions



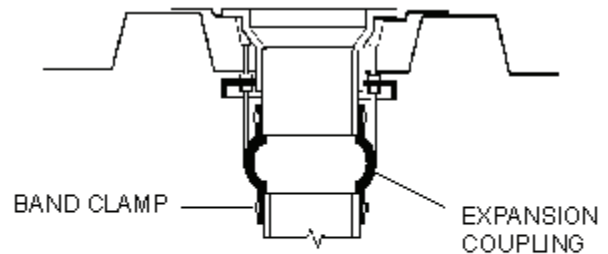
STEP 1
ENSURE DRAINS ON
JOBSITE ARE THE
APPROPRIATE SIZE



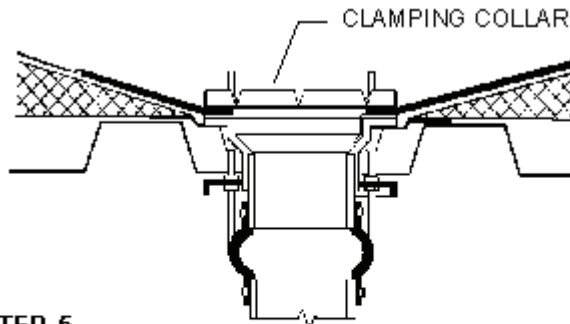
STEP 2
INSTALL BEARING PAN (If necessary or required)
The bearing pan permits the roof drain to be installed level
with the top of the roof deck eliminating strain on the
membrane around the roof drain flange.



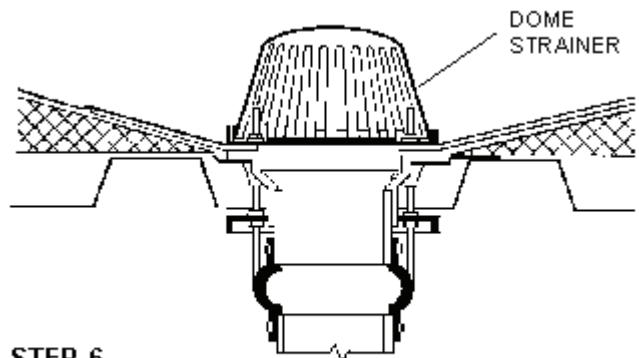
STEP 3
INSTALL UNDERDECK CLAMP
The UnderdeckClamp securely fastens the drain body to the
roof deck. The four threaded rods fasten to the down side of
the drain body. The Underdeck Clamp fastens to the bottom
of the threaded rods.



STEP 4
INSTALL EPDM CONNECTOR
The Expansion coupling easily connects the new drain to the
plumbing line, utilizing two stainless steel band clamps.



STEP 5
INSTALL CLAMPING COLLAR
Depending on the roof system and application, the clamping
collar/Gravel Guard clamps and secures the roof membrane
in place. Utilize a water block per Roof Manufacturer
recommendations.



STEP 6
INSTALL DOME STRAINER
Attach Dome strainer to Gravel Guard using the three bolts.